

# Drop-in Bath

## Installation Manual

---

### Important

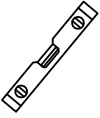
- Thoroughly inspect your product before proceeding with the installation.
- The warranty will be void if the product is installed with a defect.

### Caution

- Read all instructions carefully before starting the installation.
- Save this manual for future reference

# Tools & Materials

---



Level



Tape Measure



Caulking



Screws



Drill



Jigsaw



Pencil

## Site Preparation:

Before proceeding amend your subfloor as needed. Ensure it is level, free of damage and provides adequate support. The floor under the bath must be capable of supporting 50lb./ft<sup>2</sup> or 240 kg M<sup>2</sup>.

### Important:

Do not build the framework for the island prior to receiving the bathtub. Each bathtub is hand finished and will have minor variations in overall dimensions and the supporting framework needs to be built specifically to the bathtub. Ensure you leave appropriate space for the adhesive and tile.

### Installation:

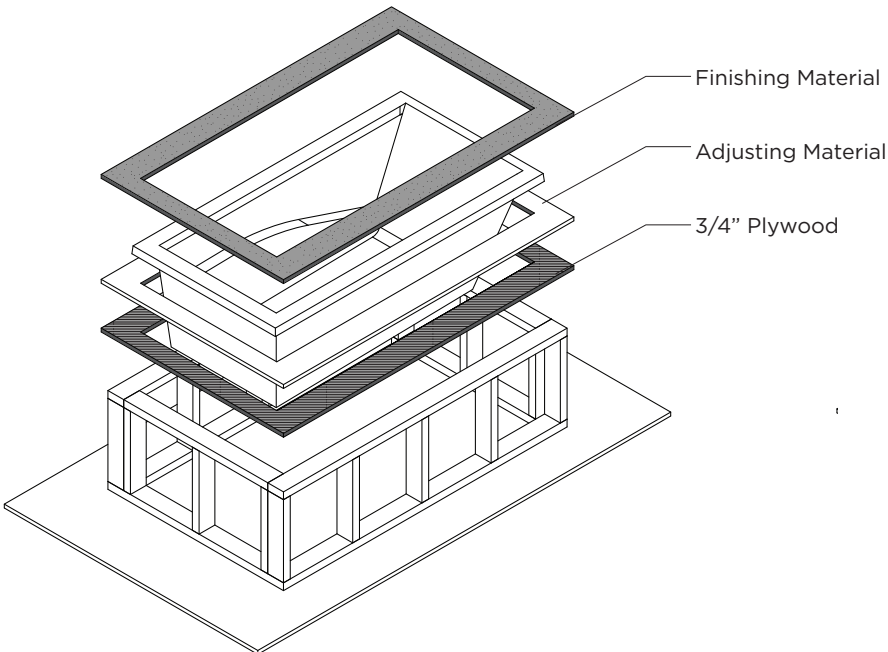
Build the framework to support the bathtub. The bathtub must be in contact with the floor for support. It cannot be suspended above the floor by the framework alone. Incorrectly supporting the bathtub will lead to damage not covered under the warranty. Ensure the island framework is covered with a minimum ¾" thick piece of plywood.

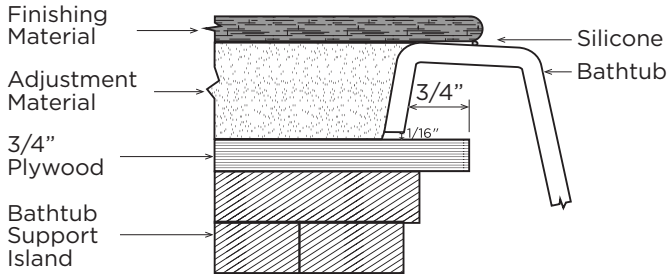
# Drop-in or Undermount

Most drop-in bathtubs can be used in an under-mount application. For an under-mount installation of a drop-in bathtub the basic installation of a standard drop-in tub should be followed however; an additional adjustment layer will be required between the plywood decking and underneath the finishing layer. Please follow the images below as an example.

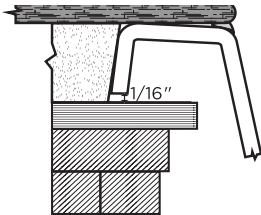
## Undermount Installation

The top deck of the bathtub has a slight slope to ensure proper drainage in the event that water splashes on the top deck. As a result, there may be a minor space of 1/16" to 1/8" between the bathtub and the finished surface. When installed as an under-mount this will create a seam that must be sealed with a high quality mildew resistant silicone. There are three different methods of installing an under-mount tub. Refer to the diagrams below as an installation aid:

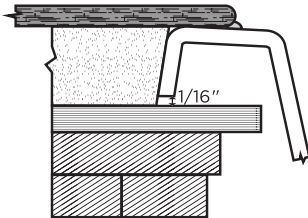




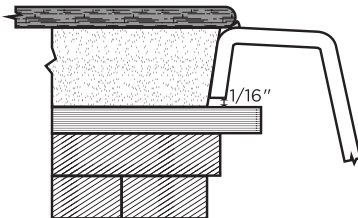
No Reveal



Exposed Deck Installation



Slight Reveal

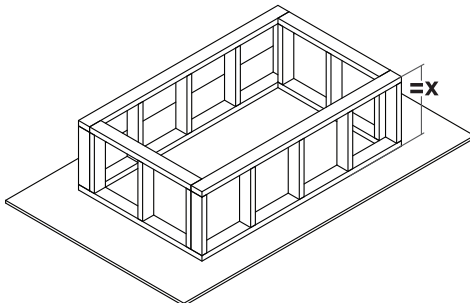
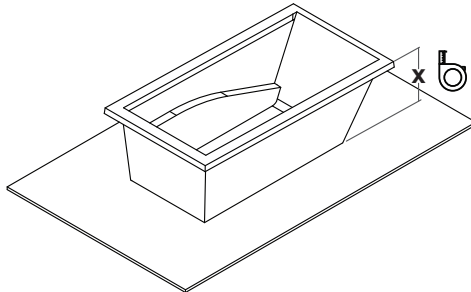
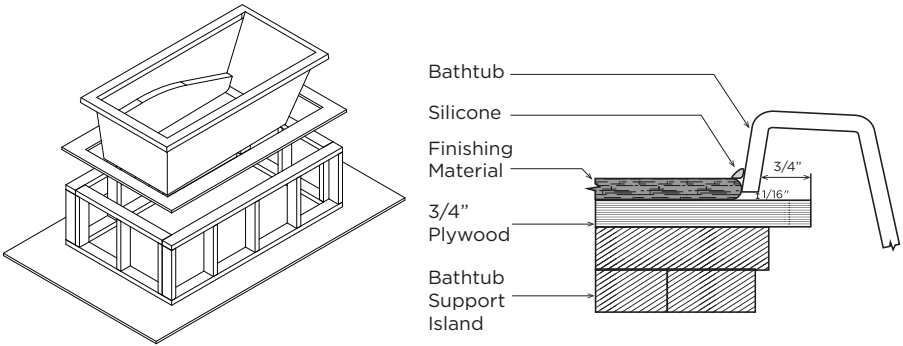


# Drop-in Installation: Step 1

---

Build the framework to support the bathtub. The bathtub must be in contact with the floor for support. It cannot be suspended above the floor by the framework alone.

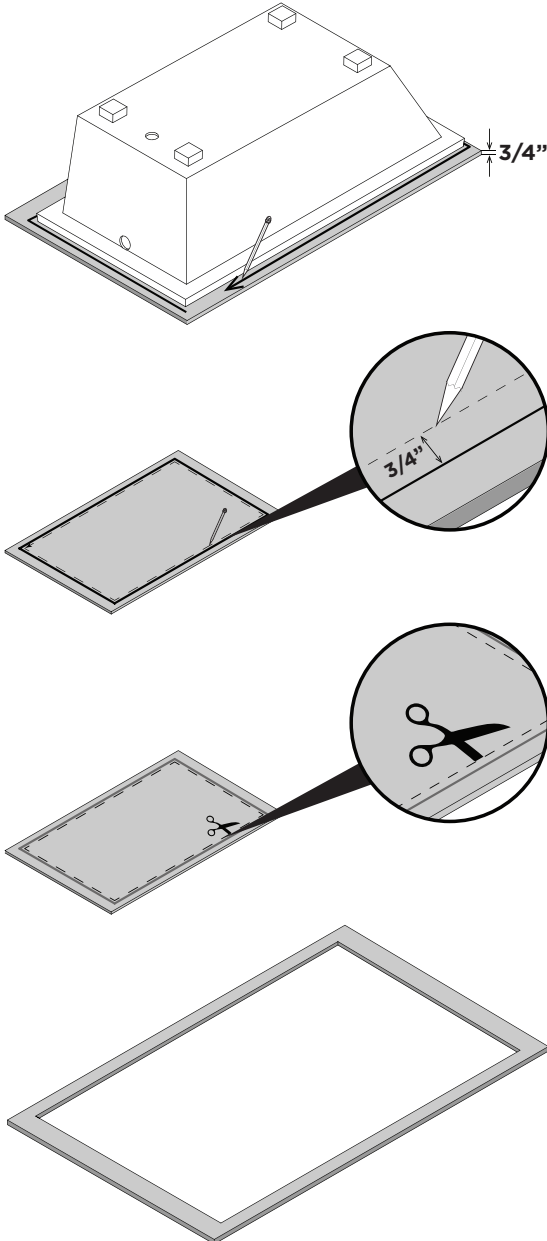
Incorrectly supporting the bathtub will lead to damage not covered under the warranty. Ensure the island framework is covered with a minimum  $\frac{3}{4}$ " thick piece of plywood.



## Drop-in Installation: Step 2

---

Mark the outside edge of the bathtub onto the plywood. Cut  $\frac{3}{4}$ " inside the traced line, so you leave  $\frac{3}{4}$ " of material to support the bathtub lip around the entire bathtub perimeter.

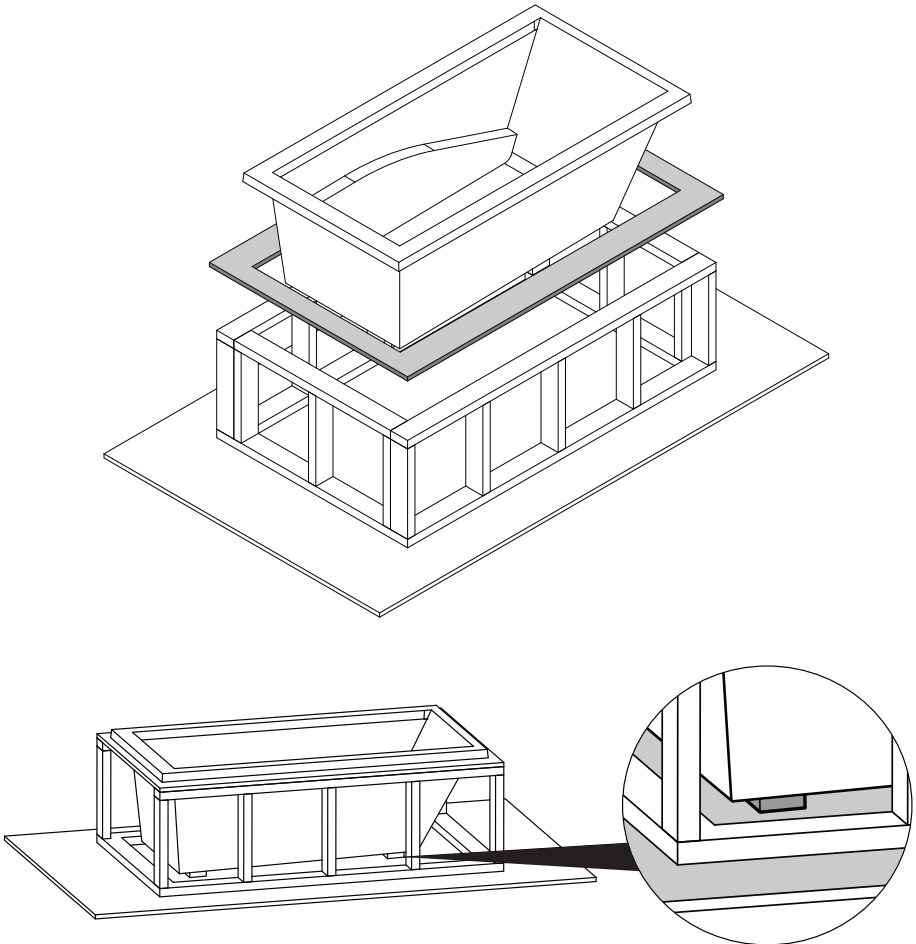


## Drop-in Installation: Step 3

---

Test fit the bathtub into the island and ensure that the bathtub is level, rests on the floor, and drains properly. Shim the legs of the bathtub if necessary. The weight of the bathtub should be entirely on the floor. The bathtub should not be suspended from the top deck.

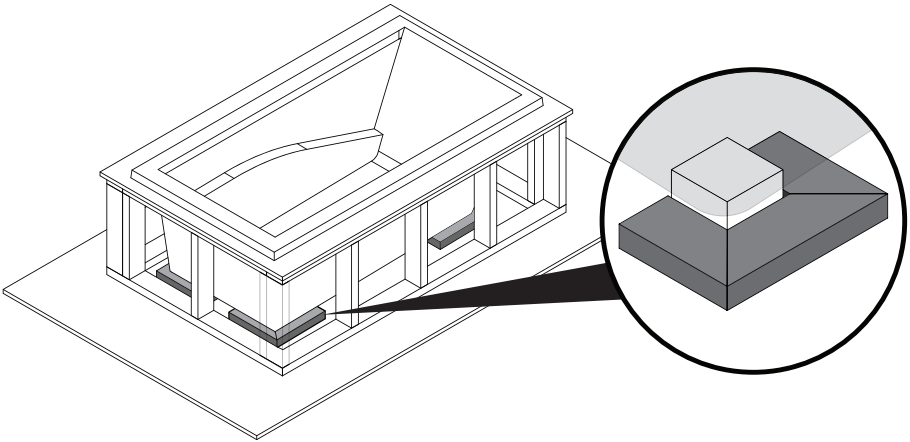
Acritec bathtubs are designed to be self-supporting; a mortar bed is not necessary, but can be used if desired.



# Drop-in Installation: Step 4

---

Wood blocks should be attached to the floor around the bottom of the bathtub to lock it into place.



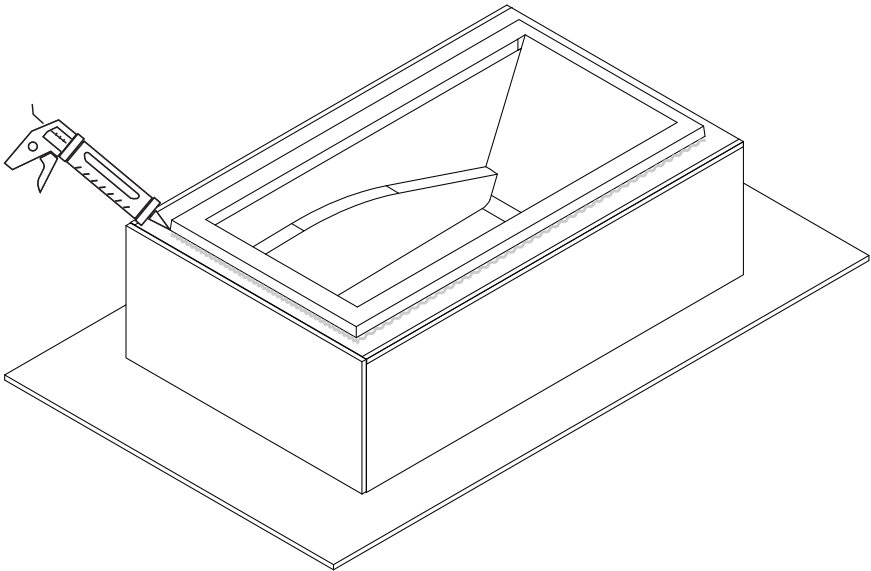


## Drop-in Installation: Step 5

---

Once the island has been tiled, seal the seam between the bathtub lip and deck, with high quality mildew resistant silicone sealant.

Should have a gap of approximately  $\frac{1}{8}$  inch between the finished surface and the bathtub lip





**Acritec Industries Corp.**

27049 Gloucester Way  
Langley, B.C. V4W 3Y3

**Tel:** 604.607.0856

**Fax:** 604.607.0857

**Email:** [customerservice@acritec.com](mailto:customerservice@acritec.com)

**Website:** [www.acritec.com](http://www.acritec.com)