



Sherin

Product # 44333

67" x 29 ½" x 27 ½" | Immersion Depth: 16"

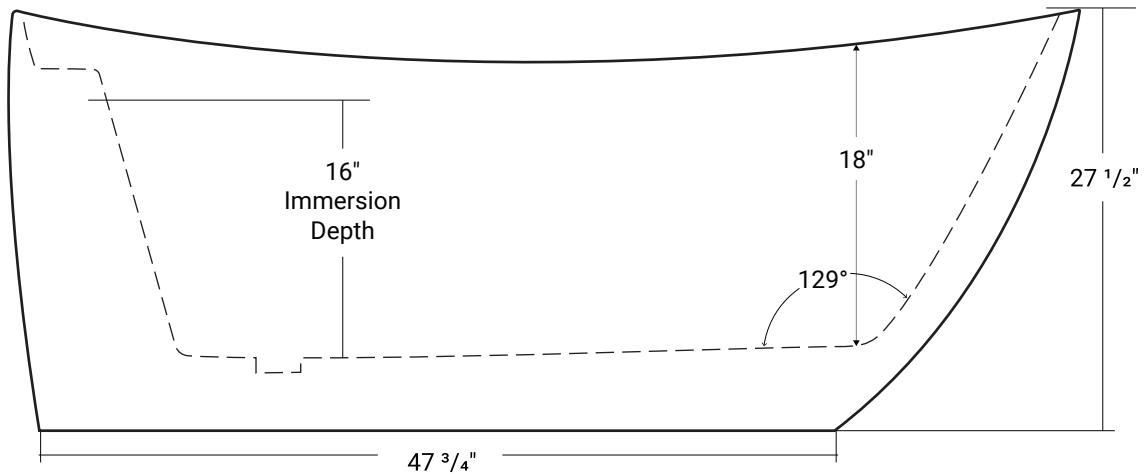
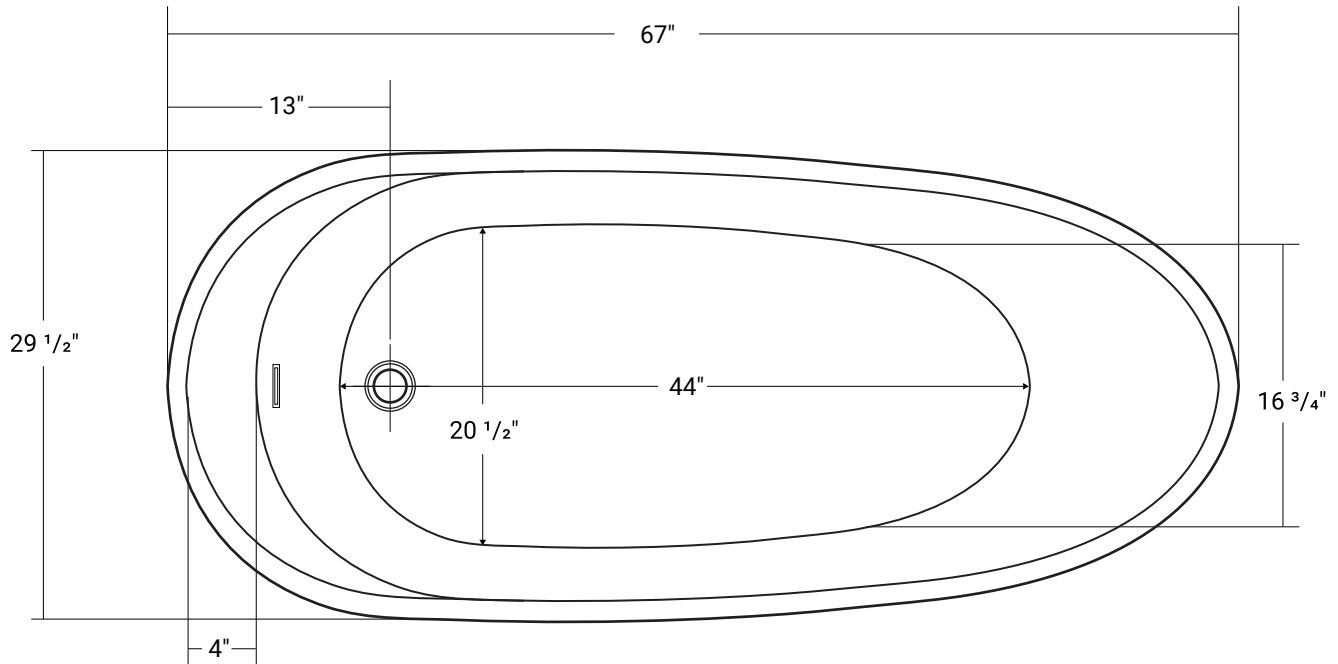
Product Specifications

- Seamless one-piece design
- 100% Acrylic with fiberglass & steel reinforcement
- Bathtub is shipped with drain assembly not installed
- Leveling feet included
- Integral overflow channel
- Deck mount faucet compatible
- Drain hole: 2"
- Weight: approx. 141 lbs
- Water capacity: approx 65 US Gallons
- 1 year limited manufacturer's warranty included

Available Upgrades

- Roughin EZ Drain Kit (Part #01086)
- Comfortwarm™ (Part #01040-01)
- VIBE Sound

*** For all Freestanding Tubs, blowers can only be remotely located.**



Acritec Industries Corp.

27049 Gloucester Way
Langley, B.C. V4W 3Y3

Tel: 604.607.0856

Fax: 604.607.0857

Email: info@acritec.com

Website: www.acritec.com

In keeping with our policy of continuing product improvement, Acritec Industries Corp. reserves the right to change product specifications without notice.

Important

*While we strive to provide accurate measurements for our customers, sometimes mistakes happen. Our goal is to help things run smoothly from shipment to installation, so if you notice any errors in our spec sheets, please let us know.

Our products are handmade & hand finished so you can expect a tolerance of $\pm \frac{1}{4}$ " on all measurements. We strongly recommend waiting until your ordered product is on-site before attempting any rough-in carpentry or plumbing.

If you want to verify any of our measurements, please feel free to call or email us.

*Drawings are not to scale

