



# DIGNITY / FREEDOM / PRIDE

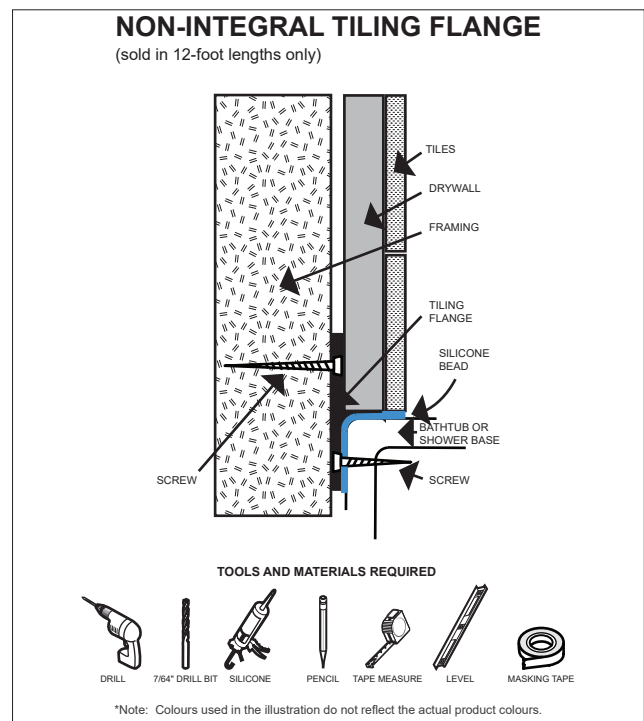
## BATHTUB INSTALLATION INSTRUCTIONS

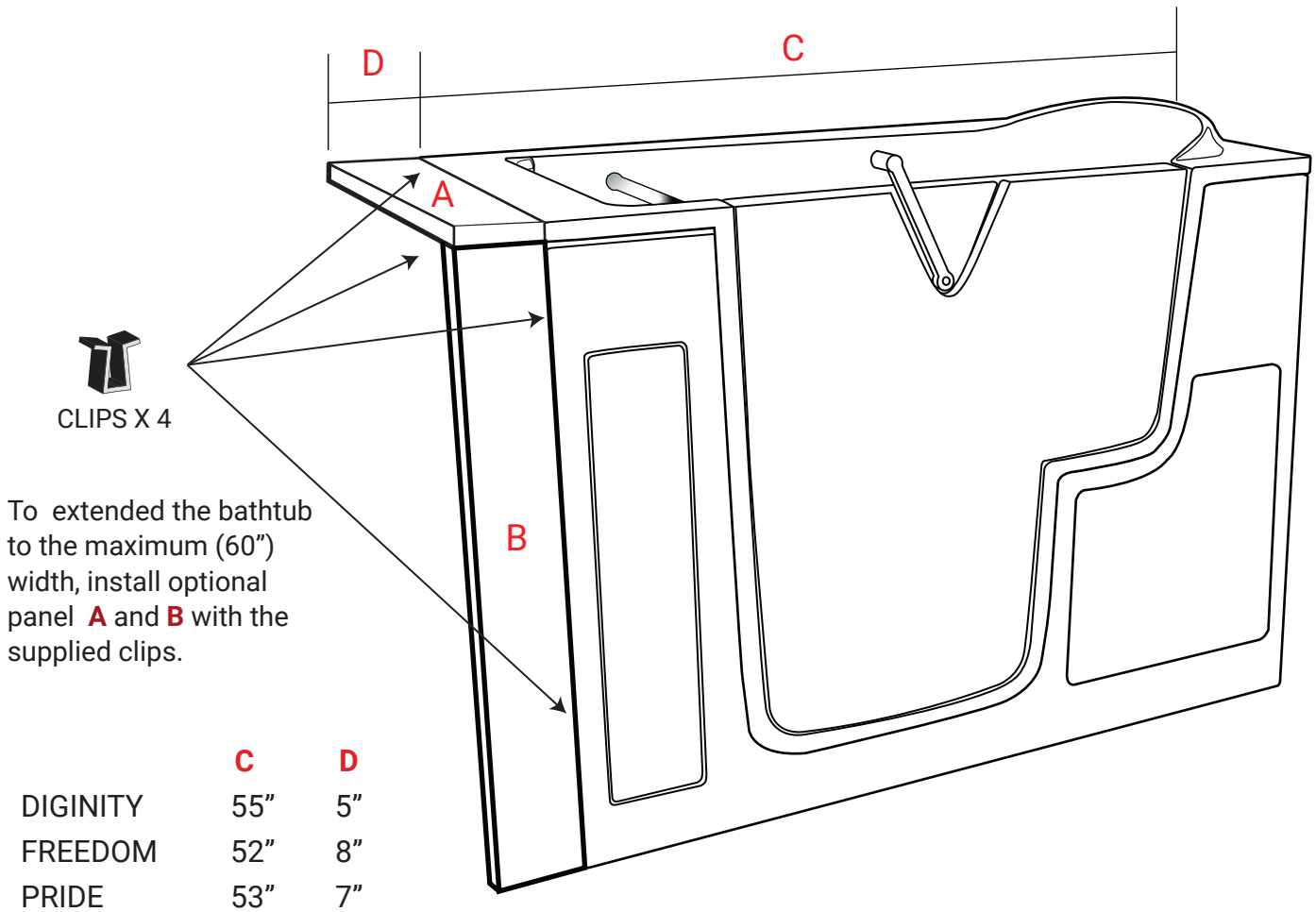
The bathtub supports have been preleveled for easy installation on a level floor without any shimming. However, you may require shims if the floor is not level. We recommend that you use hardwood shims.

The tub is secured by drilling the tiling flange wherever there are studs and securing it directly to the studs with drywall screws.

### INSTALLATION INSTRUCTIONS TILING FLANGE

- Drill pilot holes every 12 inches or less on the tiling flange. This ensures that the flange does not pull away from the base/bathtub and the silicone bond is not compromised when screwed.
- Ensure that the tiling flange and base/bathtub are free of all dust, oil, debris, or any other surface film prior to applying the silicone.
- Apply silicone sealant to the entire flange surface that will contact the base/bathtub.
- Position the tiling flange on the base/bathtub and temporarily secure in place with masking tape.
- Fasten the tiling flange to the base/bathtub using #6 1-inch screws. Use #6 x 1½-inch screws to fasten the tiling flange to the framing.
- Allow silicone sealant to fully set then remove any excess, check for gaps and touch up as necessary.





To extend the bathtub to the maximum (60") width, install optional panel **A** and **B** with the supplied clips.

The balance of the installation (gyproc, finishing material, tile) would be done as with a standard bathtub.

If you are going to be installing faucets, grab bars or additional hand-held showers, be sure to put in the necessary backing to make the final installation easy.

\*\*\*\* Note: We highly recommend that the faucet you install has a thermostatic control to avoid any accidental scalding from water that is too hot.

Your walk-in bathtub door has a silicone gasket that needs no maintenance, but should be kept clean and thoroughly wiped down after every use. We recommend that the bathtub door be left open after every use to avoid constant pressure on the gasket.

For ease of installation, the skirt has already been installed on the bathtub for you. There is a small access panel to service the lock if it is ever required.

Reasonable care and maintenance should give you years of enjoyment from your bathtub.