

# Roughin EZ

## Installation Manual

---

### Important

- Thoroughly inspect your product before proceeding with the installation.
- The warranty will be void if the product is installed with a conspicuous defect.

### Caution

- Read all instructions carefully before starting the installation.
- Save this manual for future reference.

### **Acritec Industries Corp.**

27049 Gloucester Way  
Langley, BC V4W 3Y3

**Tel:** 604.607.0856

**Fax:** 604.607.0857

**Email:** [info@acritec.com](mailto:info@acritec.com)

**Website:** [www.acritec.com](http://www.acritec.com)

In keeping with our policy of continuing product improvement, Acritec Industries Corp. reserves the right to change product specifications without notice.

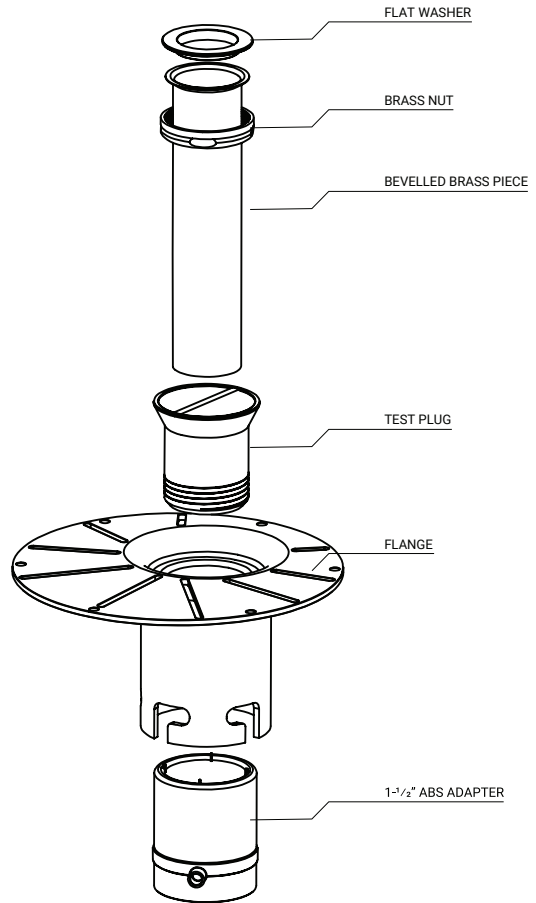
## Before You Begin

Before starting your installation, please take a few minutes to read these instructions carefully. Ensure that the correct item has been received as ordered.

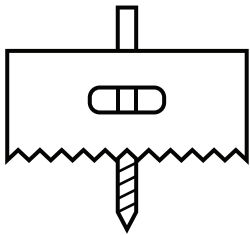
Consult local building/plumbing codes and ensure that the installation complies with local standards.

Remove the item from its packaging and inspect it thoroughly for damage and defects. Damage claims must be made directly to the freight carrier. Defective or damaged items must not be installed.

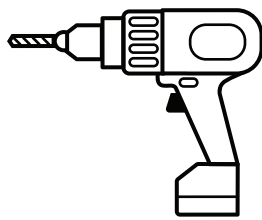
## Included Pieces



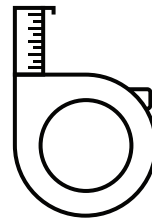
## Tools & Materials



4" Hole Saw



Drill



Tape Measure



ABS Glue



(Included)

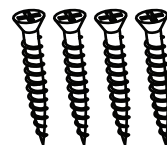
Lubricant



Pipe Cutters



Channel Locks



(Not Included)

Screws

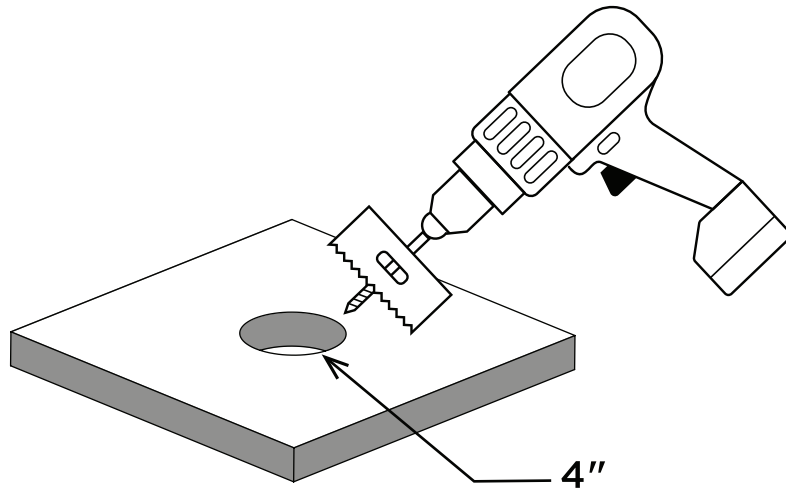


(Not Included)

1-1/2" ABS

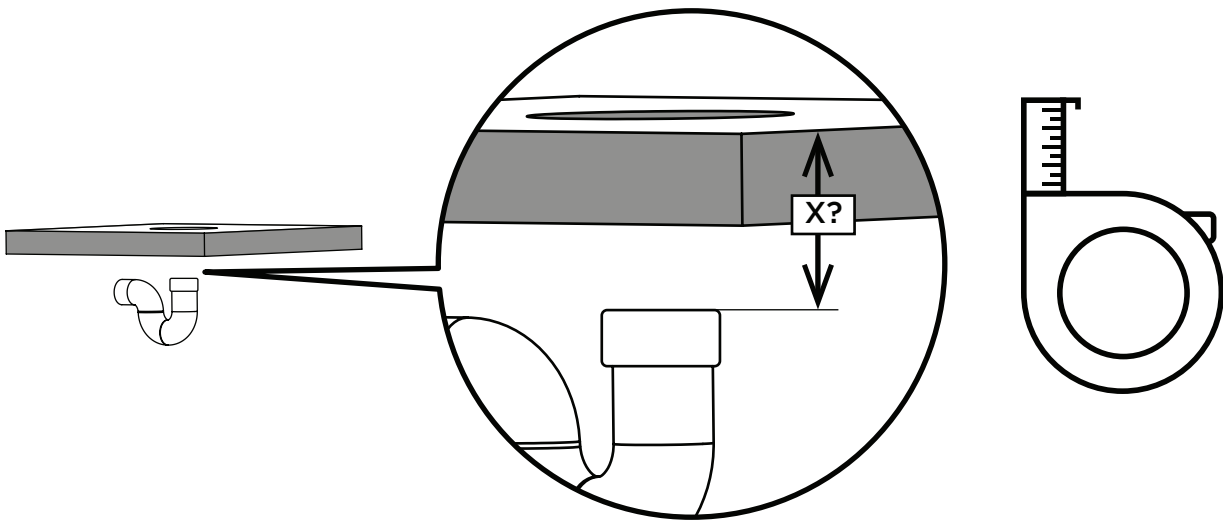
## Step 1

---

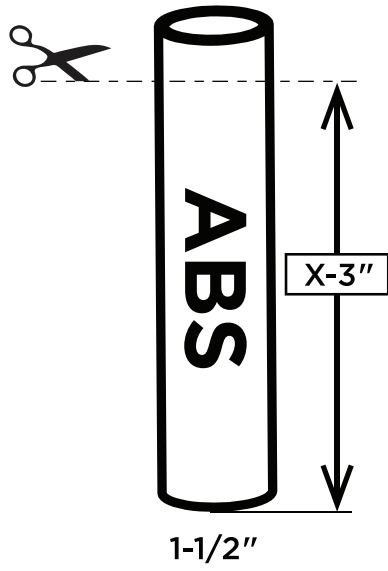


## Step 2

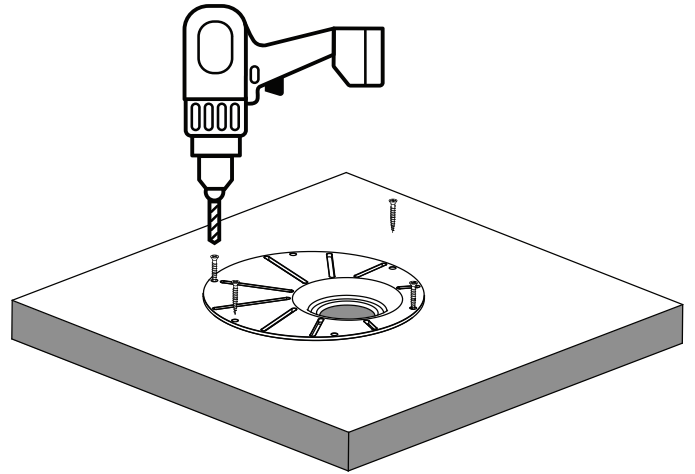
---



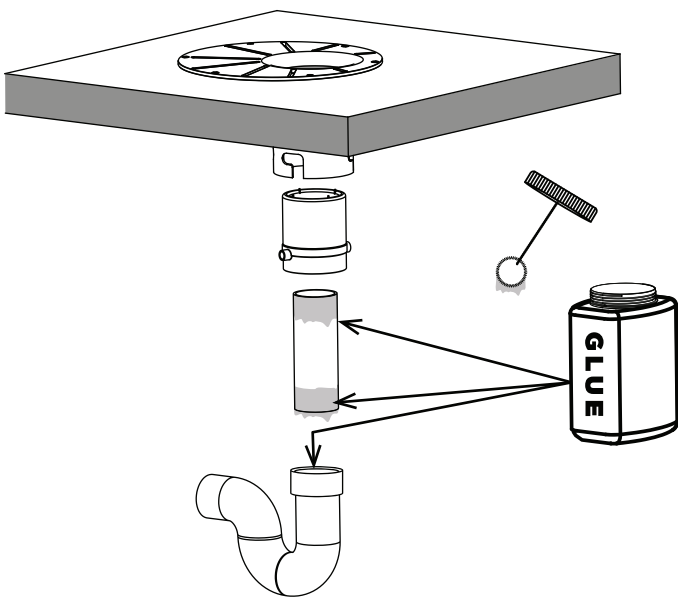
### Step 3



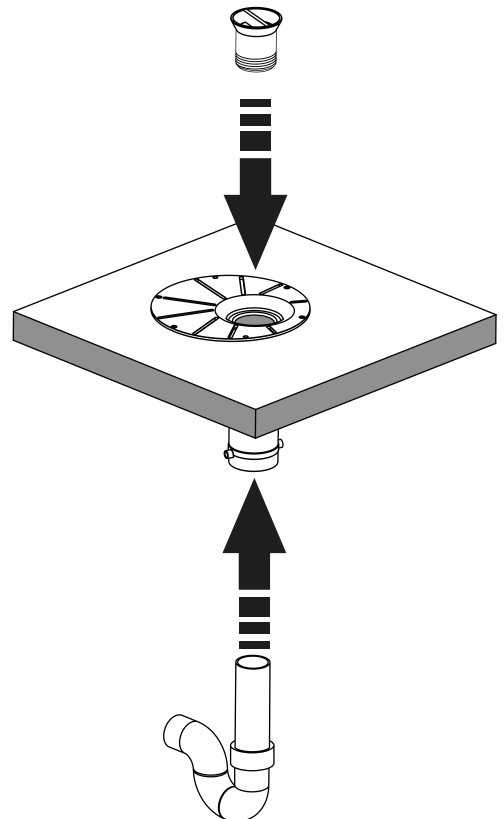
### Step 4



### Step 5

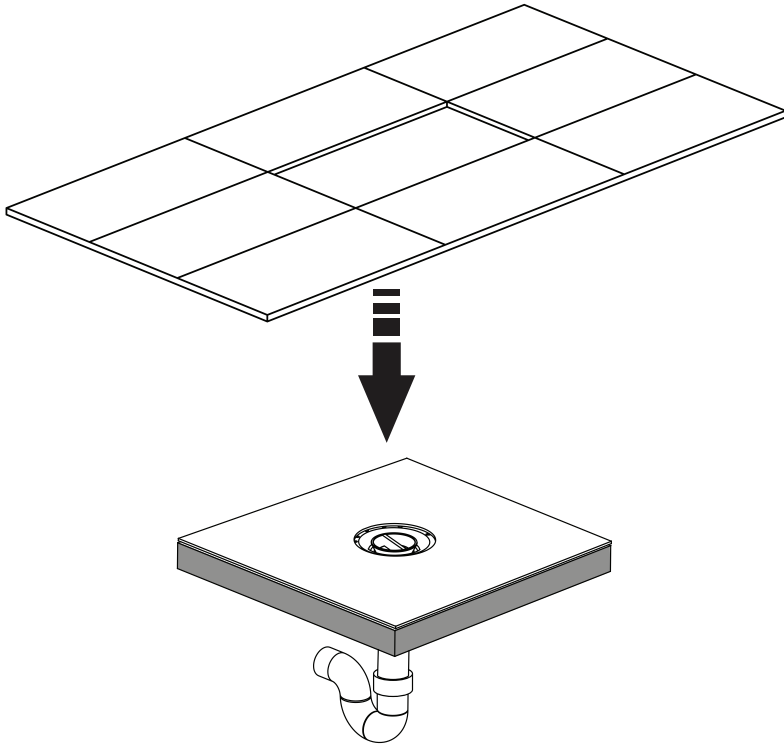


### Step 6



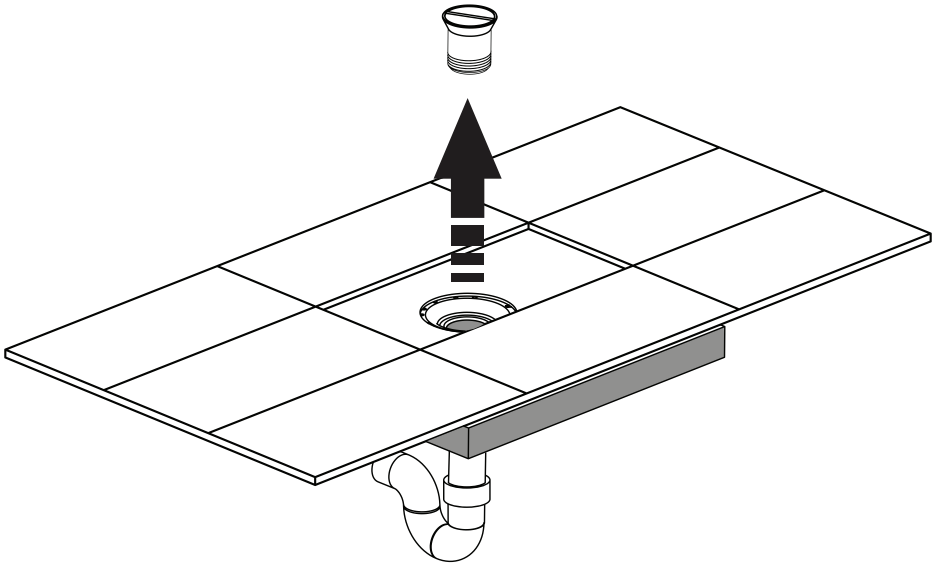
**Step 7**

---



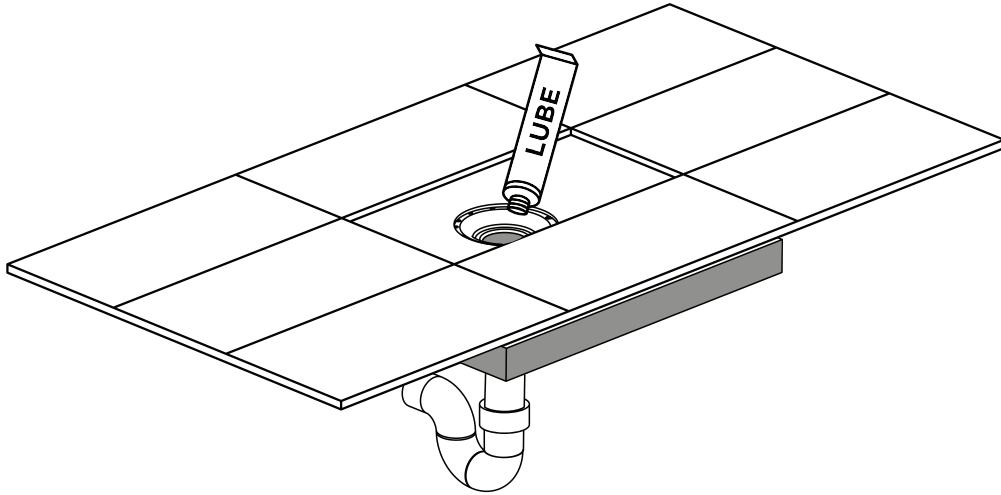
**Step 8**

---



## Step 9

---



## Step 10

---

