

## Installation Manual / Manuel d'installation

### **IMPORTANT**

- Thoroughly inspect your product before proceeding with the installation.
- The warranty will be void if the product is installed with a defect.

### **CAUTION**

- To prevent leaks, silicone must be applied on the outside of the shower.
- Read all instructions carefully before starting the installation.
- Save this manual for future reference.

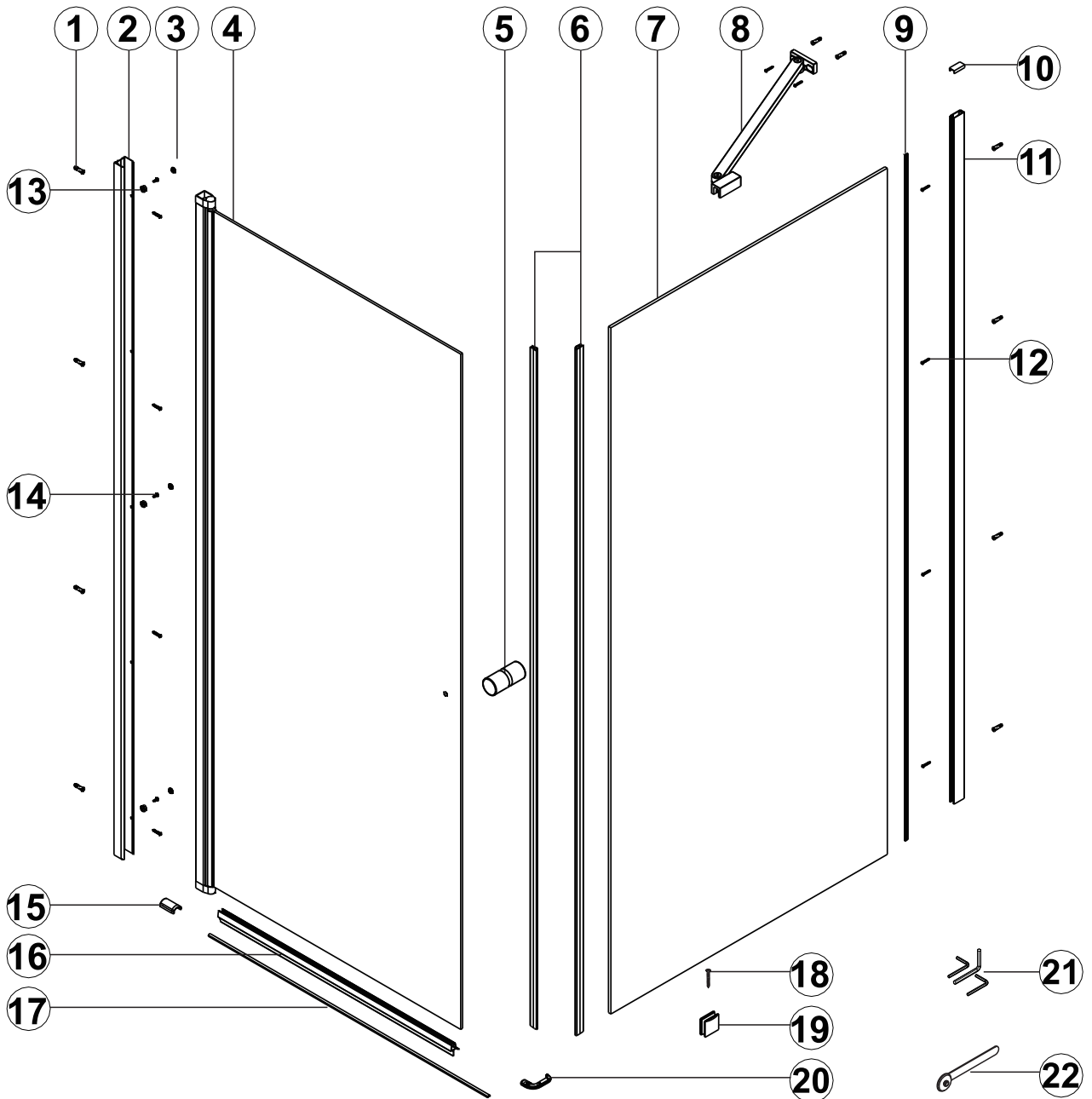
### **IMPORTANT**

- Inspecter le produit avant de procéder à l'installation.
- La garantie sera invalide si le produit a été installé avec des défauts apparents.

### **ATTENTION**

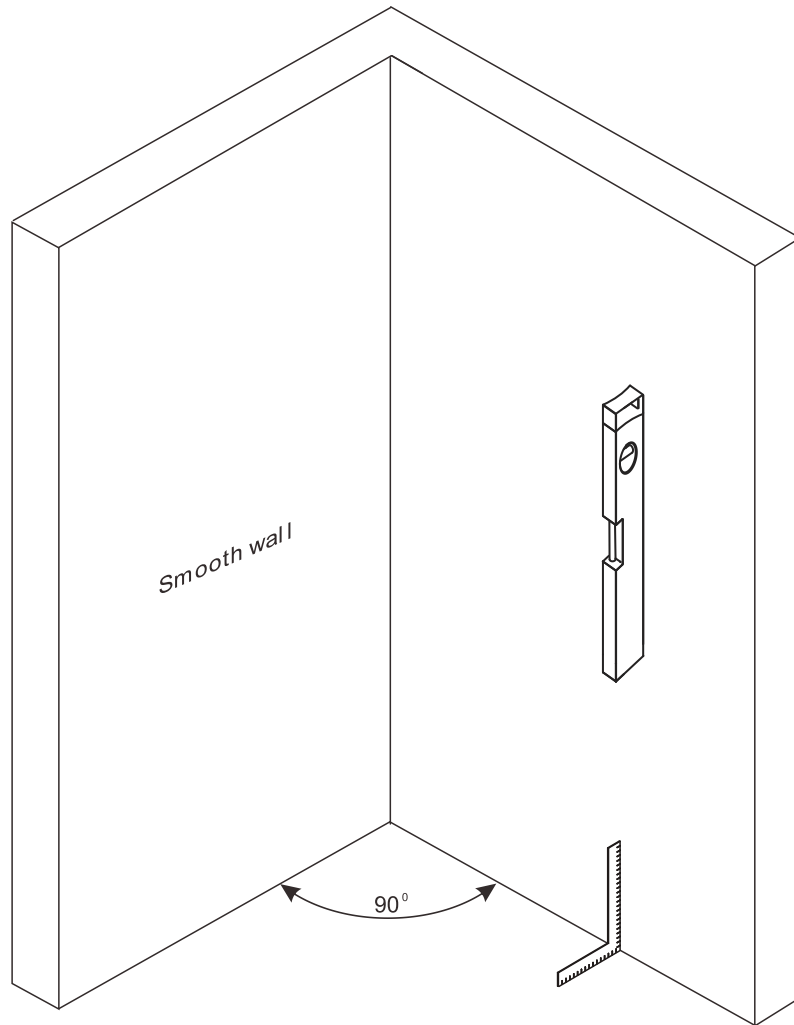
- Lors de l'installation. L'application de silicone doit être à l'extérieur de la douche.
- Veuillez lire attentivement ce manuel d'instruction avant de commencer l'installation.
- Conserver ce manuel pour référence ultérieure.

# PARTS LIST

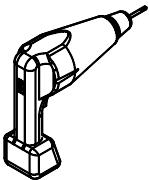


No.	Description	Qty	No.	Description	Qty
1	Wall anchor	11	12	Pan head self tapping screw 4x45	10
2	Wall jamb	1	13	Spacer	3
3	Screw cover	3	14	Pan head self tapping screw 4x8	3
4	Pivot panel	1	15	Threshold retainer	1
5	Handle	1	16	Door sweep gasket	1
6	Magnet	2	17	Threshold	1
7	Fixed glass	1	18	Countersunk Philip head screw M4x16	1
8	Bracket	1	19	Glass clip	1
9	Squeeze gasket	1	20	Threshold retainer 90	1
10	Extrusion cap	1	21	Allan key kit	1
11	Wall jamb	1	22	Squeeze gasket tool	1

# PREPARATION



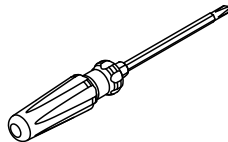
## TOOLS AND MATERIALS REQUIRED



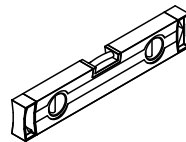
PERCEUSE  
DRILL



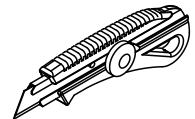
VIS  
SCREWS



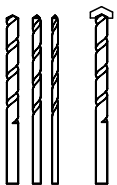
TOURNEVIS  
SCREW DRIVER



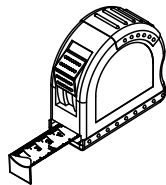
NIVEAU  
LEVEL



COUTEAU DE PRECISION  
PRECISION KNIFE



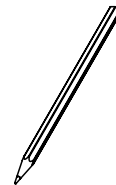
FORETS: 1/8", 3/16" ET 1/4"  
\*FORET À MAÇONNERIE  
DRILL BITS: 1/8" AND 1/4"  
\*MASONARY DRILL BIT



RUBAN À MESURER  
MEASURING TAPE



ÉQUERRE  
SET SQUARE

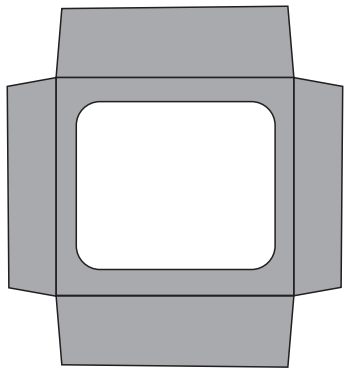


CRAYON  
PENCIL

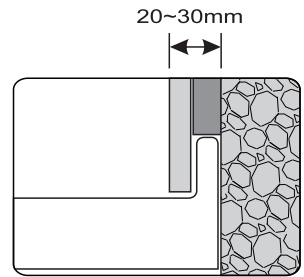



SILICONE  
SILICONE

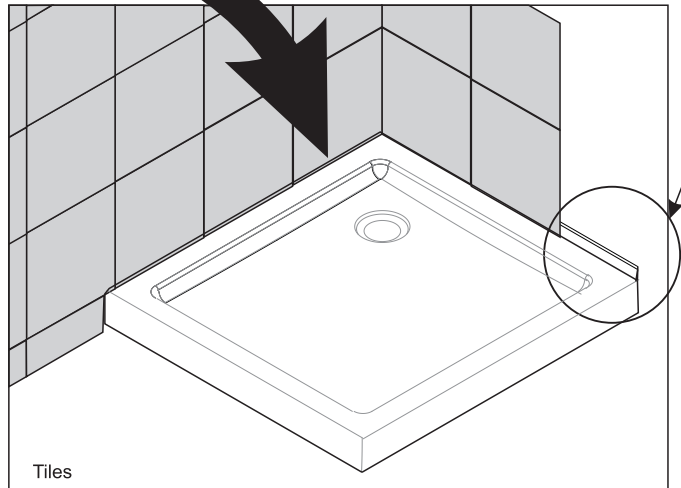
# CONTINUED



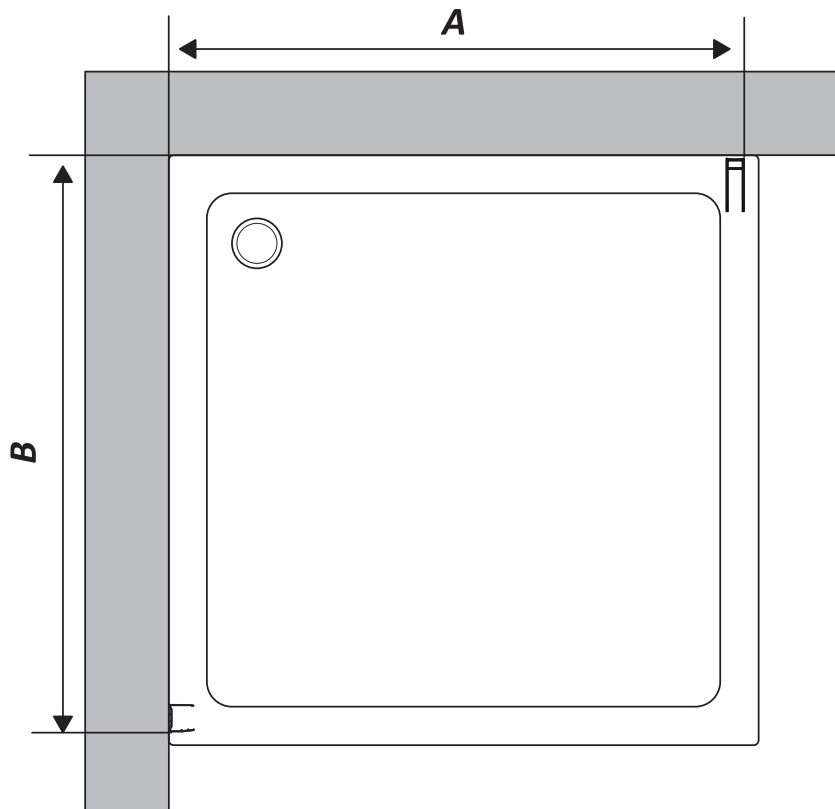
To protect your shower base finish.



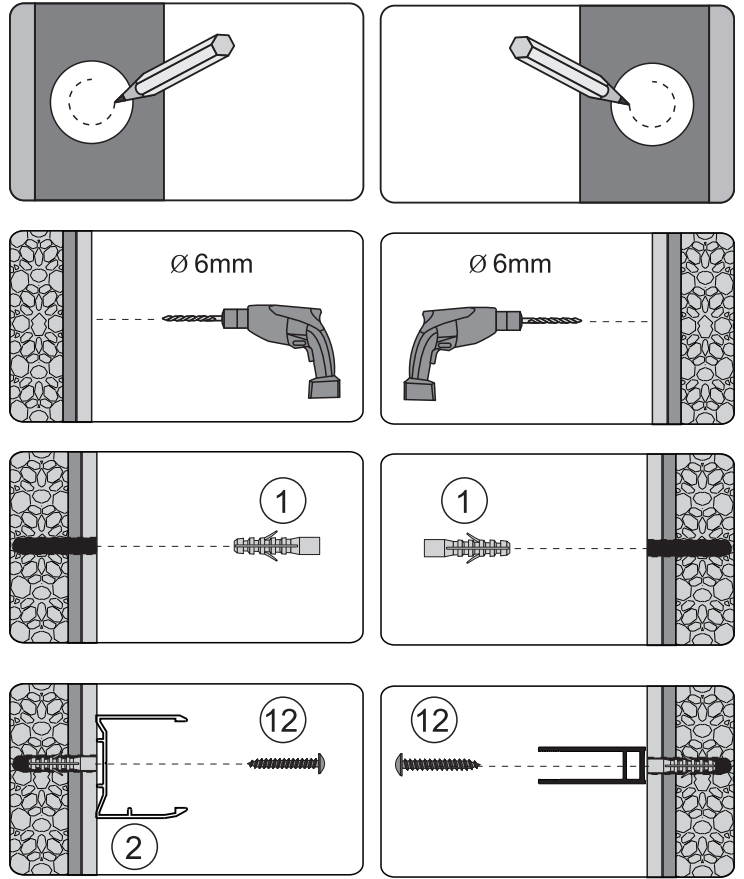
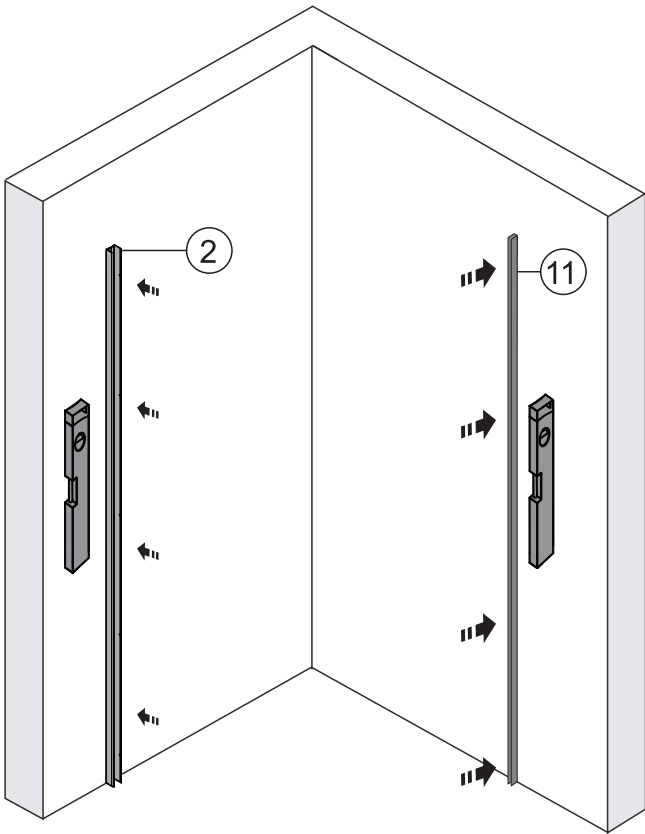
 **WARNING !**  
Wait 24h before proceeding with the Installation of the shower door. This will ensure that the finish and mortar are dry.



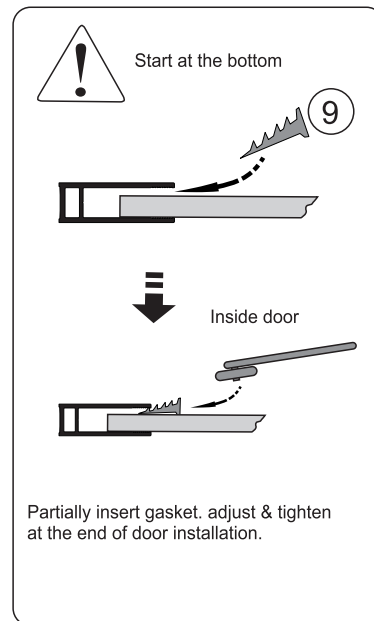
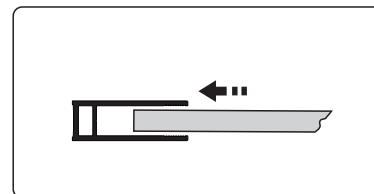
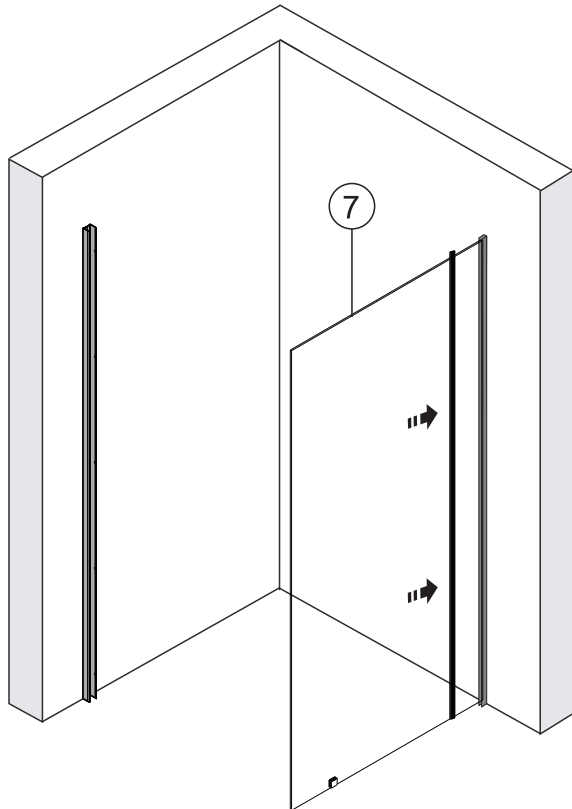
# WALL JAMB INSTALLATION



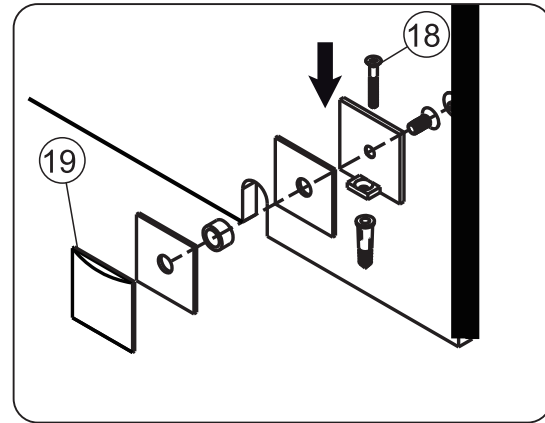
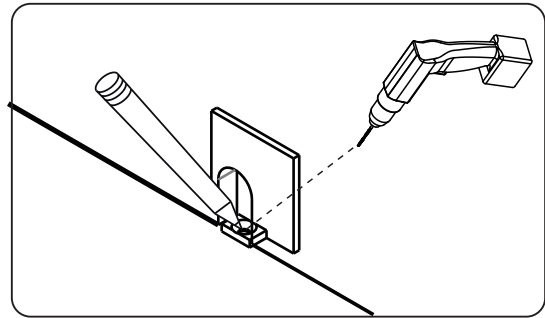
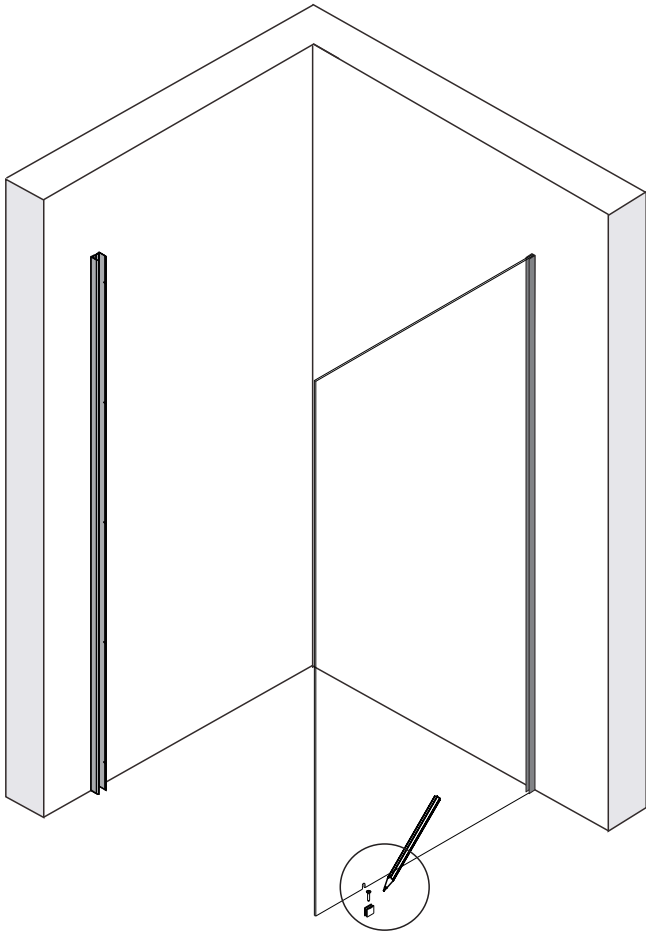
CONTINUED



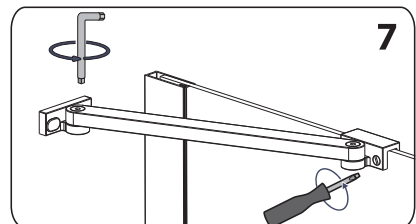
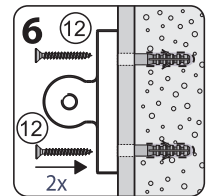
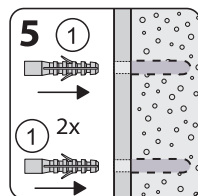
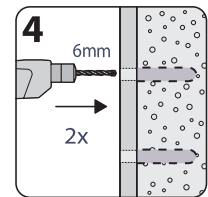
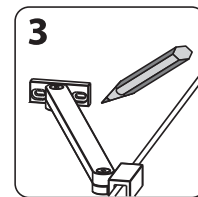
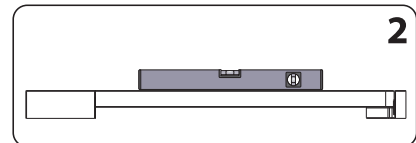
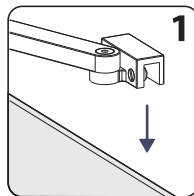
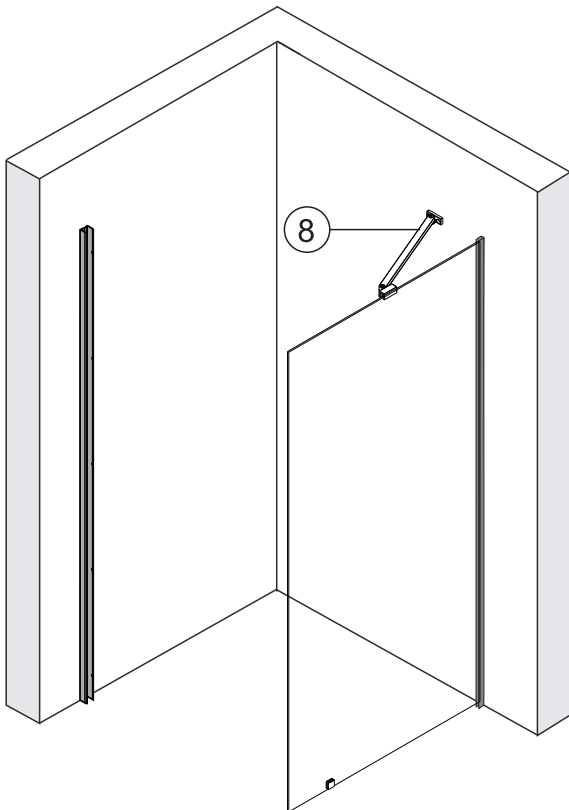
CONTINUED



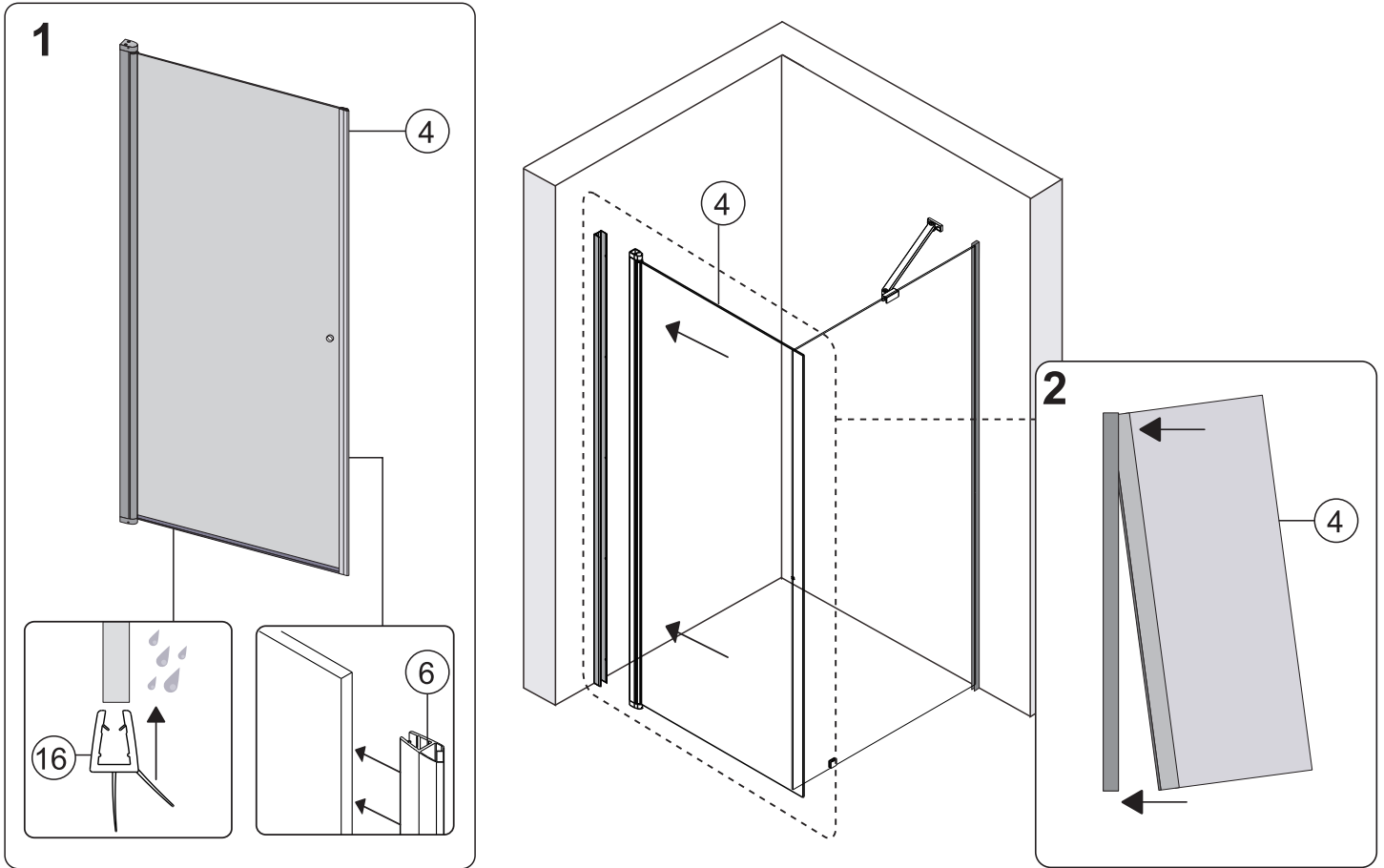
# CONTINUED



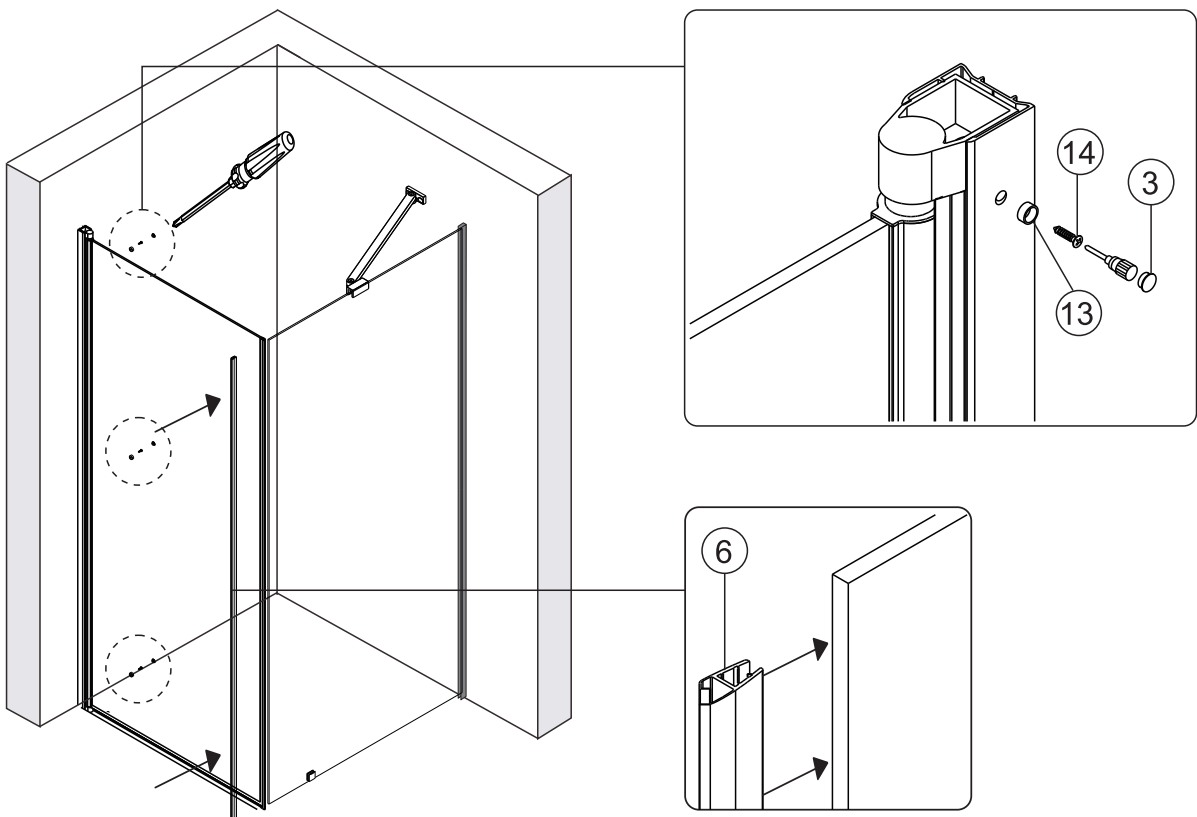
# CONTINUED



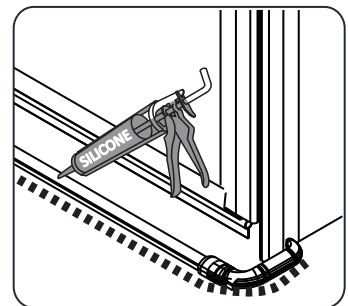
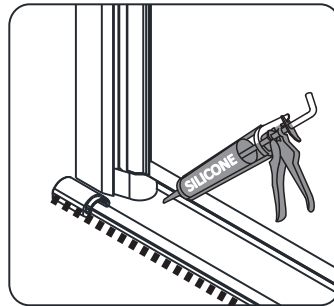
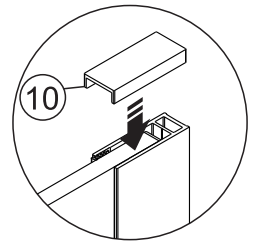
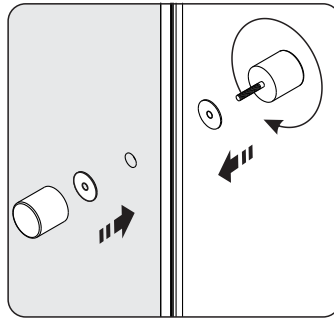
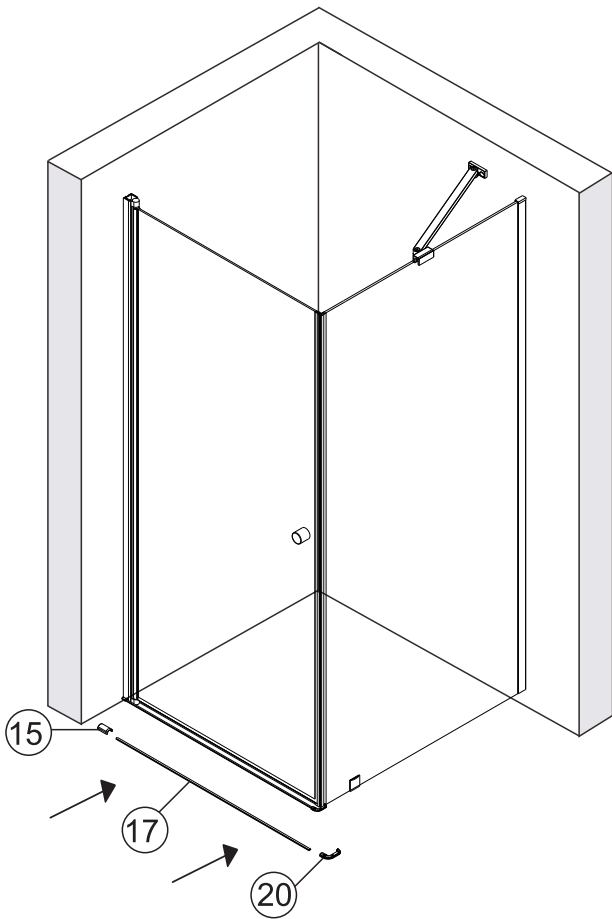
# CONTINUED



# CAULKING



## CONTINUED



## CAULKING

