



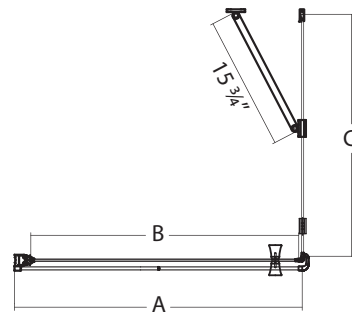
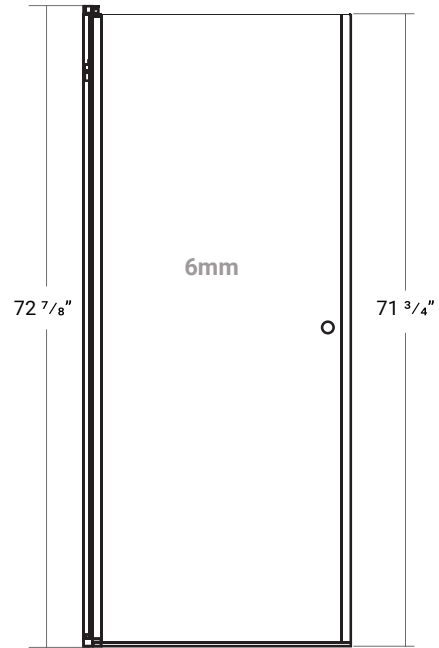
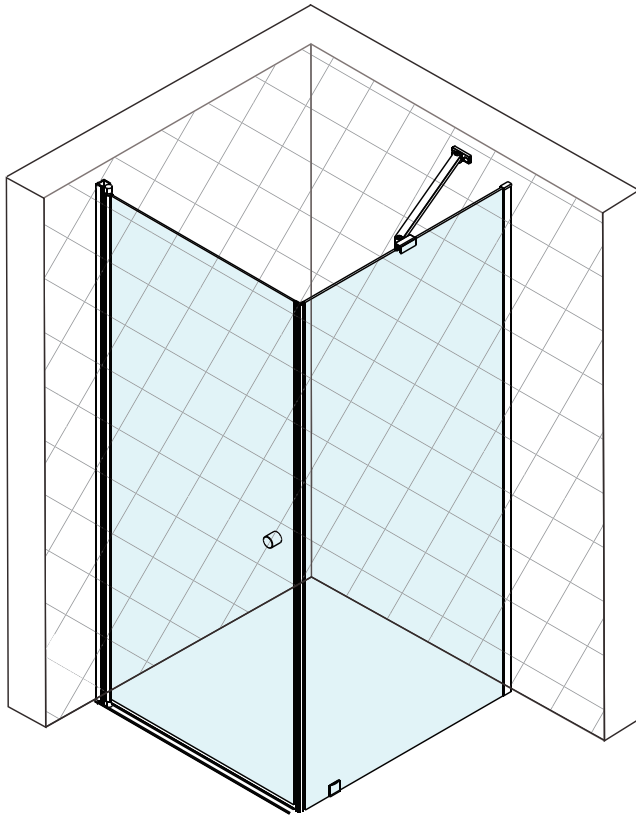
Ruxton Double Threshold

Product Specifications

- Tempered glass with easy cleaning protective coating
- Stainless steel (INOX) hardware for improved durability
- Die-cast aluminum handle, with a polished chrome finish
- Tempered 6mm glass
- 1 Year limited manufacturer's warranty included

Design Features

- Reversible
- Translucent full length seals
- Easy adjustment door system
- Semi-frameless design
- Magnetic closure



Nominal Base Size	A Finished Span	B Door Panel	C Return Panel	Chrome Part #	Brushed Nickel Part #	Matte Black Part #
34" x 34"	32 3/8" - 33"	29 3/16"	30 1/4"	53028	53027	N/A
36" x 36"	34 3/8" - 35"	31 1/8"	32 1/8"	53036	N/A	53034
36" x 32" (36" Door)	34 3/8" - 35"	31 1/2"	28 3/8"	53046	N/A	N/A

N/A : Not Available

Acritec Industries Corp.

27049 Gloucester Way
Langley, B.C. V4W 3Y3

Tel: 604.607.0856

Fax: 604.607.0857

Email: info@acritec.com

Website: www.acritec.com

In keeping with our policy of continuing product improvement, Acritec Industries Corp. reserves the right to change product specifications without notice.

Important

*While we strive to provide accurate measurements for our customers, sometimes mistakes happen. Our goal is to help things run smoothly from shipment to installation, so if you notice any errors in our spec sheets, please let us know.

Our products are handmade & hand finished so you can expect a tolerance of ± 1/4" on all measurements. We strongly recommend waiting until your ordered product is on-site before attempting any rough-in carpentry or plumbing.

If you want to verify any of our measurements, please feel free to call or email us.

*Drawings are not to scale