

Alcove Bath

Installation Manual

Important

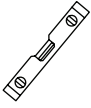
- Thoroughly inspect your product before proceeding with the installation.
- The warranty will be void if the product is installed with a defect.

Caution

- Read all instructions carefully before starting the installation.
- Save this manual for future reference.

In keeping with our policy of continuing product improvement, Acritec Industries Corp. reserves the right to change product specifications without notice.

Tools & Materials



Level



Trowel



Caulking



Screws



Mortar



**Tape Mea-
sure**



**Plastic
Sheeting**



Drill Bits



Drill



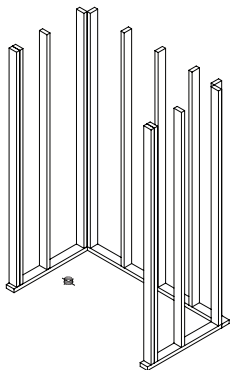
Pencil

Site Preparation:

Before proceeding amend your subfloor as needed. Ensure it is level, free of damage and provides adequate support. The floor under the bath must be capable of supporting 50lb./ft² or 240 kg M².

Avant de procéder à l'installation, vérifier que la capacité portante du plancher est adéquate et que celui-ci est de niveau ainsi que libre de tous débris. Le Sol sous la baignoire doit pouvoir supporter 50lb/ft² ou 240 kgM²

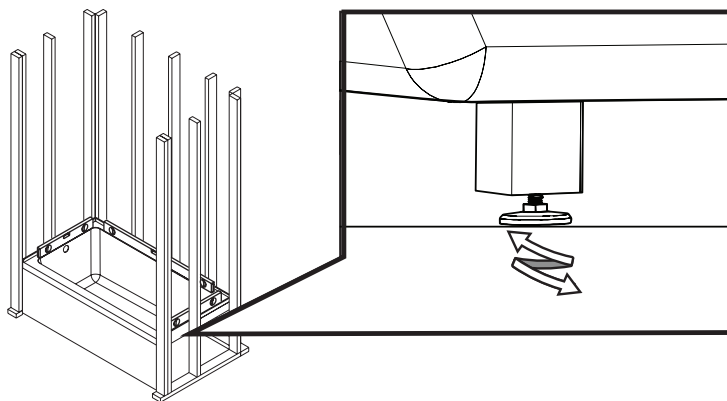
Step 1



The alcove framing must be plumb and square. The floor must be level.

L'encadrement en alcôve doit être d'aplomb et d'équerre le sol doit être de niveau

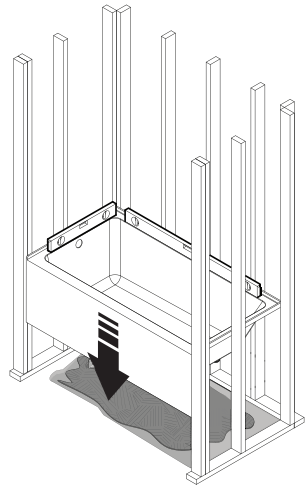
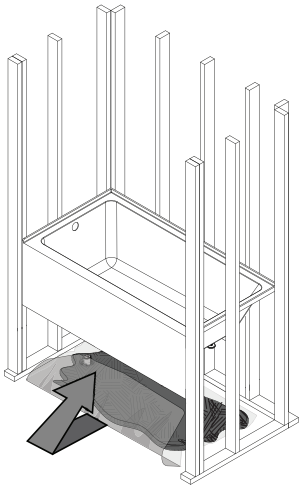
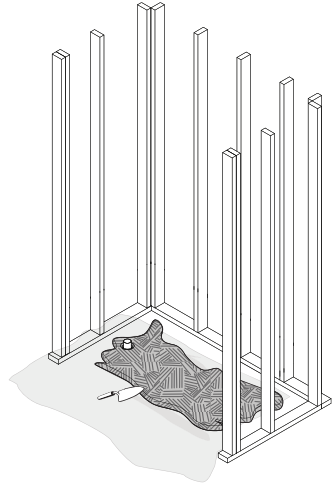
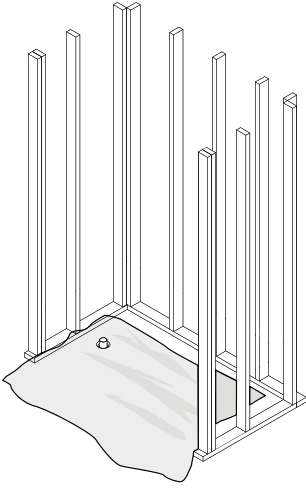
Step 2



The bathtub must be level in both directions. The bathtub apron and all legs must be in firm contact with the floor. Test for proper drainage before proceeding.

La baignoire doit être de niveau dans les deux sens. Le tablier de la baignoire et toutes les jambes doivent être fermement en contact avec le sol. Tester le bon drainage avant de continuer.

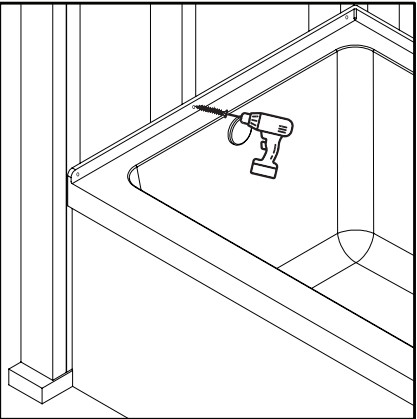
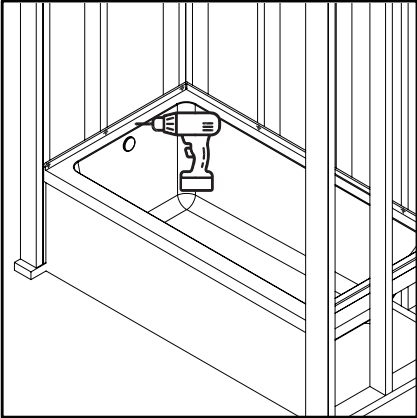
Step 3



If the gap between the bottom of the tub and the floor is too large, add four generous mounds of thin-set to support the tub.

Si l'espace entre le fond de la baignoire et le sol est trop grand ajoutez quatre généreuses gouttes de thin-set pour soutenir la baignoire.

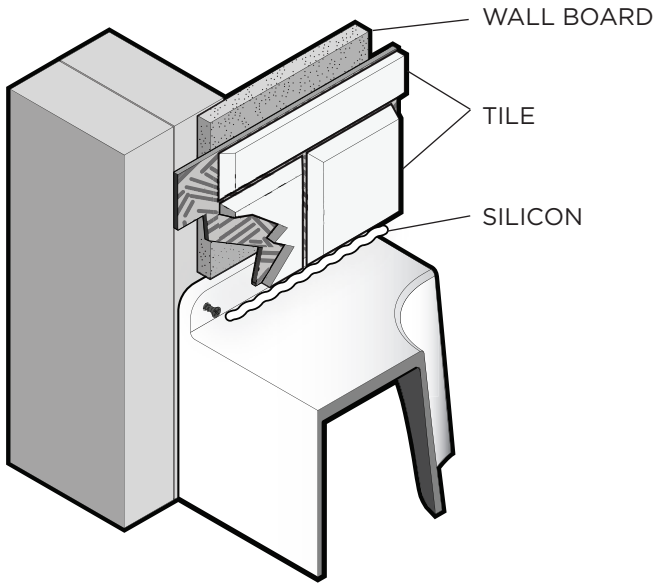
Step 4



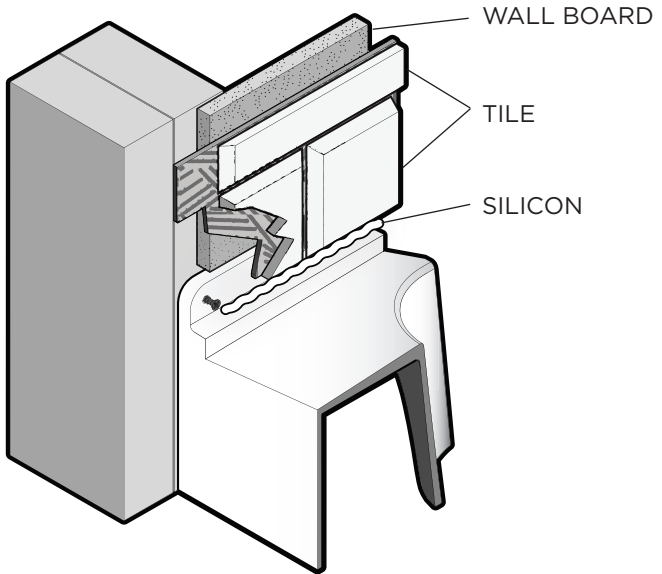
Pre-drill the tiling flange and fasten in place with coated screws. No weight should be carried by the tiling flange.

Pré-percer la bricle de carrelage et fixer en place à l'aide de vis revêtues, en veillant à ce que la bride de support ne partel aucun poids.

Step 5

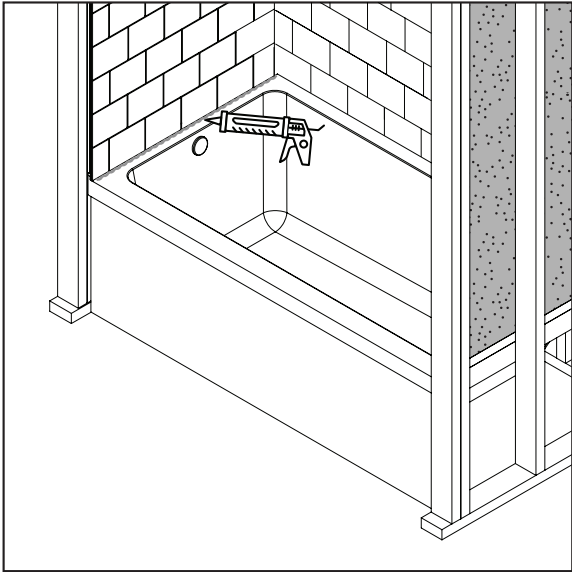
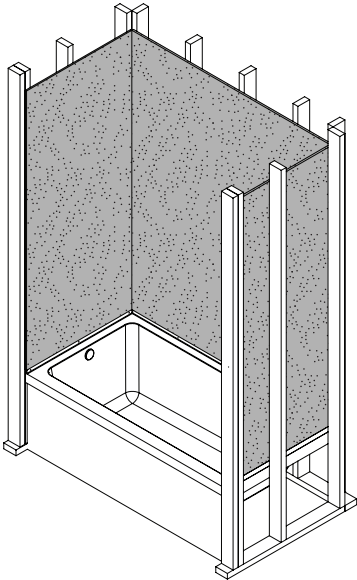
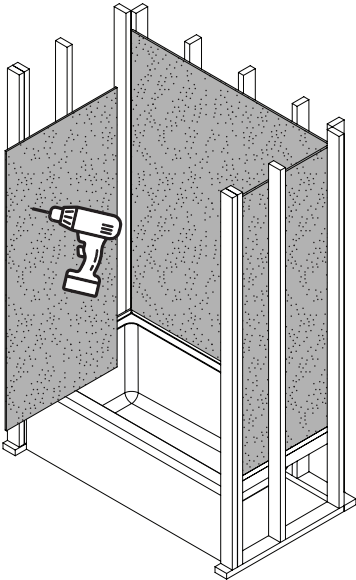


Single Tiling Flange



Double Tiling Flange

Step 6



Apply 100% silicone sealant around the bath along the finished walls and deck.

Appliquer du mastic a base de silicone 100% autour de la baignoire le long des murs finis et du pont.

ROUTINE CARE & CLEANING

Your bathtub is made from cast acrylic or gel-coat and will maintain its superior finish and beauty for many years with minimal care.

The instructions below are designed to assist you in keeping your tub looking “new”.

Follow these simple steps:

For normal care and cleaning use a soft cloth or sponge with soap and water. Rinse well and dry with soft clean cloth.

Never use abrasive cleaners.

Clean grease, oil, paint and ink stains with a dab of isopropyl (rubbing) alcohol. Rinse well with water and dry with a soft clean cloth.

Do not allow your acrylic surface to come into contact with nail polish, nail polish remover, Wintergreen oil, dry cleaning solution, lacquer thinners, gasoline, pine oil, all essential oils, etc.

Avoid placing razor blades or other sharp instruments on the bathtub surface as they may scratch it.

To remove joint / drywall compound, use a plastic or wood spatula covered with a damp cloth.

If a rubber bathmat is used during showering/ bathing, it must be removed immediately after each use. Leaving the bathmat in the bathtub after use will damage the acrylic surface.

Periodic cleaning using a specially formulated acrylic cleanser such as Gel-Gloss is recommended to thoroughly clean the surface and apply a protective coating. This will help maintain the high luster of the acrylic finish.

SCRATCHED / DAMAGED SURFACES

Small scratches can be removed by buffing lightly with a clean cloth and using either an automotive polishing liquid or toothpaste containing a fine polishing ingredient.

For deeper scratches, sand the surface lightly with 600 grit “wet or dry” paper and a generous amount of water. Once the scratch has been sanded away, progress through 800 and then 1200 grit “wet or dry” sand paper while continually refreshing the water.

Finish all repairs by buffing the area back to a glossy finish by using a clean cloth and automotive polishing compound or Acri-tec’s specially formulated acrylic polishing compound.

MAJOR REPAIRS

For more extensive damage, such as deep chips, scratches or cracks, please contact Acri-tec directly with a photo of the damaged area.

Our customer service team will help you determine the most appropriate method to repair the area.

SALES & WARRANTY INFO:

Toll free: 1.877.464.3100

Tel: 604.607.0856

Fax: 604.607.0857

Email: info@acritec.com

Website: www.acritec.com



www.acritec.com

CONDITIONS APPLICABLE TO ACRI-TEC'S WARRANTY

1. The warranty card must be returned to Acri-tec within 30 days from installation.
2. The product must be installed and maintained in accordance with the installation, operation and maintenance instructions provided.
3. Misuse or abuse of product is not covered under warranty.
4. Acri-tec's warranty is limited to the supply of a replacement product of comparable size and style. It does not include any cost of transport, removal or installation.
5. Colour fading is not a material defect.
6. Acri-tec is not responsible for everyday wear or tear that may occur.
7. Under no circumstance shall Acri-tec be liable for any direct, or consequential loss, or damage arising out of the use of this product.
8. The plumbing fixtures must be tested prior to final installation to ensure no leaks have resulted from shipping and handling.
9. Except as expressly provided, there shall be no Warranty or obligation, expressed or implied, oral or statutory, and in no event shall Acri-tec, its agents or employees be liable for injury to any person, for any claim of damage, however arising.

SALES & WARRANTY INFO:

Toll free: 1.877.464.3100

Tel: 604.607.0856

Fax: 604.607.0857

Email: info@acritec.com

Website: www.acritec.com



www.acritec.com

NAME _____

ADDRESS _____

CITY _____

PROVINCE _____ POSTAL CODE _____

E-MAIL ADDRESS _____

BATHTUB SERIAL # _____

MODEL # _____

DATE OF PURCHASE _____

INSTALLATION DATE _____

INSTALLER _____

PLEASE CHECK THE APPROPRIATE BOX:

NEW CONSTRUCTION

RENOVATION

WHERE WAS YOUR ACRI-TEC PRODUCT PURCHASED ?

STORE _____

CITY _____



Acritec Industries Corp.

27049 Gloucester Way
Langley, B.C. V4W 3Y3

Tel: 604.607.0856

Fax: 604.607.0857

Email: info@acritec.com

Website: www.acritec.com