



## Vanessa

Product # 44335

59" x 29 5/8" x 22 7/8" | Immersion Depth: 15 1/4"

### Product Specifications

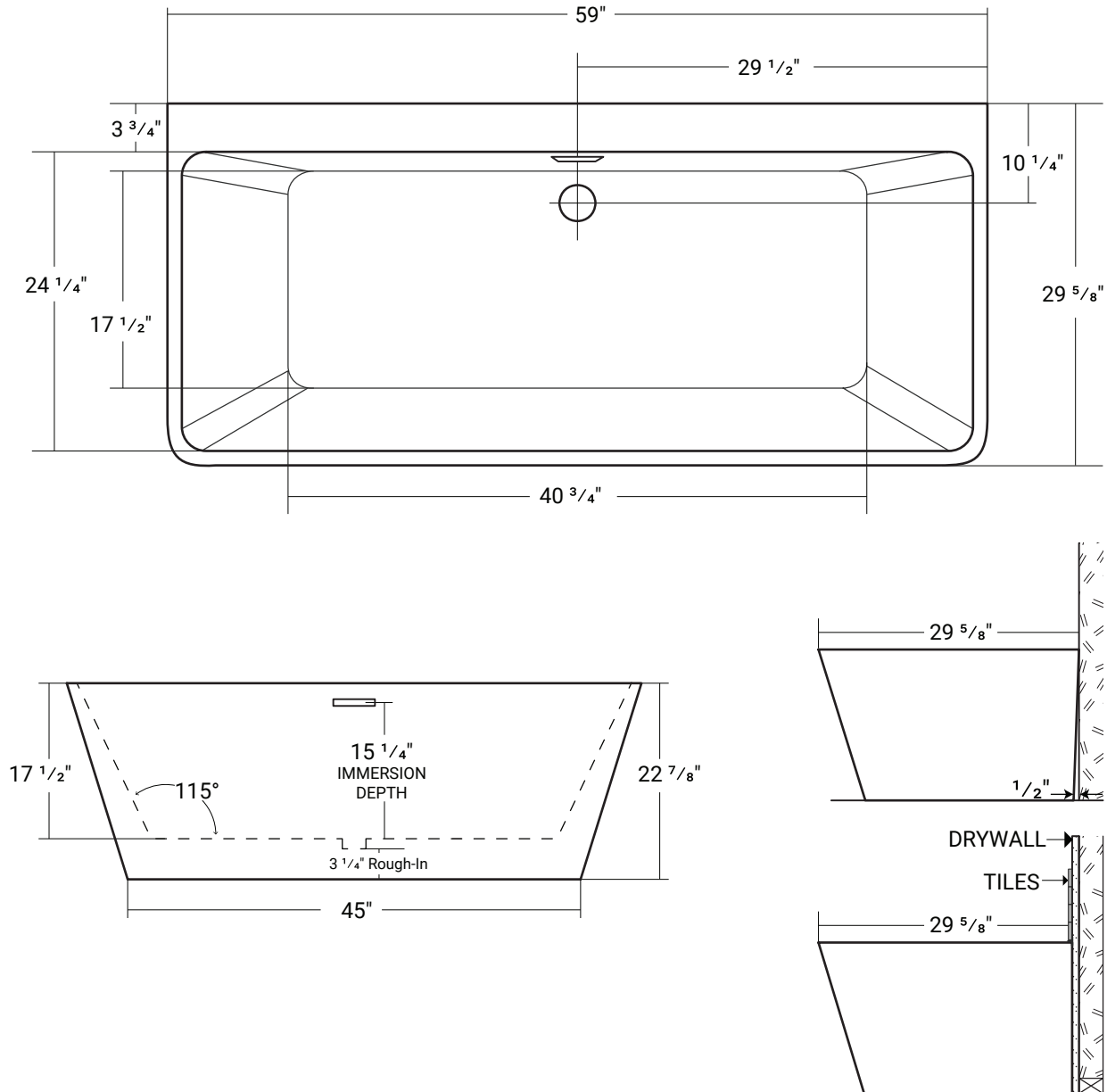
- Seamless, 1 piece acrylic soaker bathtub
- 100% Acrylic with fiberglass reinforcement
- Bathtub is shipped with drain assembly not installed
- Levelling feet included
- Center drain
- Drain hole: 2"
- Water capacity: 60 US Gallons
- Weight: 110 lbs
- 1 year limited manufacturer's warranty included

### Design Features

- Deep bathing well
- Gently sloping lumbar support
- Open back

### Available Upgrades

- Roughin EZ
- Comfortwarm™ x 2
- VIBE Sound



**If the Semi-freestanding tub is going against any wall, the tub to be installed with the supplied tiling flange.**

**Acritec Industries Corp.**

27049 Gloucester Way  
Langley, B.C. V4W 3Y3

**Tel:** 604.607.0856

**Fax:** 604.607.0857

**Email:** info@acritec.com

**Website:** www.acritec.com

**Important**

\*While we strive to provide accurate measurements for our customers, sometimes mistakes happen. Our goal is to help things run smoothly from shipment to installation, so if you notice any errors in our spec sheets, please let us know.

Our products are handmade & hand finished so you can expect a tolerance of  $\pm 1/4"$  on all measurements. We strongly recommend waiting until your ordered product is on-site before attempting any rough-in carpentry or plumbing.

If you want to verify any of our measurements, please feel free to call or email us.

\*Drawings are not to scale

In keeping with our policy of continuing product improvement, Acritec Industries Corp. reserves the right to change product specifications without notice.

