



Milla

Product # 44605LH | 44606RH

59" x 30 ³/₄" x 23 ⁵/₈" | Immersion Depth: 15 ¹/₂"

Product Specifications

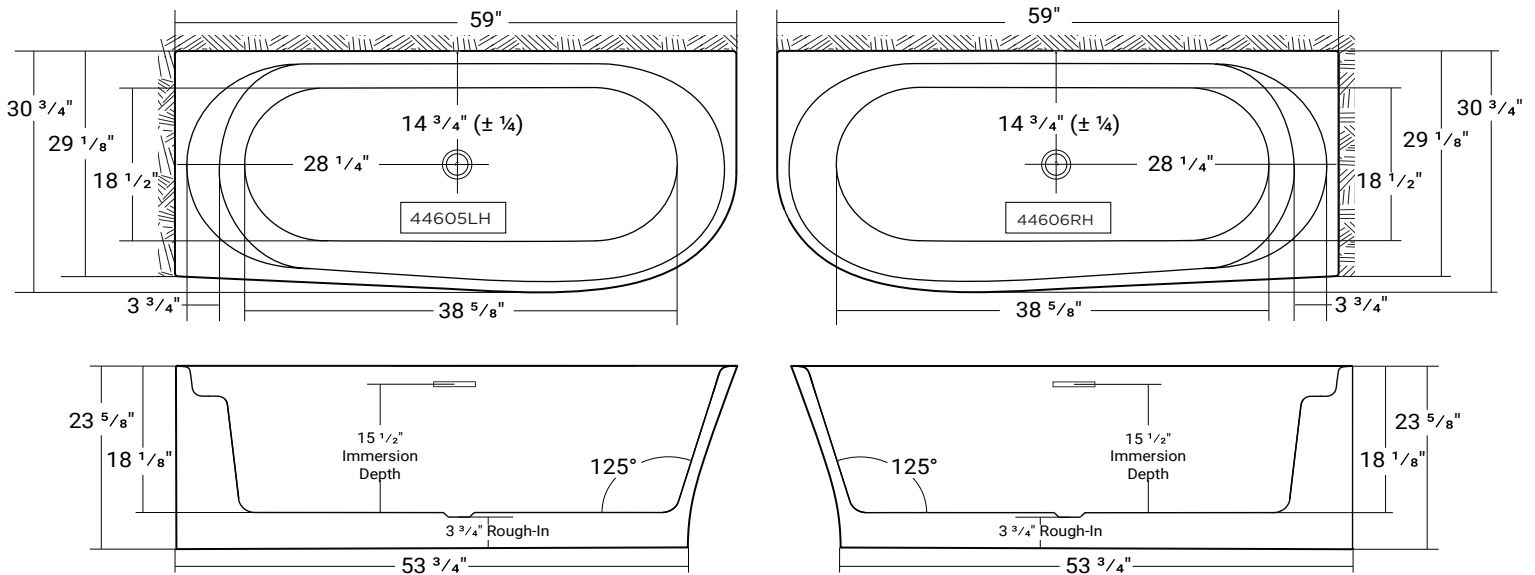
- 100% Acrylic with fiberglass & steel reinforcement
- Bathtub is shipped with drain assembly not installed
- Slotted overflow
- Leveling feet included
- Integral steel frame
- Center drain
- Drain hole: 2" | Overflow: 2 ¹/₄"
- Water capacity = Approx. 48 US Gallons
- Weight: approx. 145 lbs
- 1 Year limited manufacturer's warranty included

Design Features

- Seamless, 1 piece acrylic soaker tub
- Designed for corner installations
- Clicker style pop-up drain
- Deep bathing well

Available Upgrades

- Roughin EZ
- Comfortwarm™
- Vibe Sound
- Aromatherapy



If the Semi-freestanding tub is going against any wall, the tub to be installed with the supplied tiling flange.

Acritec Industries Corp.

27049 Gloucester Way
Langley, B.C. V4W 3Y3

Tel: 604.607.0856

Fax: 604.607.0857

Email: info@acritec.com

Website: www.acritec.com

In keeping with our policy of continuing product improvement, Acritec Industries Corp. reserves the right to change product specifications without notice.

Important

*While we strive to provide accurate measurements for our customers, sometimes mistakes happen. Our goal is to help things run smoothly from shipment to installation, so if you notice any errors in our spec sheets, please let us know.

Our products are handmade & hand finished so you can expect a tolerance of $\pm 1/4$ " on all measurements. We strongly recommend waiting until your ordered product is on-site before attempting any rough-in carpentry or plumbing.

If you want to verify any of our measurements, please feel free to call or email us.

*Drawings are not to scale

