

# ACRI-TEC

## QUADRA 8R2

### INSTALLATION MANUAL

#### **IMPORTANT**

*Read all instructions carefully before starting the installation.*

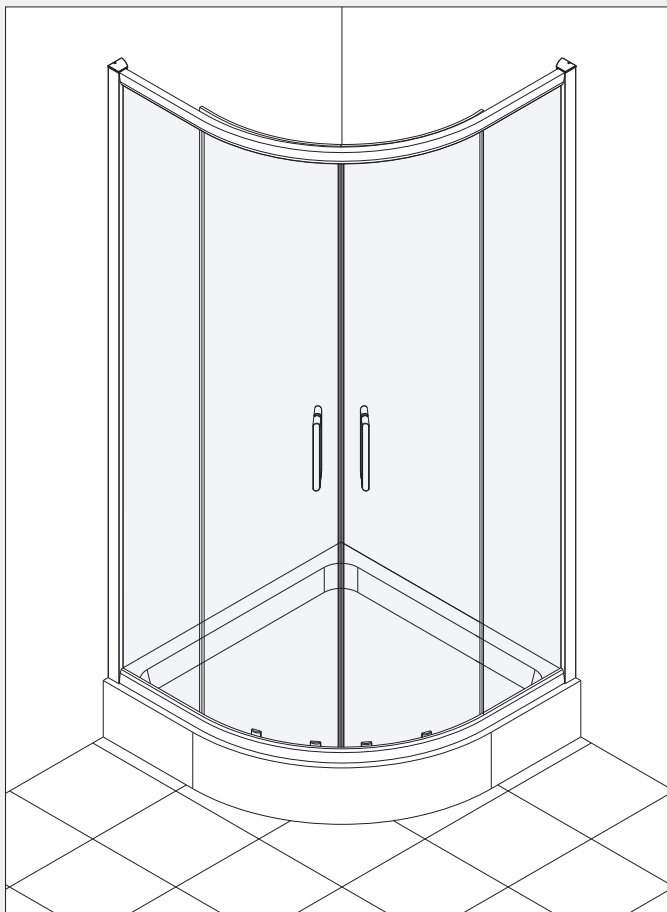
*Thoroughly inspect your product before proceeding with installation.*

*The warranty will be void if the product is installed with a conspicuous defect.*

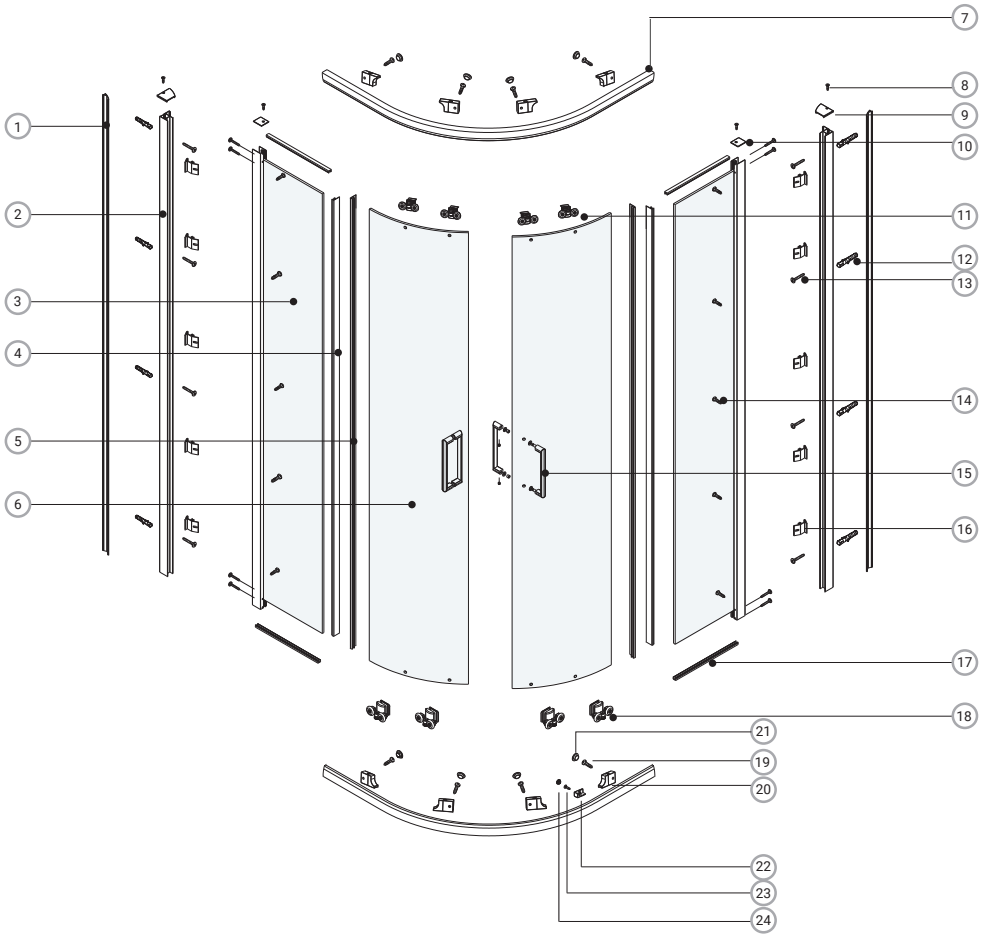
#### **CAUTION**

*To prevent leaks, silicone must be applied on the outside of the shower and not inside!*

*Save this manual for future reference.*



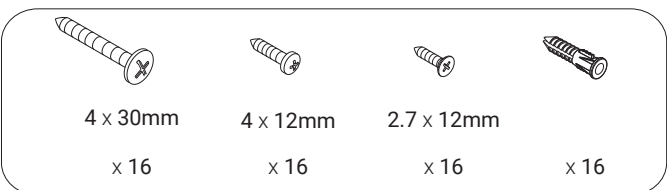
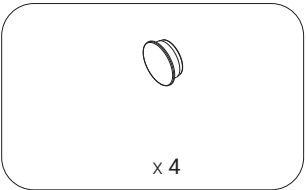
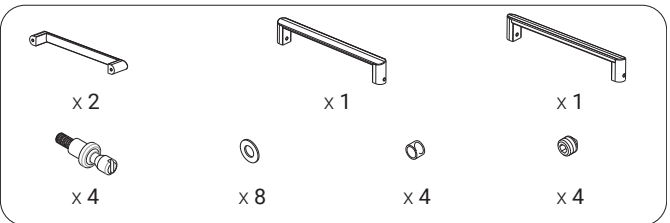
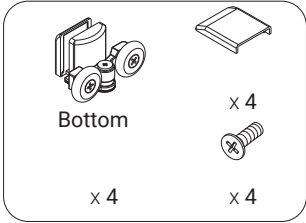
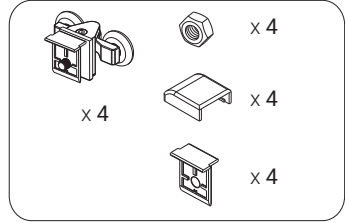
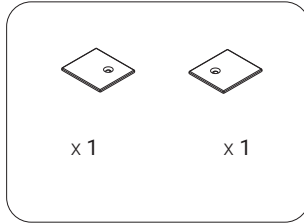
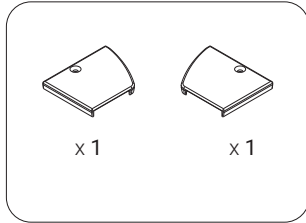
# COMPONENTS AND BOX CONTENTS



No.	Description	Qty
1	Trim strip	2
2	Wall profile	2
3	Fixed panel	2
4	Fixed panel upright seal	2
5	Moving panel upright seal	2
6	Moving panel	2
7	Top and bottom profile	2
8	Cover caps screw (2.7 x 12)	4
9	Wall profile cover cap	2
10	Upright profile cover cap	2
11	Top double rollers	4
12	Wall plug	8

No.	Description	Qty
13	Wall fixing screw (4 x 30)	16
14	Frame fixing screw (4 x 12)	10
15	Handle complete inside & outside	1/1
16	Nylon clip	10
17	Fixed panel bottom seal	4
18	Bottom double roller	4
19	Roller stop screw (4 x 12)	8
20	Roller stop	8
21	Roller stop cap	8
22	Fixed glass clip	4
23	Fixed glass clip screw	4
24	Fixed glass clip cap	4

# FIXING KIT COMPONENTS, TOOLS REQUIRED, SITE CONDITIONS



## Tools required

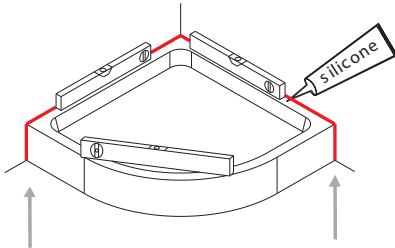
- 6mm Masonry drill bit
- Power drill
- Quality silicone
- Pencil
- Spirit level and tape measure
- #2 and #1 Phillips head screw driver
- Spirit level with horizontal and vertical level indicators
- 10mm wrench

## IMPORTANT - Installation Site

- 1.Ensure The top surface of the shower tray on which the enclosure will be installed is level in every direction.
- 2.The Tiling or other wall finishing should be effectively sealed at the tray edges.

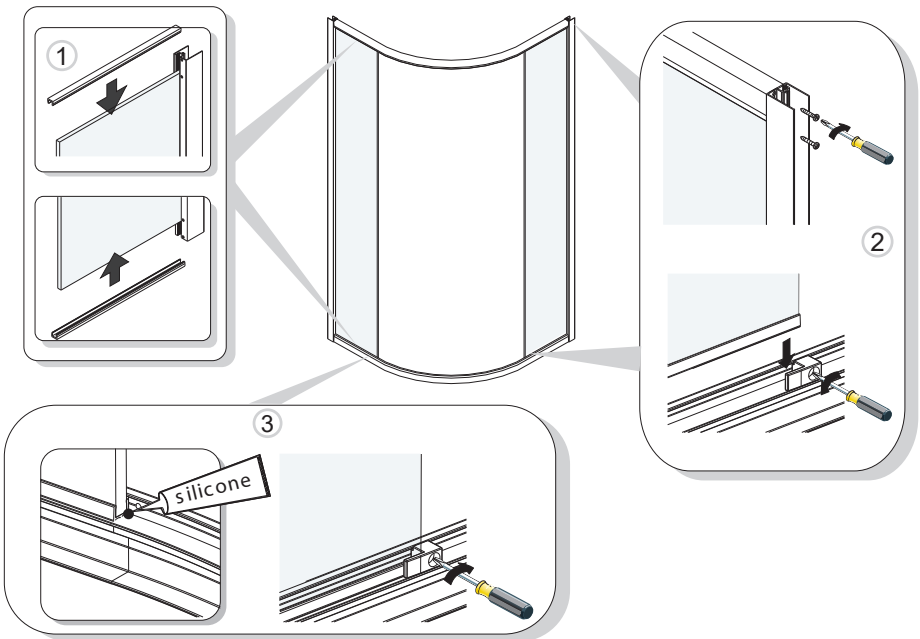
## INSTALL FIXED PANEL AND GUIDING RAIL

TRAY MUST BE 100% LEVEL IN ALL DIRECTIONS



Ensure the shower tray is level in all directions and is properly sealed to the wall. The wall must be tiled down to the top edge of the tray. Do not angle out the bottom tile.

TRAY MUST BE SEALED FULLY AROUND WHERE THE TRAY MEETS THE WALL.



### Step 1

Insert the fixed panel seal (7) onto the top & bottom of the fixed panels (3).

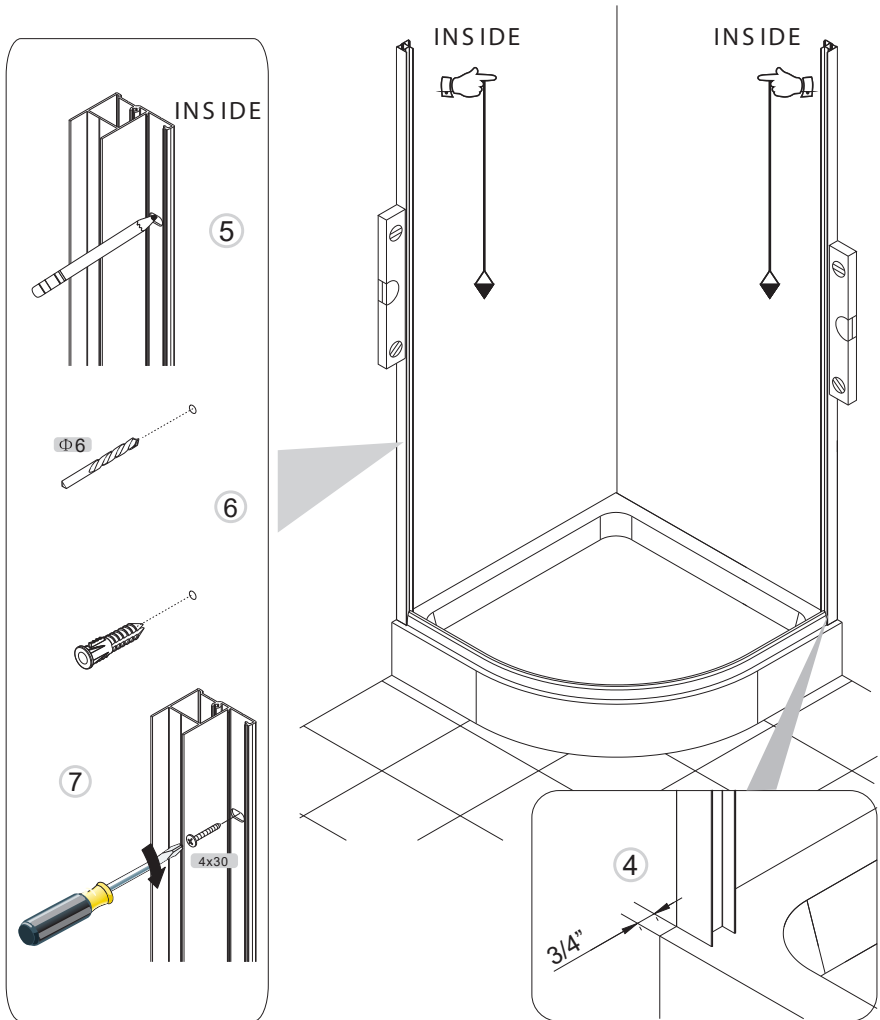
### Step 2

Loosen the fixed panel clip (23). Insert the fixed glass panel into the fixed clip. Fix the fixed panel to the top and bottom profile using screws (13).

### Step 3

Repeat for all 4 corners. Remove the bottom fixed clips. Put a dab of silicone in the corner between glass and profile where the fixed glass clip is fixed to the bottom profile. Reattach the fixed glass clip. Remove excess silicone when upright seals are fitted (see step 14).

## FIXED FRAMEWORK



### Step 4

Place the wall profile (2) 3/4" from the outside edge of the tray. Ensure The wall profiles are plumb.

### Step 5

Mark the position for fixing the wall profile to the wall.

### Step 6

Drill holes with 6mm masonry drill bit and insert the wall plugs (12).

### Step 7

Fix the wall profile tot the wall with screws (13). Note: Second wall profile ca be fitted into door frame when lifting onto tray in situations where the enclosure is a tight fit

## INSTALL MOVING PANEL

### Step 8

Place the assembled frame onto the tray and slot into the wall profiles.

### Step 9

Install the top and bottom double rollers (11) & (18) to the top/bottom holes of the moving panels. See X and Z. (Do not over tighten screw on bottom roller as shown in Z). Slot the top rollers into the profile and then clip in the bottom rollers as shown in steps A, B and C.

### Step 10

Drill 5 equally spaced holes with the included 3mm drill bit through the nylon (16) clip, wall profile and frame.

### Step 11

Attach wall profile trim strip (1)

### Note:

To ensure the correct rolling action and the magnets meet evenly when the doors are closed, adjust the roller by first loosening the nut slightly (max half a turn) as shown in X. Adjust the top roller up or down with the included hex key as shown in Y. Tighten nut when finished. Note do not over tighten bottom rollers to glass. See Z

