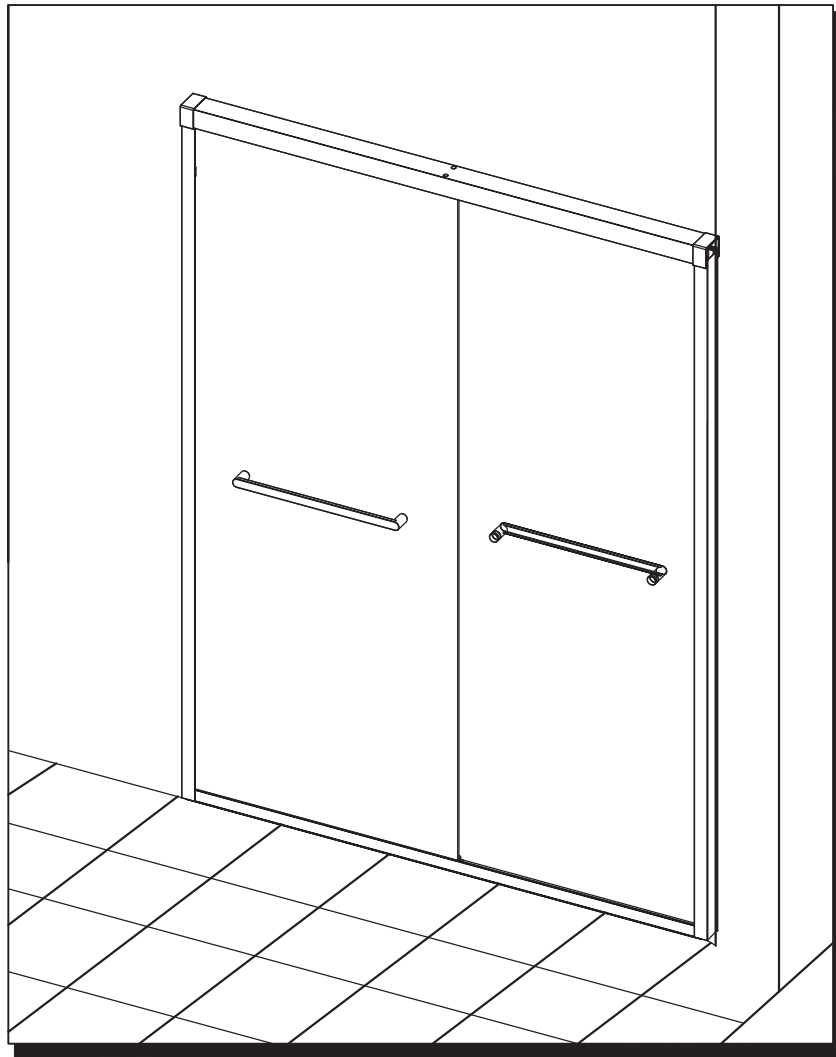


# B03 Series

## Single Threshold Sliding Bypass Door



Updated: 2021/05/14

### INSTALLATION MANUAL

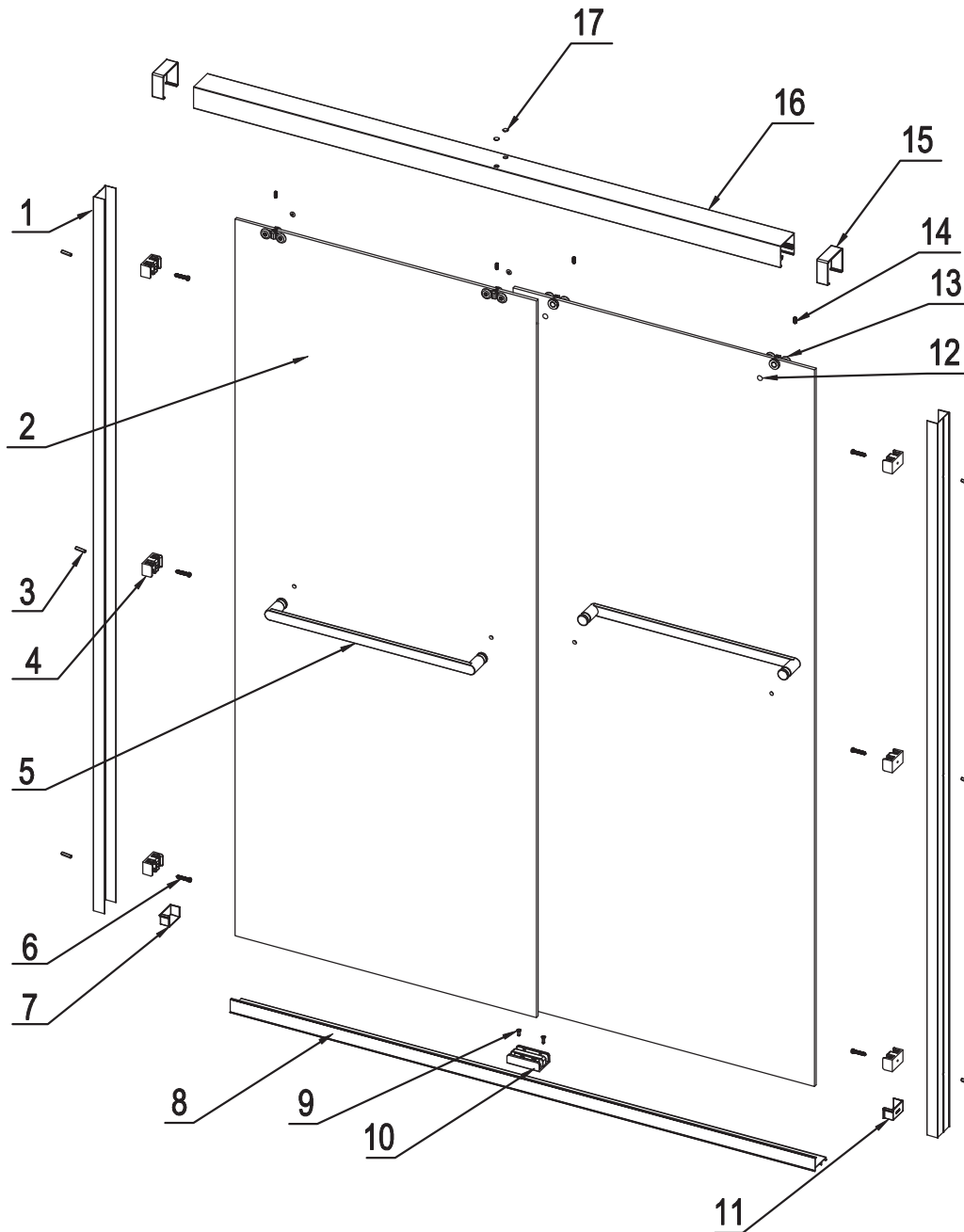
#### IMPORTANT

- Thoroughly inspect your product before proceeding with the installation.
- The warranty will be void if the product is installed with a conspicuous defect.

#### CAUTION

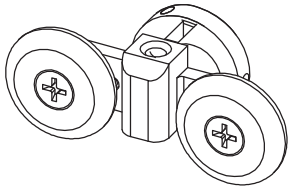
- To prevent leaks, silicone must be applied on the outside of the shower and not on the inside!
- Read all instructions carefully before starting the installation.
- Save this manual for future reference.

# PARTS LIST

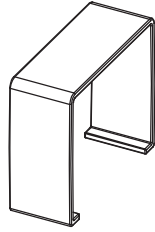


No.	Name	Qty	No.	Name	Qty
1	Wall profile UR	2	10	Guide block	1
2	Door panel	2	11	Bottom track cover, right	1
3	Wall plug	6	12	Roller cover	4
4	Bumper block	6	13	Roller	4
5	Handle	2	14	M5*16 grub screw	4
6	ST4*30 Screw	6	15	Top track cover	2
7	Bottom track cover	1	16	Top track	1
8	Bottom track	1	17	Ø10 cover cap	2
9	ST4*10 Screw	2			

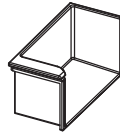
# COMPONENT LIST



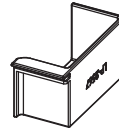
Roller  
x4



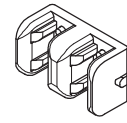
Top track cover  
x2



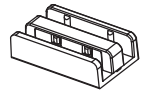
Bottom track cover  
left x1



Bottom track cover  
right x1



Bumper block  
x6



Guide block  
x1



Handle  
x2



Cover cap  
x2



Roller cover  
x4



Screw  
x2



2.5mm hex wrench  
x1



M5\*16 Grub screw  
x4



Screw  
x6

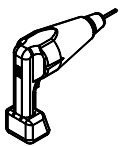


Wall plug  
x6



4mm hex wrench  
x1

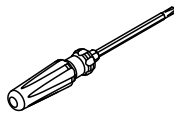
# TOOLS AND MATERIALS REQUIRED



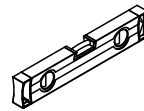
DRILL



SCREWS



SCREWDR



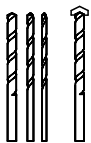
LEVEL



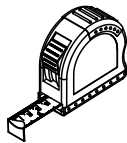
PRECISION KNIFE



SILICONE



DRILL BITS: 1/8" / 1/4"  
\*MASONRY DRILL BIT



MEASURING TAPE



SET SQUARE

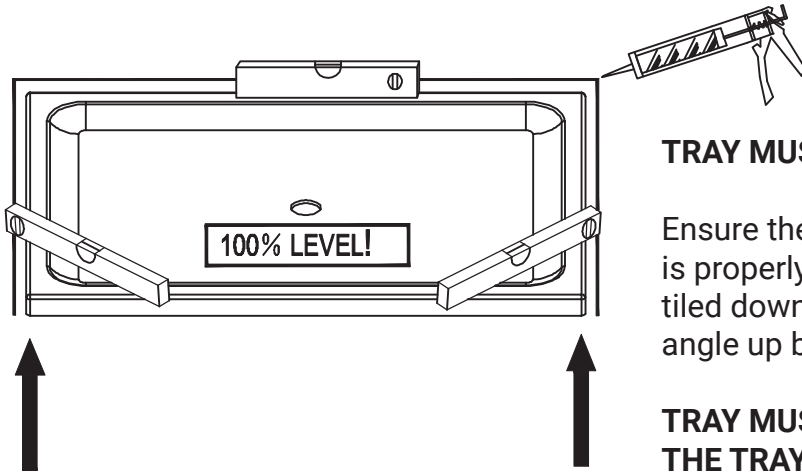


PENCIL



MALLET

## INSTALLATION SITE



### TRAY MUST BE 100% LEVEL IN ALL DIRECTIONS

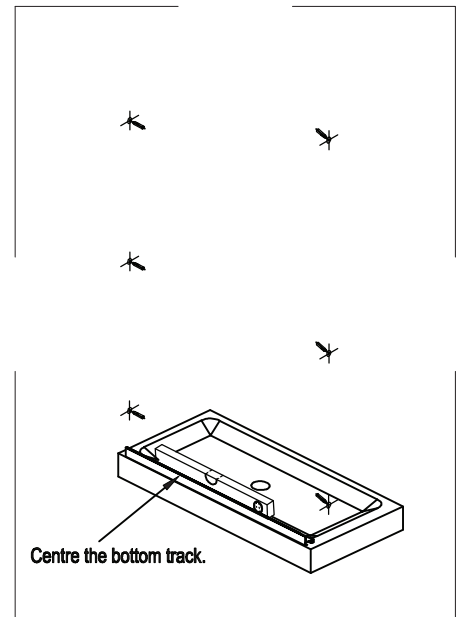
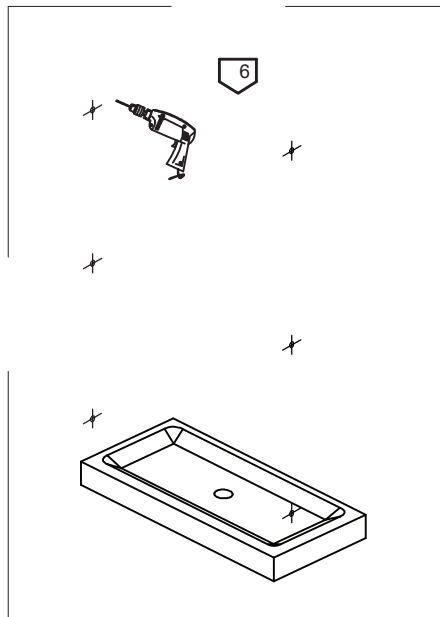
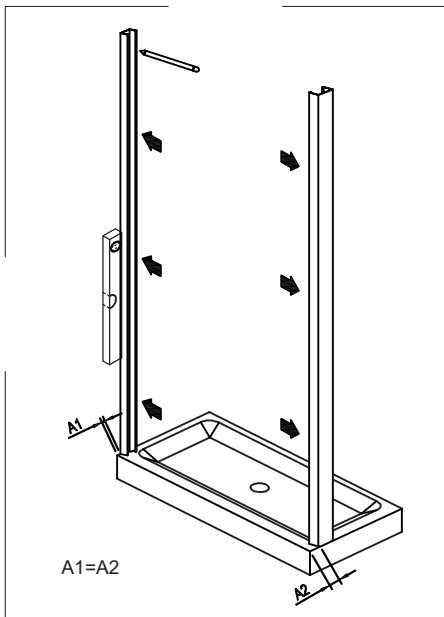
Ensure the shower tray is level in all direction and is properly sealed to the wall. The wall must be tiled down to the bottom edge of the tray. Do not angle up bottom tile.

### TRAY MUST BE SEALED FULLY AROUND WHERE THE TRAY MEETS THE WALL.

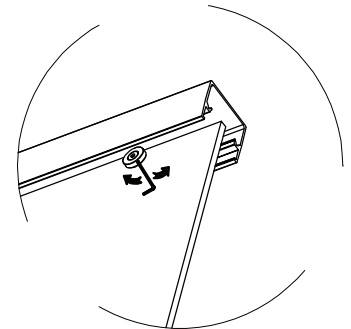
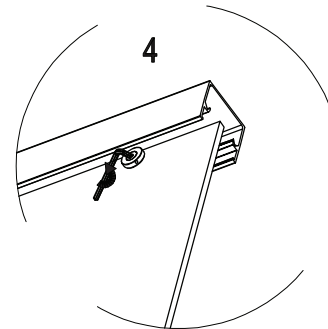
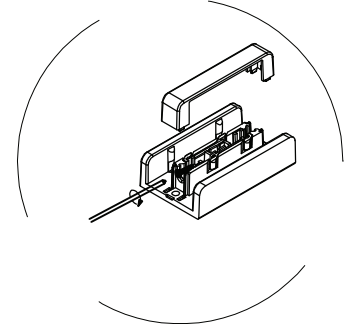
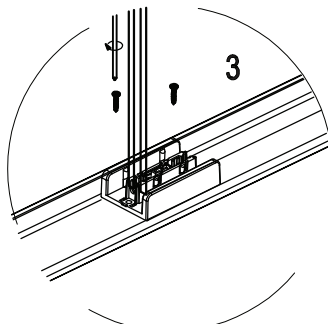
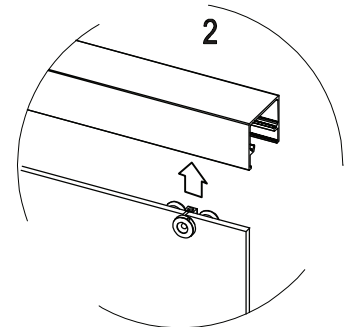
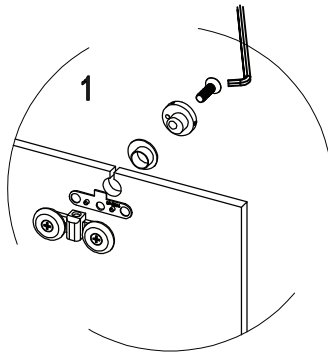
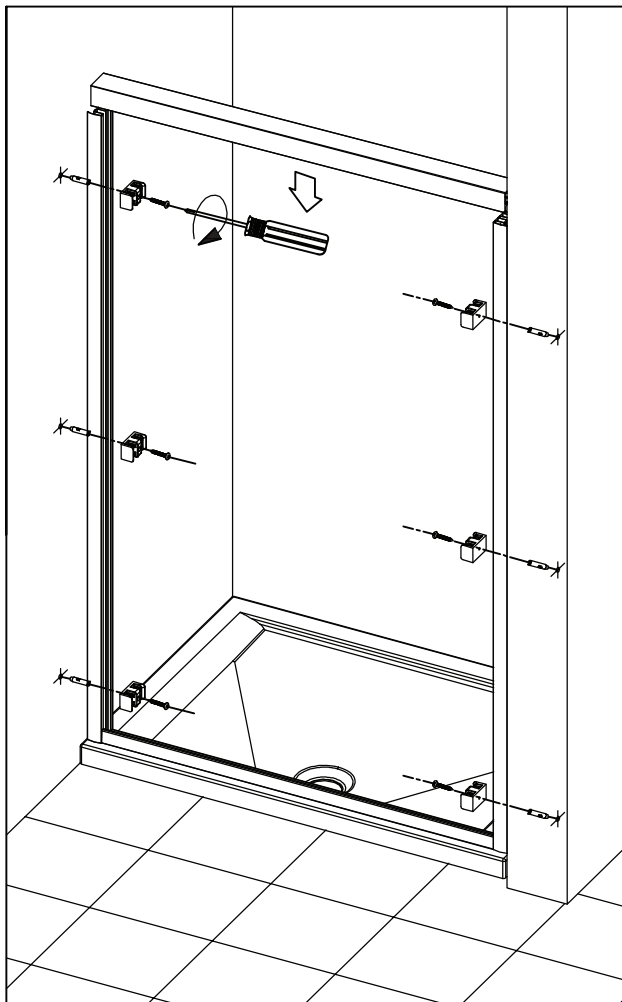
## IMPORTANT

1. Ensure the top surface of the shower tray on which the enclosure which be installed is level in every direction.
2. The tiling or other wall finishing should be effectively sealed at the tray edges.
3. Tiles should extend at least to the corners of the tray and a minimum of 2.1m from top of the tray.

## WALL JAMB INSTALLATION



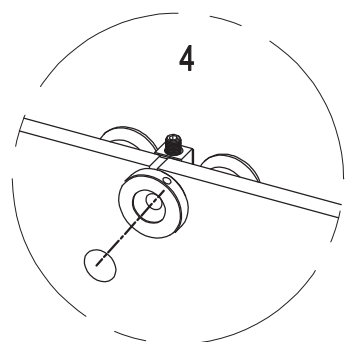
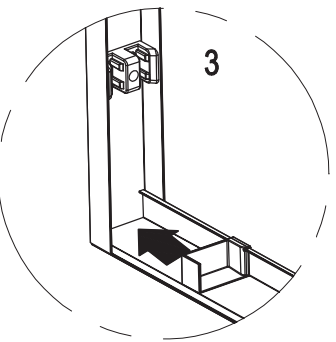
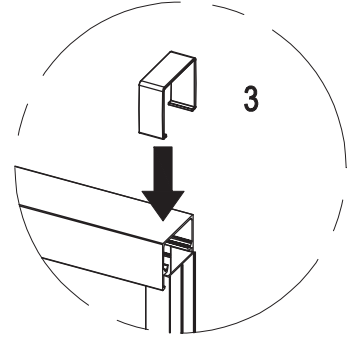
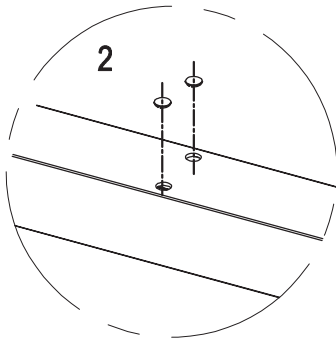
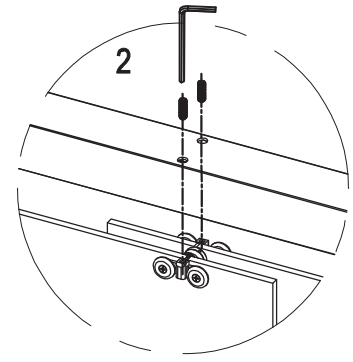
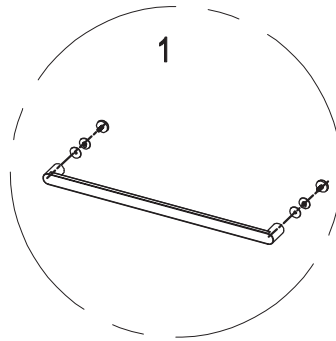
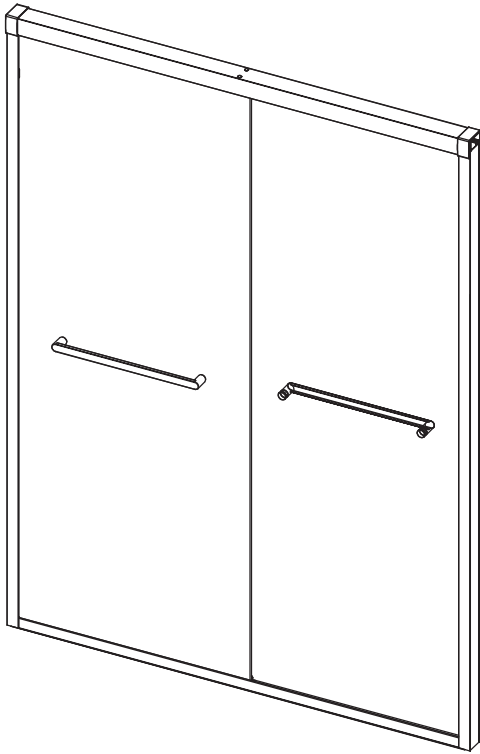
- 1** Move the two wall profiles to the installation position. The outer edge of the wall profile is flush with the shower tray.  
After the wall profile is adjusted to be perpendicular to the ground, a line is drawn on the wall to mark the drilling position. Note: When marking the drilling position, make sure it is in the center of the aluminum screw hole for easy installation and adjustment. Drill a hole of 06 at the marking on the wall, and put in the wall plug.



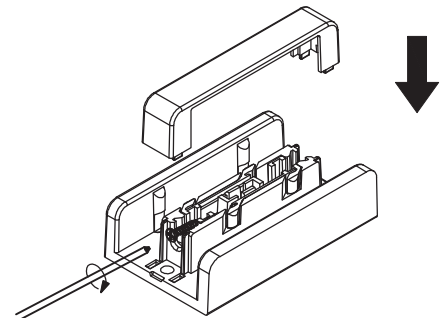
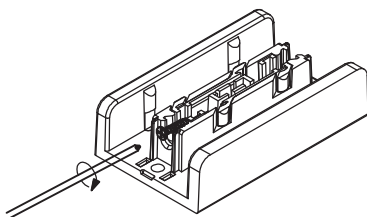
- 2** Put the top track on the wall and install the door panel:
1. Install the rollers to the door panel;
  2. Hang the door panel on the inner groove of the top track;
  3. Install the lower slide block on the bottom track;
  4. Adjust the glass height and ensure glass is level.

# CONTINUED

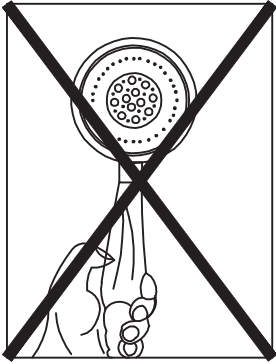
- 3**
1. Install handle.
  2. Install grub screw to roller bracket, tighten and install cover cap.
  3. Install top/bottom track covers.
  4. Install roller cap.



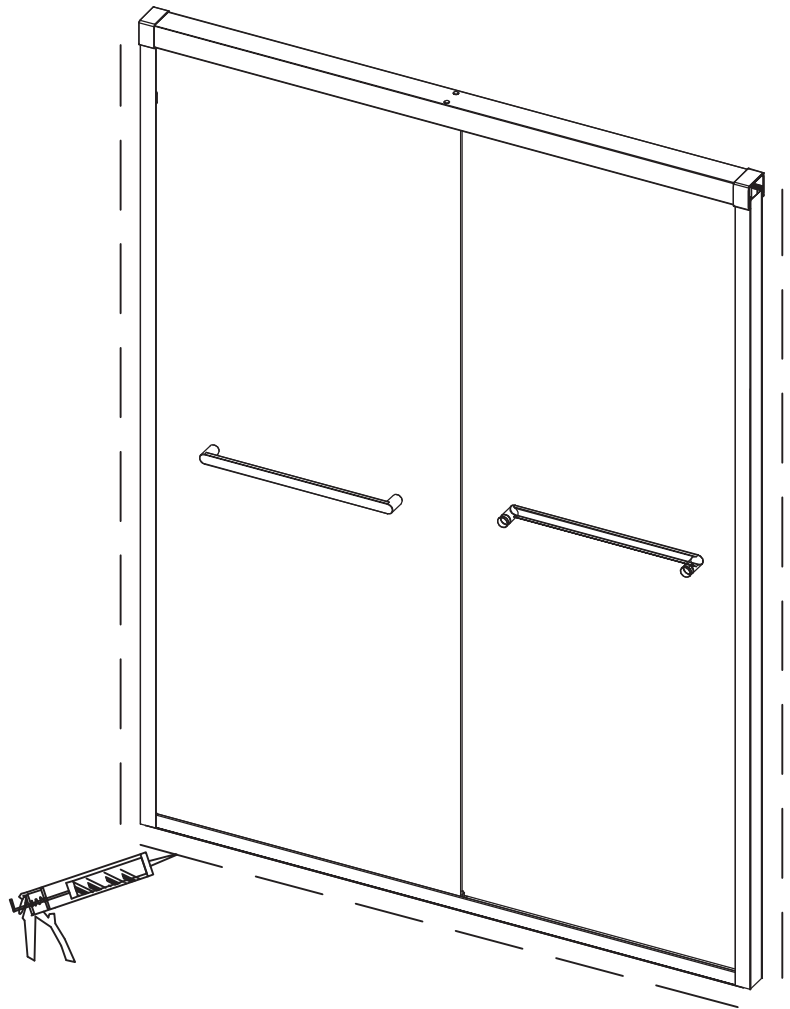
Adjust gap between guide block and glass.



24 HRS



**Do not use the enclosure  
for 24 hours after sealing.**



- 4 Apply silicone to inside and outside of the shower enclosure.

Do not use the enclosure for 24 hours after sealing.



Acritec Industries Corp.  
27049 Gloucester Way  
Langley, B.C. V4W 3Y3

Tel: 604.607.0856  
Fax: 604.607.0857  
Email: [info@acritec.com](mailto:info@acritec.com)  
Website: [www.acritec.com](http://www.acritec.com)