



Massage Systems & Bath Upgrades

Operation & Installation

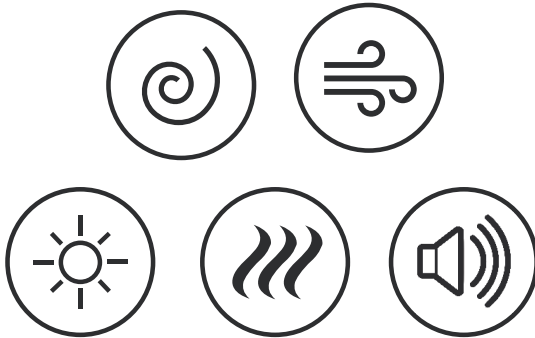


Table of Contents

1. Important Safety Warnings	3
General Handling	3
Safe Use	3
2. Installation	4
Pre-Installation Testing	4
Installation	4
Special Installation Considerations	4
3. System Guides	5
Hydromassage	5
Air Massage	5
Chromotherapy	6
ComfortWarm™	6
VIBE Sound	6
ComfortWarm™	6
4. Wiring & Component Diagrams	7
A - Hydromassage and/or Inline Heater	7
B - Air Massage	8
C - Chromotherapy	9
D - ComfortWarm™	9
E - Chromotherapy + ComfortWarm™ (2 panels)	10
F - Chromotherapy + ComfortWarm™ (1 panel)	11
G - Air massage + Chromotherapy + ComfortWarm™ (1 panel)	12
H - Hydromassage + Chromotherapy + ComfortWarm™ (2 panels)	13
I - Hydromassage + Chromotherapy + ComfortWarm™ (1 panel)	14
J - VIBE Sound + Chromotherapy	15
K - Aromatherapy (Diffuser System)	15

Important Safety Warnings

This bath was thoroughly inspected and tested prior to packaging and shipping. Please inspect this bath thoroughly for any handling damage prior to installation. Claims for damage must be identified within 48 hours of receipt and need to be directed to the Carrier. If any damage is discovered, all packaging must be retained, kept in good condition, and the bath should not be installed.

Handling

Massage baths have piping, hoses, wires, controls and motors preinstalled at the factory. These components must be handled with care. Do not lift or move the bath using any piping or accessories as this may cause leaks or other damage.

Acrylic products must not be exposed to the elements. Such exposure could cause deformation, warping, or discoloration which is not repairable. We suggest that the bath also be covered after installation to protect from construction site damage and debris.

Do not remove certification stickers from the bathtub until after a final building or plumbing inspection has occurred. Removal of any certification markings can delay plumbing approvals and may lead to other additional costs.

Safe Use

Exercise caution when using a bathtub. Serious Injury or death could result from improper or careless use. Please consider water temperature when filling the bathtub as water that is too hot can cause burns and may lead to medical distress. Do not use while intoxicated or incapacitated by drugs or alcohol. Do not use electrical appliances while in the bath. Do not leave children unattended in or near a bathtub containing water. Do not operate the bath if the hydromassage suction cover has been removed.



The bath must be installed in accordance with local and national building, plumbing, and electrical codes.

ACCESSORY	VOLTAGE	AMPERAGE	GFCI
Pump (Hydro Massage)	120V	7.9A	15A
Blower (Air Jets)	120V	8A	15A
Chromatherapy	120V	1A	15A
In-Line Heater (Hydro Massage)	120V	12A	15A
1 Panel ComfortWarm™	120V	1A	15A
2 Panel ComfortWarm™	120V	1A	15A
VIBE Sound	120V	0.5A	15A
Aromatherapy (Diffuser System)	120V	0.05A	15A

2 Installation

Pre-Installation Testing

Prior to final installation of the bathtub, we recommend water testing the bath. While your bath was thoroughly tested at the factory, final water testing on-site will ensure no leaks have developed during transit or handling.

1. Place the bathtub in an area with adequate drainage and ensure the bathtub is level.
2. Clean the bathtub thoroughly and inspect for any flaws or damage. Please refer to the care and maintenance manual.
3. Temporarily seal the drain area.
4. Fill the bath with water to at least 2" above the jet line.
5. Connect the bathtub to an electrical source using a GFCI protected circuit.
6. Operate the bathtub for approximately 20 minutes.
7. Inspect for leaks.
8. During this time, make sure to check all systems and controls to ensure trouble free operation.



Should a problem be found, do not install the bath until it is corrected.

Installation

Follow the steps shown in the bathtub installation manual provided separately. You can also find these instructions on our website.

Special Considerations

All motors and blowers require adequate airflow to both operate and cool effectively. Do not insulate directly around these units and do not install them in an airtight compartment.

Access must be provided should any motors, blowers, and control boxes need servicing. Ensure that a minimum 12" x 12" access point is provided adjacent to these components.



Electrical components must be connected in accordance with local and national electrical codes, and each component must be connected to a GFCI protected circuit.

Hydromassage

Water jet-based systems use a motor and impeller to recirculate bath water through a series of massage jets.

Components

Push Button Control This pneumatic push button uses air pressure to activate the pump. Pushing once will turn the pump on, and a second push turns it off.

Air Control Dial Hydromassage systems vary the intensity of the massage by introducing air into the jet body. Turning the dial counter-clockwise increases the air flow and the strength of the massage action. Turning the dial clockwise reduces it.

Suction At the low point of the massage system is a suction port covered with a protective trim. Do not block this port while the system is running as it will damage the motor. It is unsafe to operate the system without this cover in place.

Jets Jet ports each contain a directional ball that can be moved to guide the water flow. The directional ball can be moved by lightly pushing and rotating at its centre.



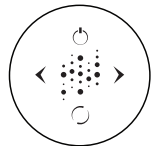
Jetted systems require regular cleaning regardless of whether they are used or not. The pipes automatically fill and drain whenever the bath is used.



As far as cleaning the existing pipes, we do not currently offer a specific product but, there are products in stores and online that are available. An example is the [Ahh-Some-Cleaner](#).

Air Massage

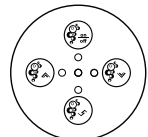
Air based systems use an air blower to push air through a heating element and then through a series of pipes and jet ports around the perimeter of the bath. These systems have a single electronic touch control pad.



Air Massage Keypad Only

On the control pad there are buttons for on / off and arrows to either increase or decrease the air volume. A final button will engage a variable flow pattern which gradually increases then decreases air flow.

All systems are preprogrammed with an auto-purge cycle. This will turn the system on for a 1-minute cleaning cycle approximately 20 minutes after the system's last use.

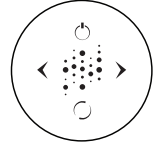


Air Massage + Chromotherapy Keypad

Chromotherapy

All light systems utilize wide spectrum, high brightness LED lights mounted below the water line. The LED lights produce 7 pure colours and up to 21 blended colours. The system is operated through an electronic touch control pad.

On the control pad there are buttons for on / off and arrows to cycle through the 7 pure colours. The central button will start or pause a slow cycle between the 7 colours and produce blended colours.



Chromotherapy Keypad Only

ComfortWarm™

This system features one or more radiant heating pads installed onto the backside of the bath's backrest. This system operate through a single push button pad.

Pushing the button once will turn the system on a high heat setting. Pushing the button a second and third time will cycle the system to medium then low heat settings. The fourth push will turn the system off.

The system will automatically turn off after 30 minutes of continuous use.

VIBE Sound

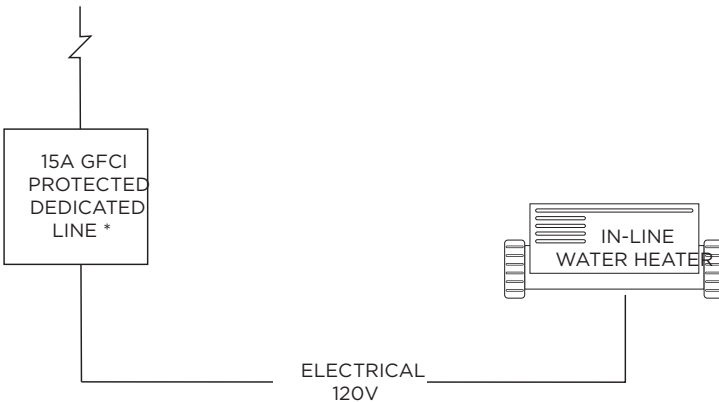
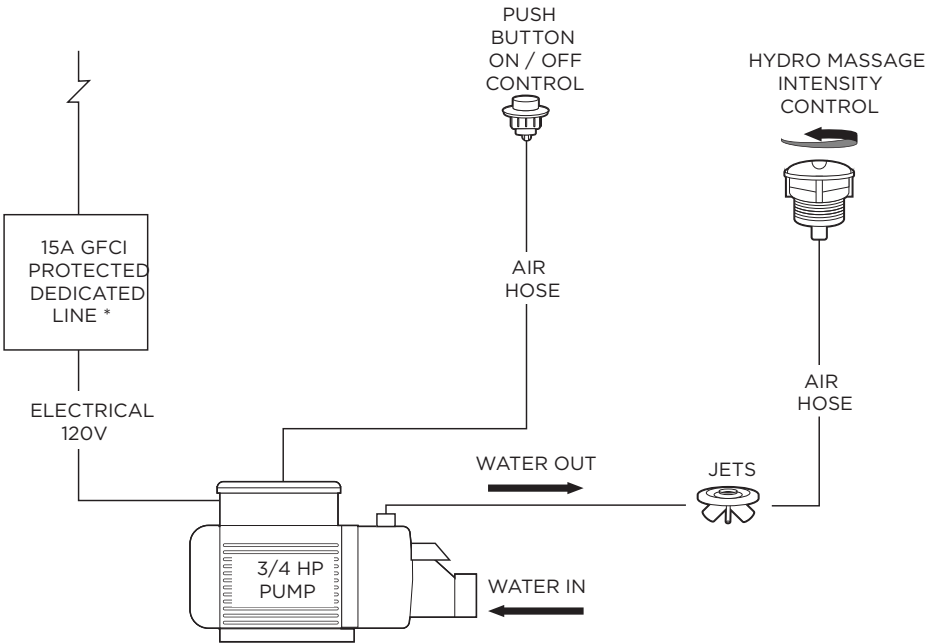
The Vibe System allows you to enjoy your music or radio at the touch of a button in your shower or bathtub. The vibes of the music are synchronized with a Chromatherapy system that will change colors in synch with every beat of your favorite music.

Aromatherapy

Only a few drops of fragrance are needed. The system works using a pump which leads the air towards the receptacle which is filled with a combination of water and a few essential oil drops. Once the aromatherapy system is turned on, the diffuser spreads the natural scent of the essential oil into the ambient air.

Wiring & Component Diagrams **4**

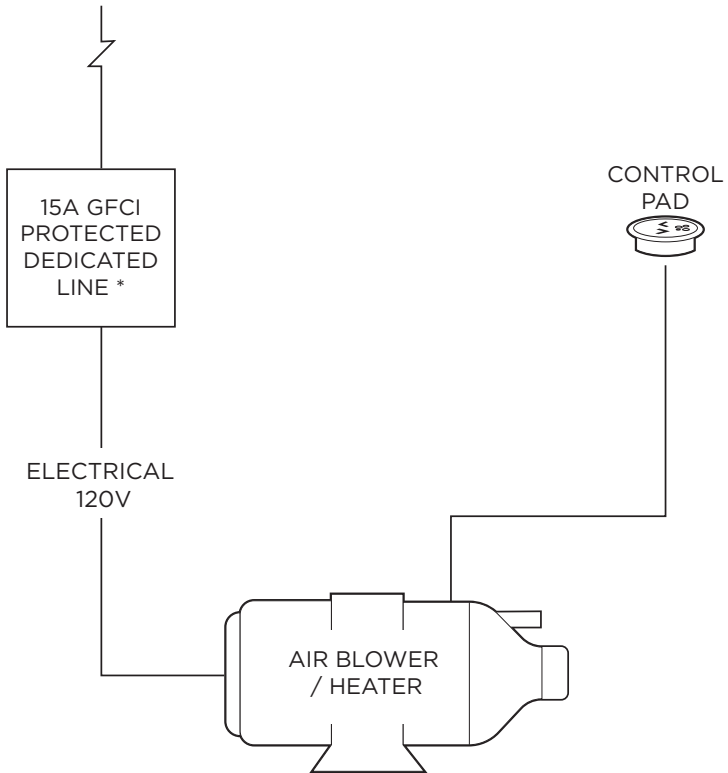
A: Hydromassage and/or Inline Heater



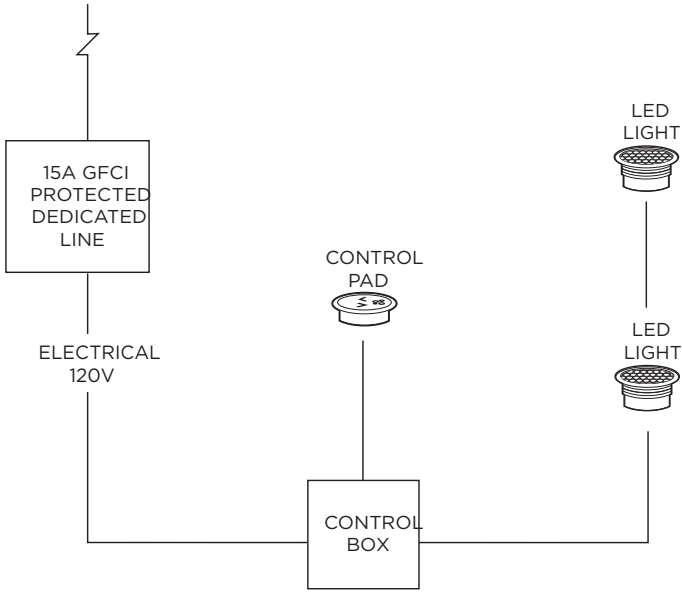
B: Air Massage

The air is heated at the output of the blower to provide as comfortable an experience to the bather as possible. The way to test if the air is warm is to touch the hose at the output of the blower. the blowers you use have a 600W heating element which is the most powerful one

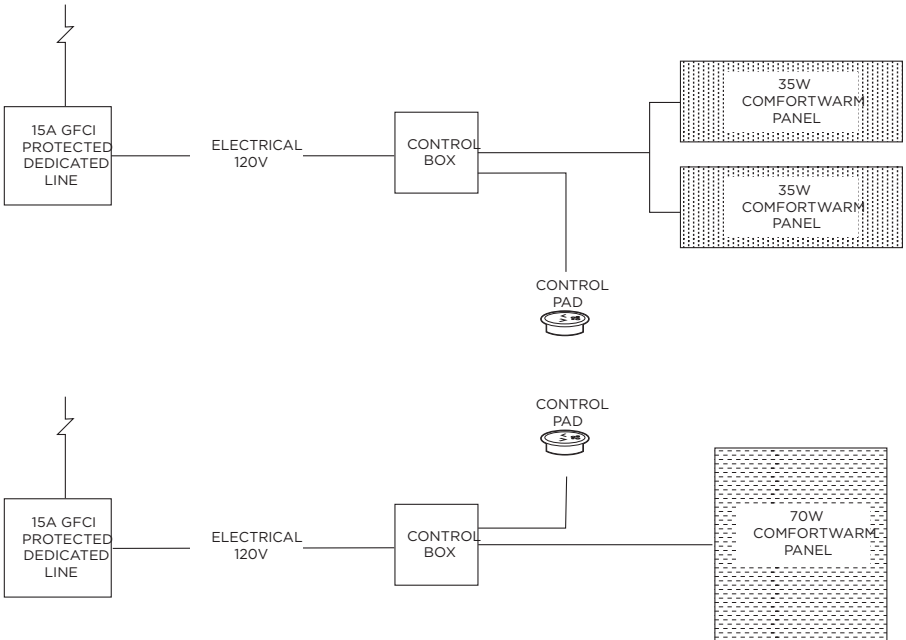
What may cause a feeling of cool air is the fact that, being in a bath, the dry air, even though it is warm, creates evaporation on the skin which in turn may create a feeling of coolness, but the air itself is indeed warm.



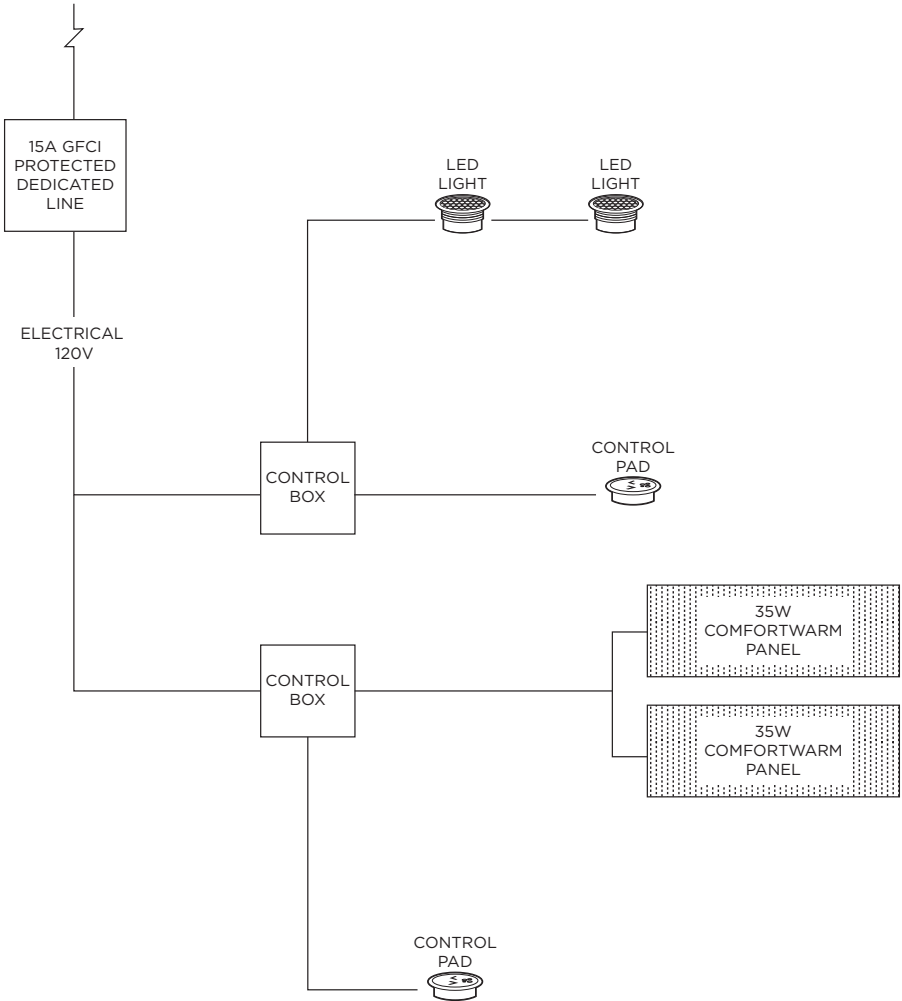
C: Chromotherapy



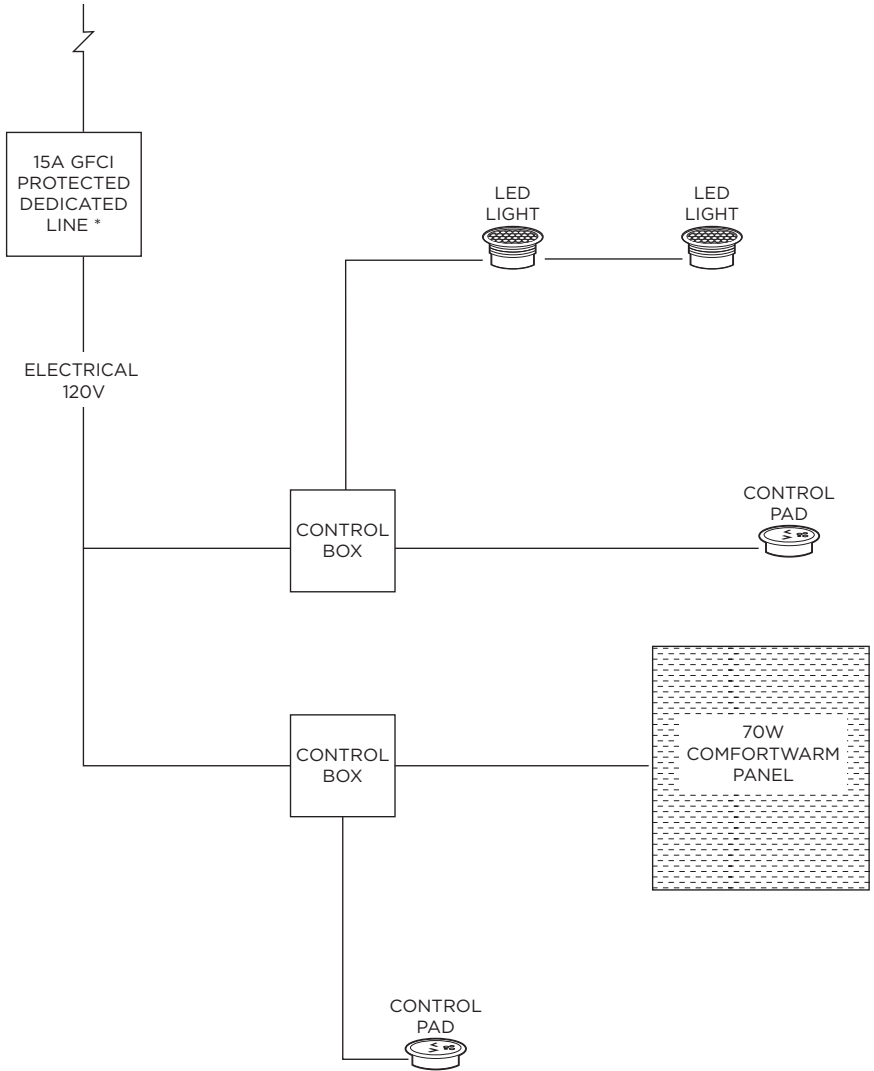
D: ComfortWarm™



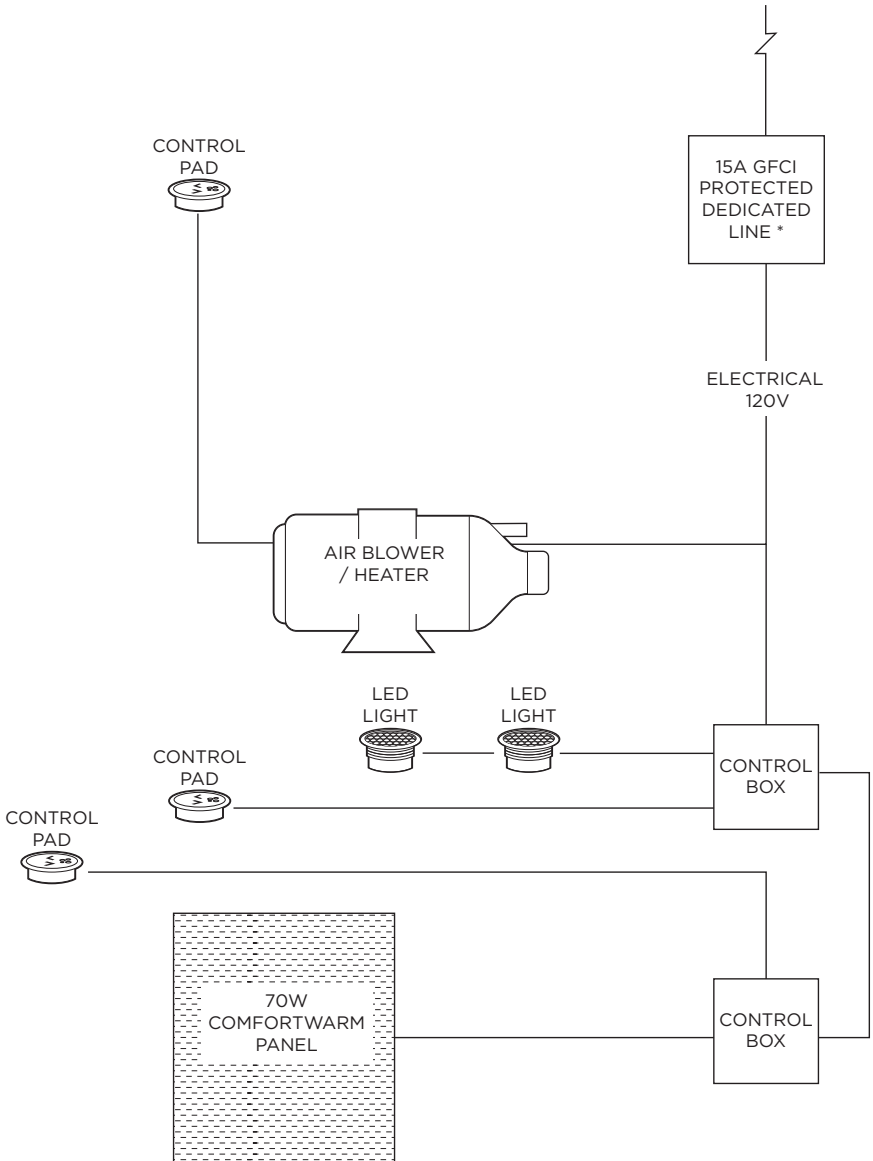
E: Chromotherapy + ComfortWarm™ (2 panel installation)



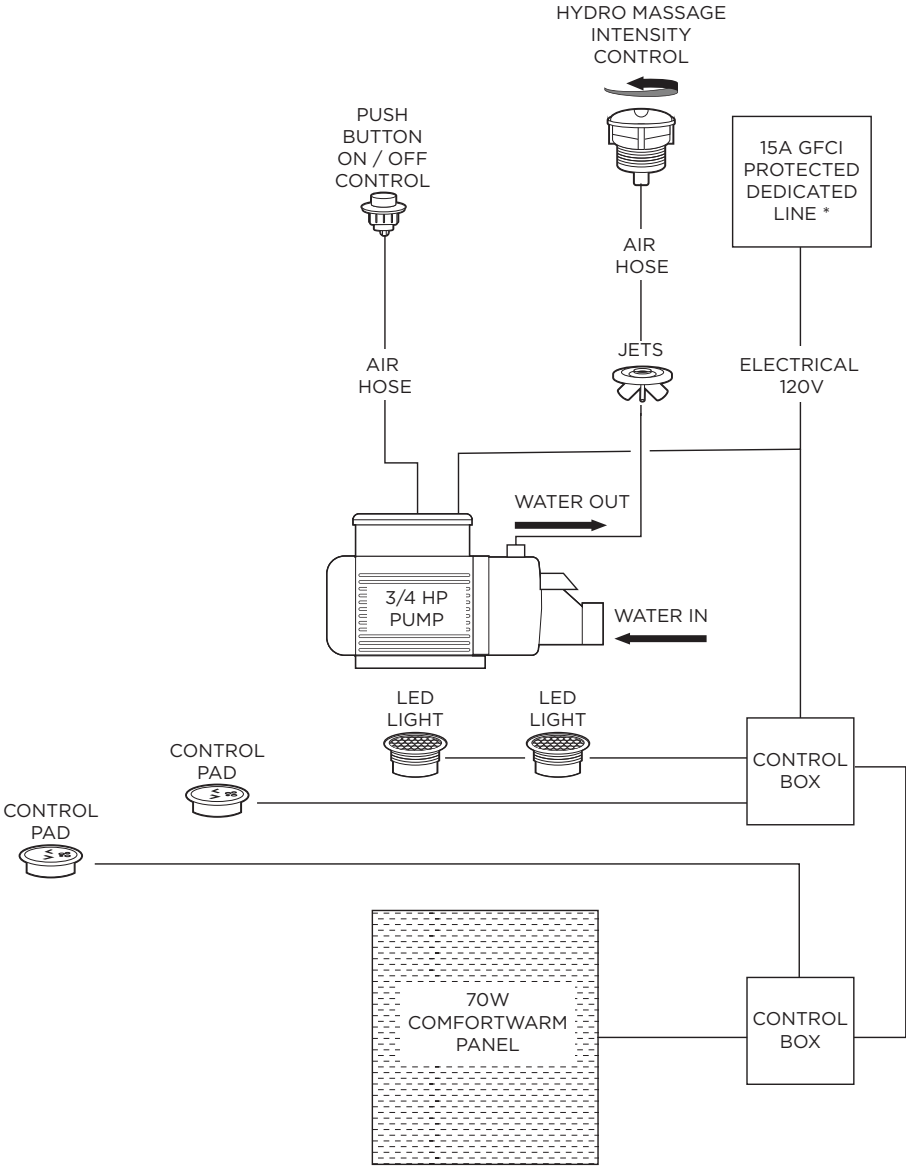
F: Chromotherapy + ComfortWarm™ (1 panel installation)



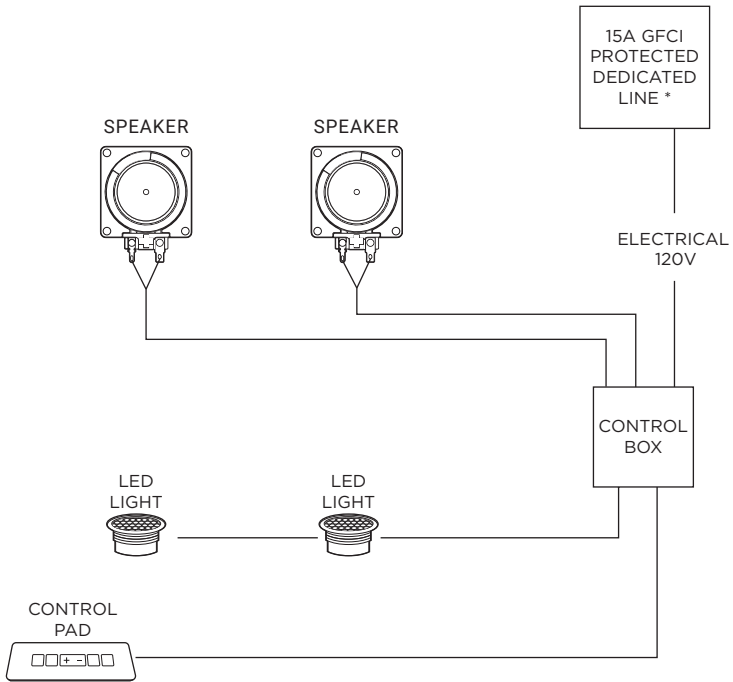
G: Air Massage + Chromotherapy + ComfortWarm™ (1 panel installation)



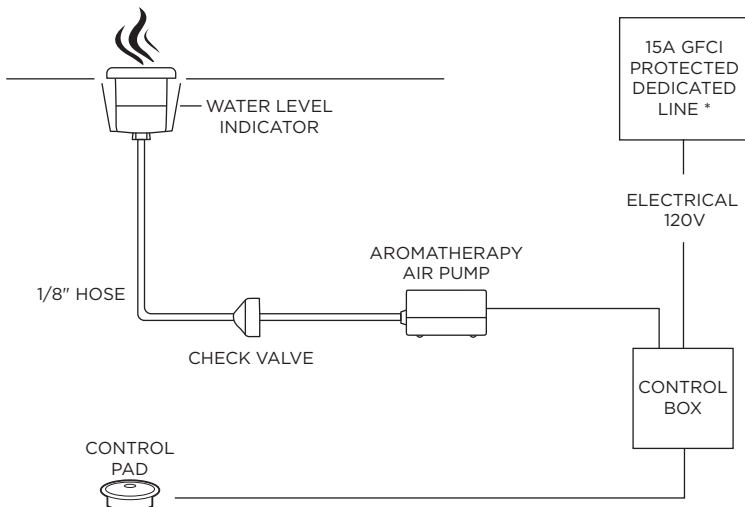
I: Hydromassage + Chromotherapy + ComfortWarm™ (1 panel installation)



J: VIBE Sound + Chromotherapy



K: Aromatherapy (Diffuser System)





Acritec Industries Corp.

27049 Gloucester Way
Langley, B.C. V4W 3Y3

Tel: 604.607.0856

Fax: 604.607.0857

Email: customerservice@acritec.com

Website: www.acritec.com