



Abbott

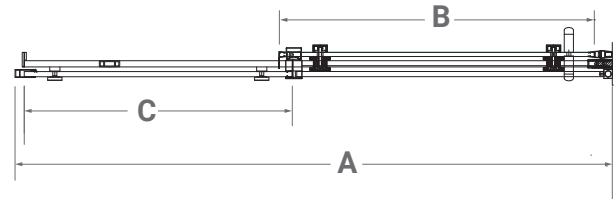
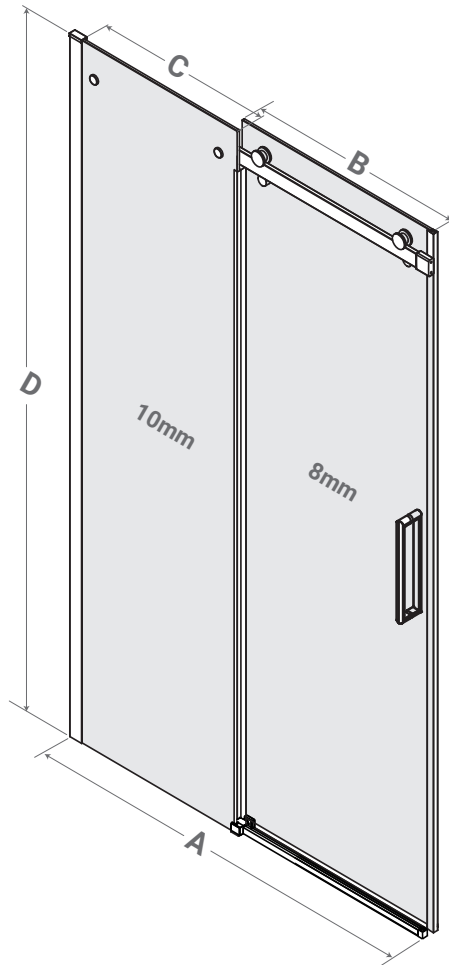
Single Threshold Rolling Door

Product Specifications

- 10mm Tempered glass wall panels with easy cleaning protective coating
- 8mm Tempered door panel with easy cleaning protective coating
- Stainless steel (INOX) hardware for improved durability
- Die-cast aluminum handle, with a polished chrome or brushed nickel finish
- Dual seal profiles for improved water retention
- 1 Year limited manufacturer's warranty included

Design Features

- Reversible
- Translucent full length seals
- Easy adjustment door system
- Semi-frameless design
- Magnetic closure



Nominal Base Size	A Finished Span	B Door Panel	C Fixed Panel	D Height	Chrome Part #	Brushed Nickel Part #	Matte Black Part #
48"	45 5/8" - 46 5/8"	24 3/8"	20 3/4"	78 3/4"	57063	N/A	57064
60"	57 5/8" - 58 5/8"	30 1/4"	26 3/4"	78 3/4"	57073	N/A	57074
66"	63 5/8" - 64 5/8"	33 3/8"	29 3/4"	78 3/4"	57083	57080	N/A
72"	69 5/8" - 70 5/8"	36 3/8"	32 5/8"	78 3/4"	57093	57090	N/A

Acritec Industries Corp.

27049 Gloucester Way
Langley, B.C. V4W 3Y3

Tel: 604.607.0856

Fax: 604.607.0857

Email: info@acritec.com

Website: www.acritec.com

Important

*While we strive to provide accurate measurements for our customers, sometimes mistakes happen. Our goal is to help things run smoothly from shipment to installation, so if you notice any errors in our spec sheets, please let us know.

Our products are handmade & hand finished so you can expect a tolerance of $\pm 1/4"$ on all measurements. We strongly recommend waiting until your ordered product is on-site before attempting any rough-in carpentry or plumbing.

If you want to verify any of our measurements, please feel free to call or email us.

*Drawings are not to scale

In keeping with our policy of continuing product improvement, Acritec Industries Corp. reserves the right to change product specifications without notice.