



## Installation Manual / Manuel d'installation

### IMPORTANT

- Thoroughly inspect all components before installing.
- The warranty will be voided if the product is installed with a conspicuous defect.

### CAUTION

- Silicone must be applied on the outside of the shower.
- Read all instructions carefully before commencing installation.
- Save this manual for future reference.

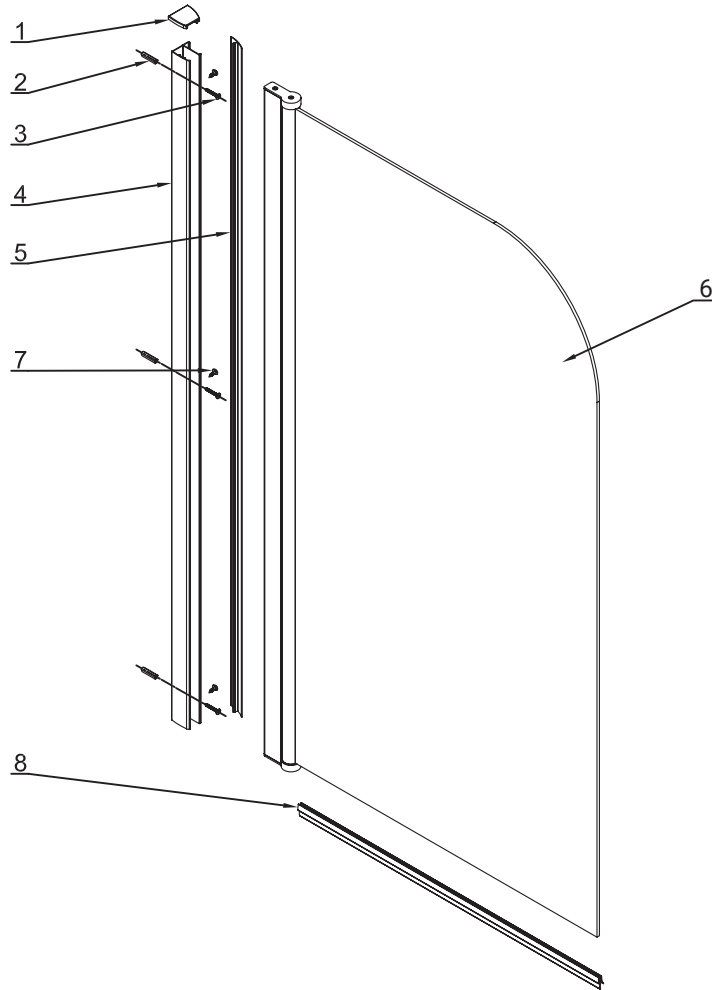
### IMPORTANT

- Inspecter le produit avant de procéder à l'installation.
- La garantie sera invalide si le produit a été installé avec des défauts apparents

### ATTENTION

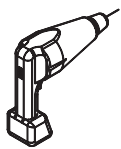
- Lors de l'installation, l'application de silicone doit être à l'extérieur de la douche
- Veuillez lire attentivement ce manuel d'instruction avant de commencer l'installation.
- Conserver ce manuel pour référence ultérieure.

# PARTS LIST



1	Wall profile cap x 2 ( 1 x L, 1 x R)	4	Wall profile x 1	7	ST 4 x 12 B head screw x 3
2	Wall plugs x 3	5	Cover strip x 1	8	Seal x 1
3	ST 4 x 30 B head screw x 3	6	Pre-assembled glass panel x 1		

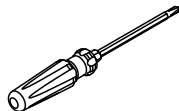
# TOOLS AND MATERIALS REQUIRED



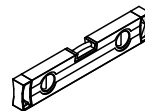
DRILL



SCREWS



SCREWDRIVER



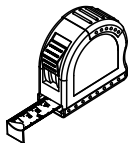
LEVEL



MALLET



MASONRY DRILL  
BITS: 1/8" and 1/4"



MEASURING TAPE



SET SQUARE



PENCIL



SILICONE

## IMPORTANT

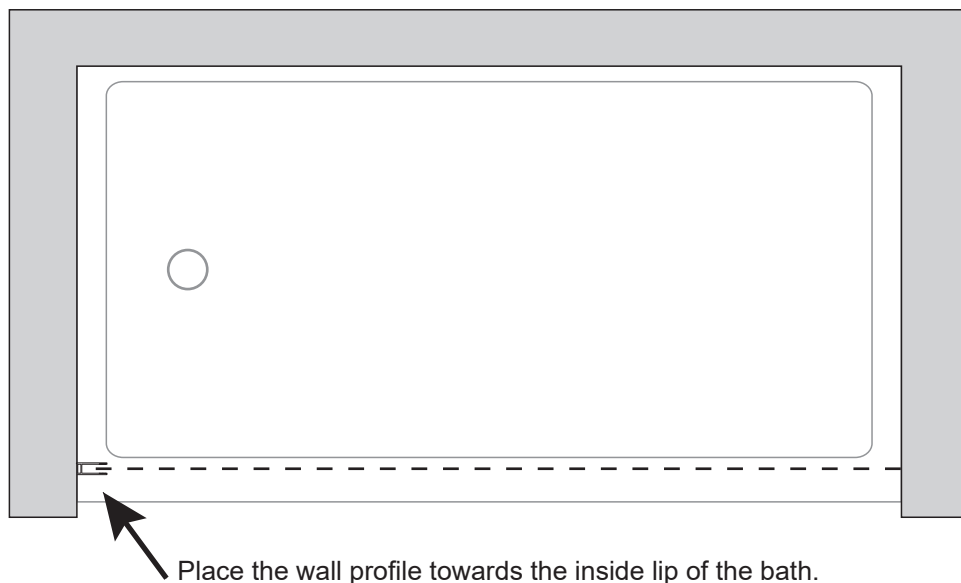
Check the contents of the package and product carefully before installation. Acritec will not be held responsible for any de-fit/ re-fit costs where faulty product has been installed.

Handle glass with care. Although the glass supplied is toughened safety glass (EN12150), impacts can damage both the glass and the frame.

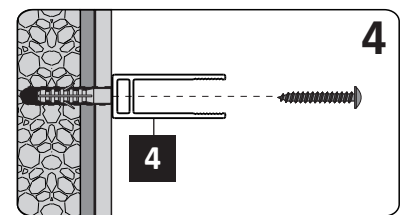
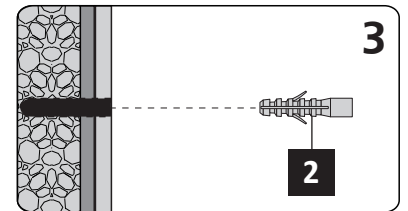
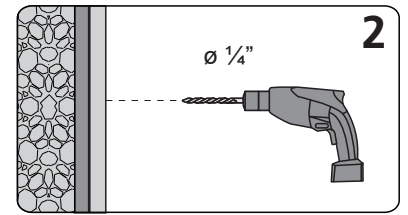
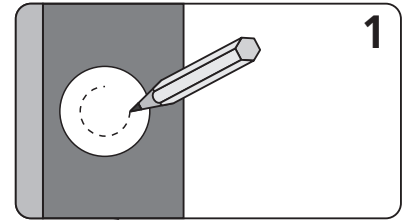
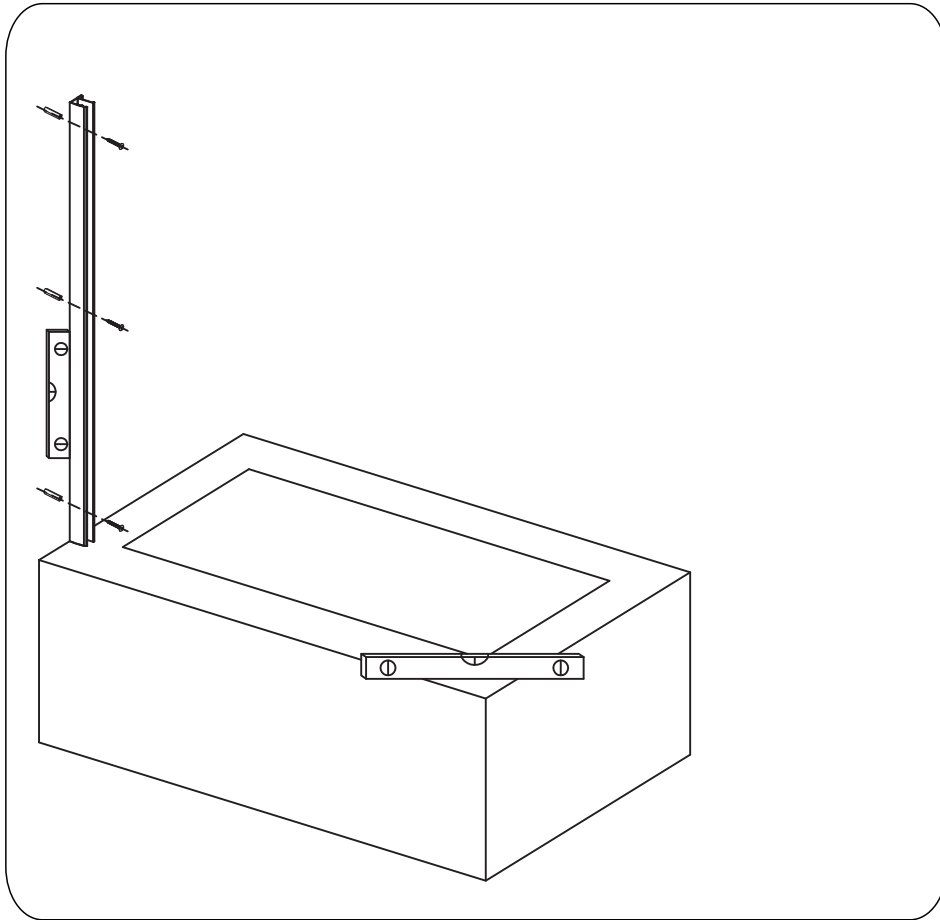
Make sure there are no hidden pipes or cables in the wall where you intend to drill. Ensure that the bathtub has been installed as per the manufacturer's instructions. The tray should be level, and the walls tiled down to the tray. The horizontal edge between the tiles and the tray must be sealed with silicone sealant, to ensure water-tightness.

This product requires two people in order to ensure a safe installation and minimize any risk of damage or injury.

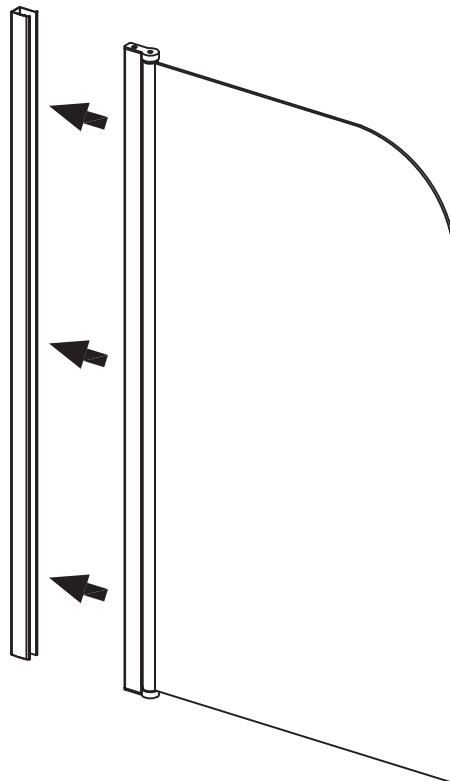
## INSTALLING THE WALL PROFILE



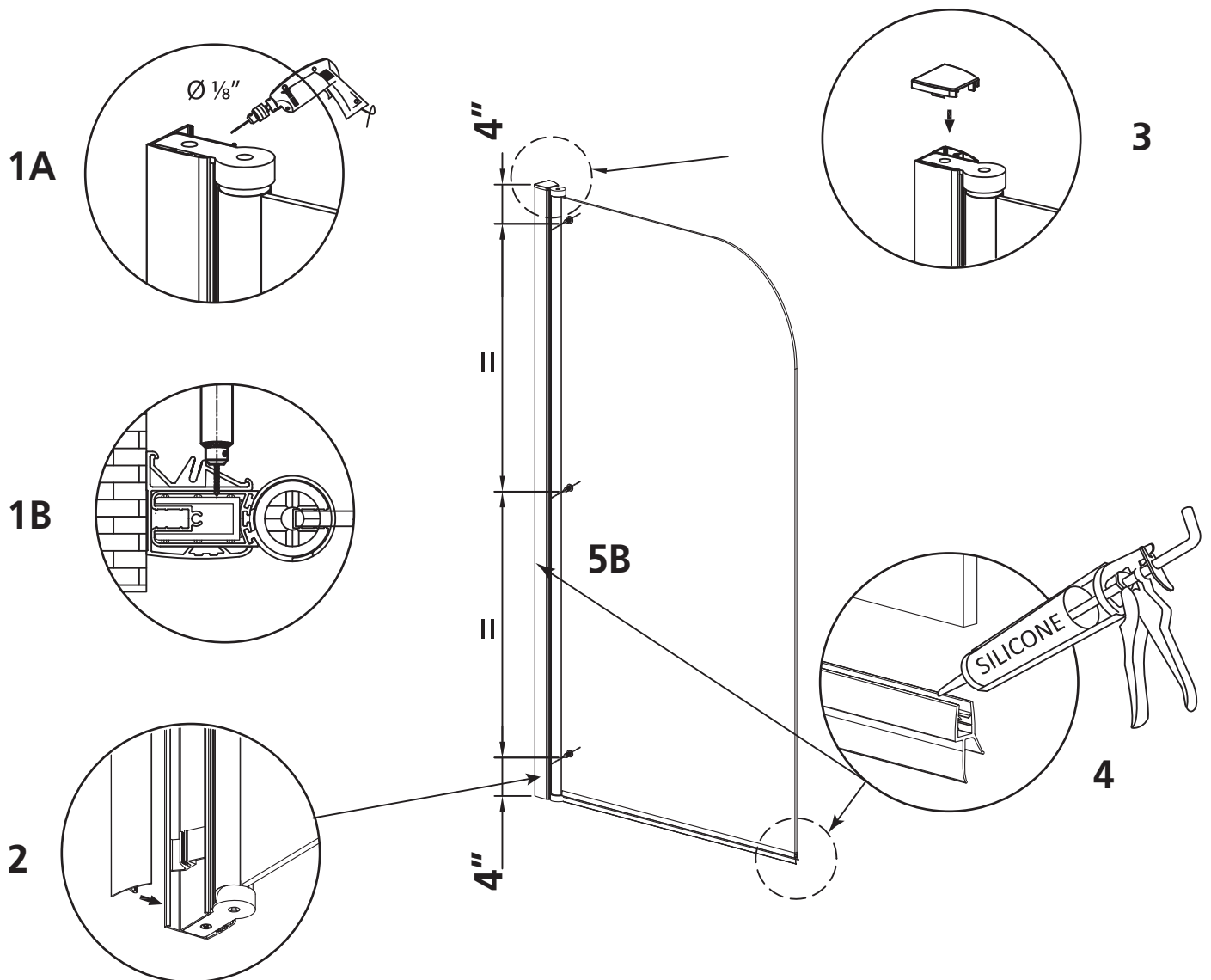
## INSTALLING THE WALL PROFILE CONTINUED



## INSTALLING THE GLASS PANEL

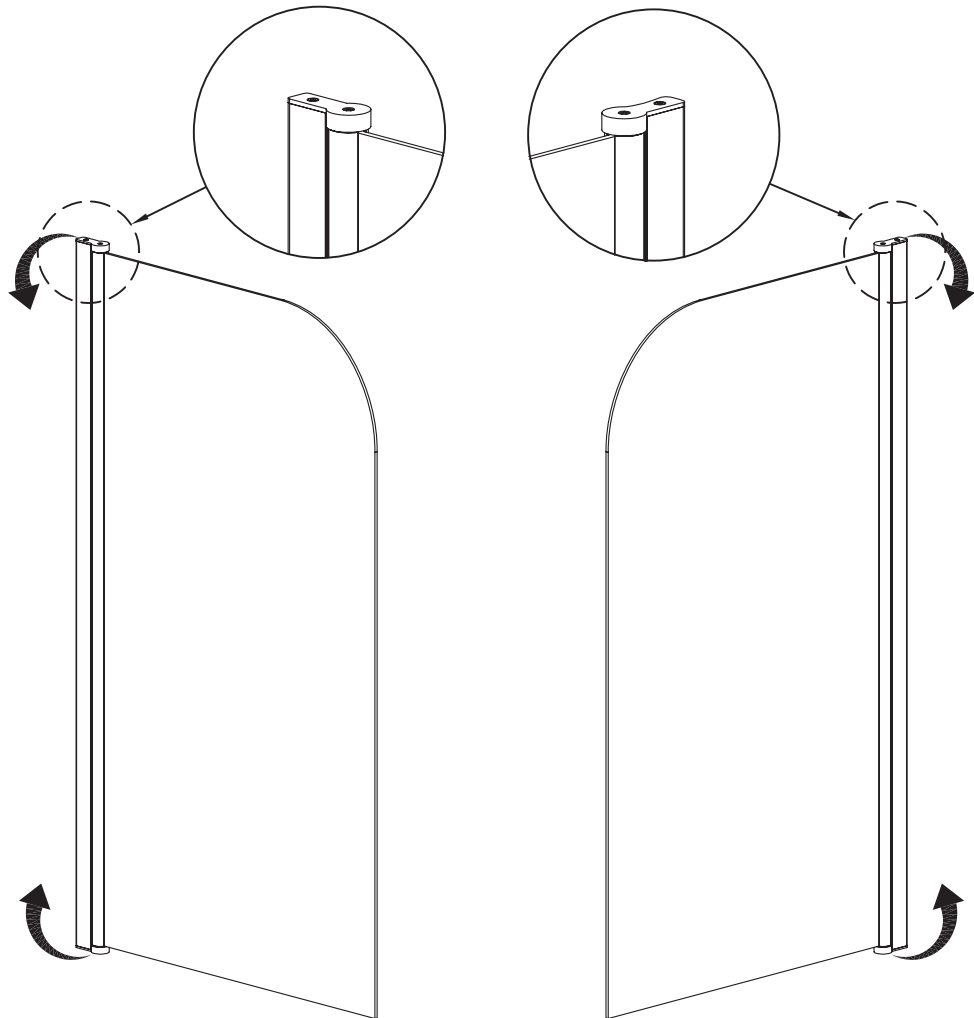


# ASSEMBLY



- 1A. & 1B.** Using a  $\frac{1}{8}$ " drill bit make 3 holes where the wall profile overlaps with the pre-assembled door panel. Secure the profiles together using the ST4 x 12 B head screws.
- 2.** Fit cover strip (5) to the wall profile.
- 3.** Fit one cover cap (1) to the pre-assembled door panel and the remaining cover cap (1) to the top of the wall profile.
- 4.** Fit the seal (8) to bottom of the pre-assembled glass panel (6). Apply Silicone to seal (8) and affix to glass panel.
- 5.** Apply along the outside edge bath screen between the wall and the extrusion and along bathscreen within 24 hours after applying silicone.

## LH / RH CONFIGURATION



1. Loosen the screws that secure the pivots.
2. Move the bottom pivot to the top, and the top pivot to the bottom.