



Cetus 67

Product #: 48012

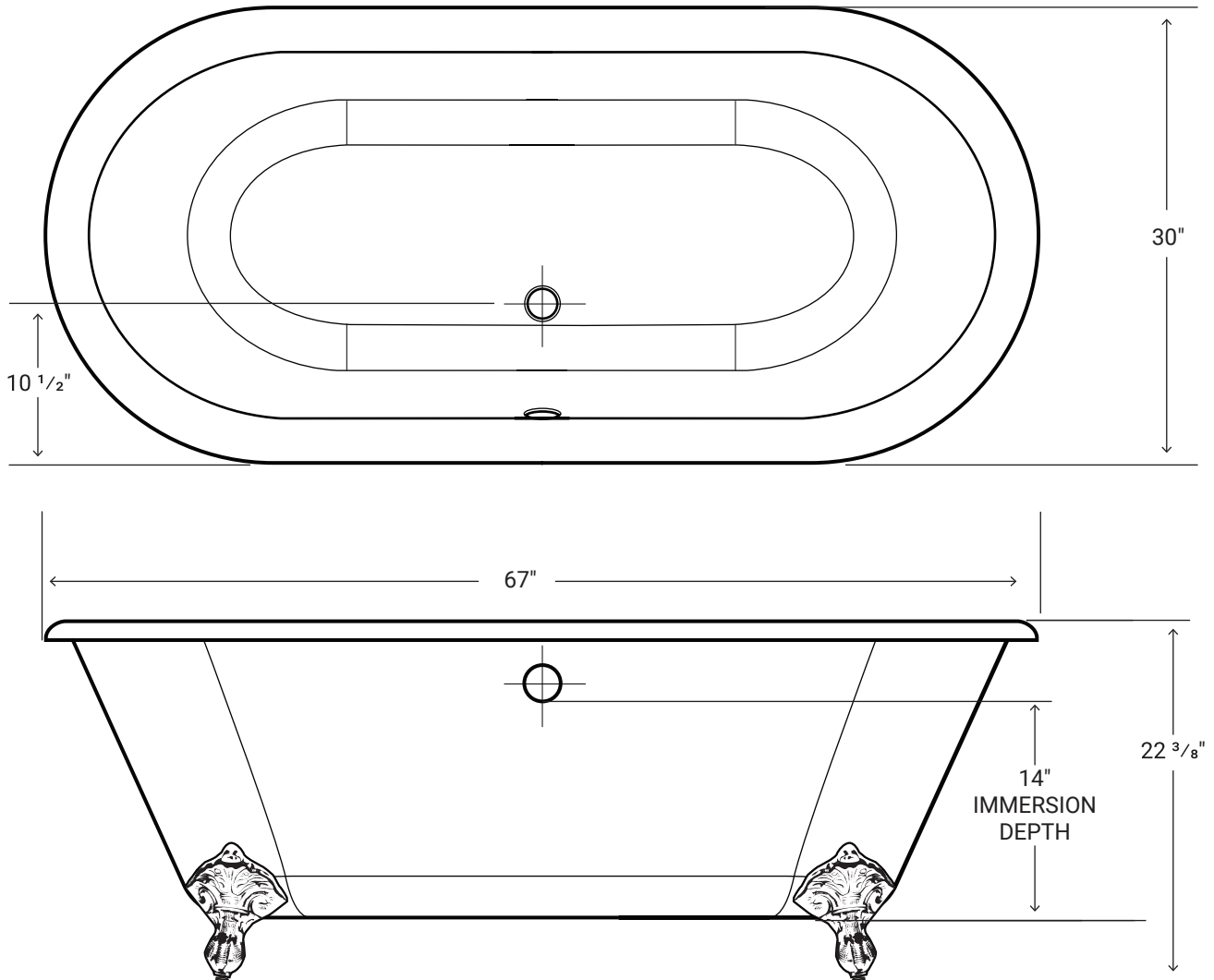
67" x 30" x 22 3/8" | Immersion Depth: 14"

DESIGN FEATURES

- Cast Iron
- Oval interior
- Rolled edge for comfortably resting your neck while bathing
- Gently sloping backrests
- Adjustable Leveling hardware on feet
- Filigree ball-and-claw feet
- Interior: White, porcelain enamel fired finish
- Exterior: hand finished white paint

PRODUCT SPECIFICATIONS

- Water Capacity - 47 US Gallons
- Weight: 324 lbs
- Immersion Depth: 14"
- 1 year limited manufacturer's warranty
- Faucets & overflow sold separately
- Certified to:
ASME A112.19.1
CSA B45.2-2013



Acritec Industries Corp.

27049 Gloucester Way
Langley, B.C. V4W 3Y3

Tel: 604.607.0856

Fax: 604.607.0857

Email: info@acritec.com

Website: www.acritec.com

In keeping with our policy of continuing product improvement, Acritec Industries Corp. reserves the right to change product specifications without notice.

Important

*While we strive to provide accurate measurements for our customers, sometimes mistakes happen. Our goal is to help things run smoothly from shipment to installation, so if you notice any errors in our spec sheets, please let us know.

Our products are handmade & hand finished so you can expect a tolerance of $\pm \frac{1}{4}$ " on all measurements. We strongly recommend waiting until your ordered product is on-site before attempting any rough-in carpentry or plumbing.

If you want to verify any of our measurements, please feel free to call or email us.

*Drawings are not to scale