



## Makara

Product #: 48025



67" x 30" x 32" | Immersion Depth: 15"

### Design Features

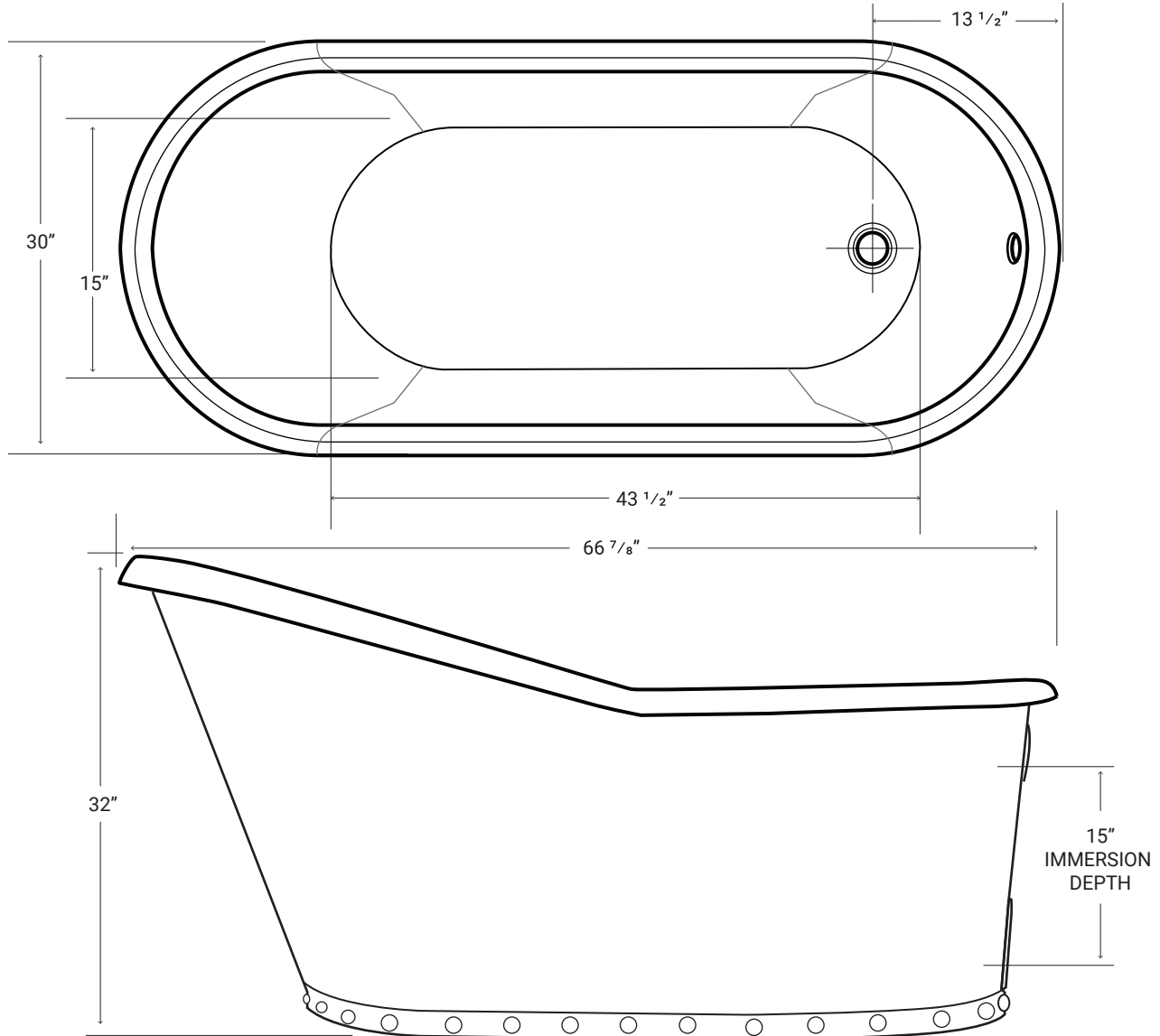
- Cast Iron
- Oval interior
- Gently sloping backrests
- Rolled edge for comfortably resting you neck while bathing
- Interior: White, porcelain enamel fired finish
- Exterior: hand finished white paint with rivets

### Product Specification

- Water Capacity ~ 50 US Gallons
- Weight: 492 lbs
- 1 year limited manufacturer's warranty
- Faucets & overflow sold separately
- Certified to:  
ASME A112.19.1  
CSA B45.2-2013

### Available Upgrades

- Roughin EZ



**Acritec Industries Corp.**

27049 Gloucester Way  
Langley, B.C. V4W 3Y3

**Tel:** 604.607.0856

**Fax:** 604.607.0857

**Email:** info@acritec.com

**Website:** www.acritec.com

In keeping with our policy of continuing product improvement, Acritec Industries Corp. reserves the right to change product specifications without notice.

**Important**

\*While we strive to provide accurate measurements for our customers, sometimes mistakes happen. Our goal is to help things run smoothly from shipment to installation, so if you notice any errors in our spec sheets, please let us know.

Our products are handmade & hand finished so you can expect a tolerance of  $\pm \frac{1}{4}$ " on all measurements. We strongly recommend waiting until your ordered product is on-site before attempting any rough-in carpentry or plumbing.

If you want to verify any of our measurements, please feel free to call or email us.

\*Drawings are not to scale