



## **34" x 36"**

Product # 63085

---

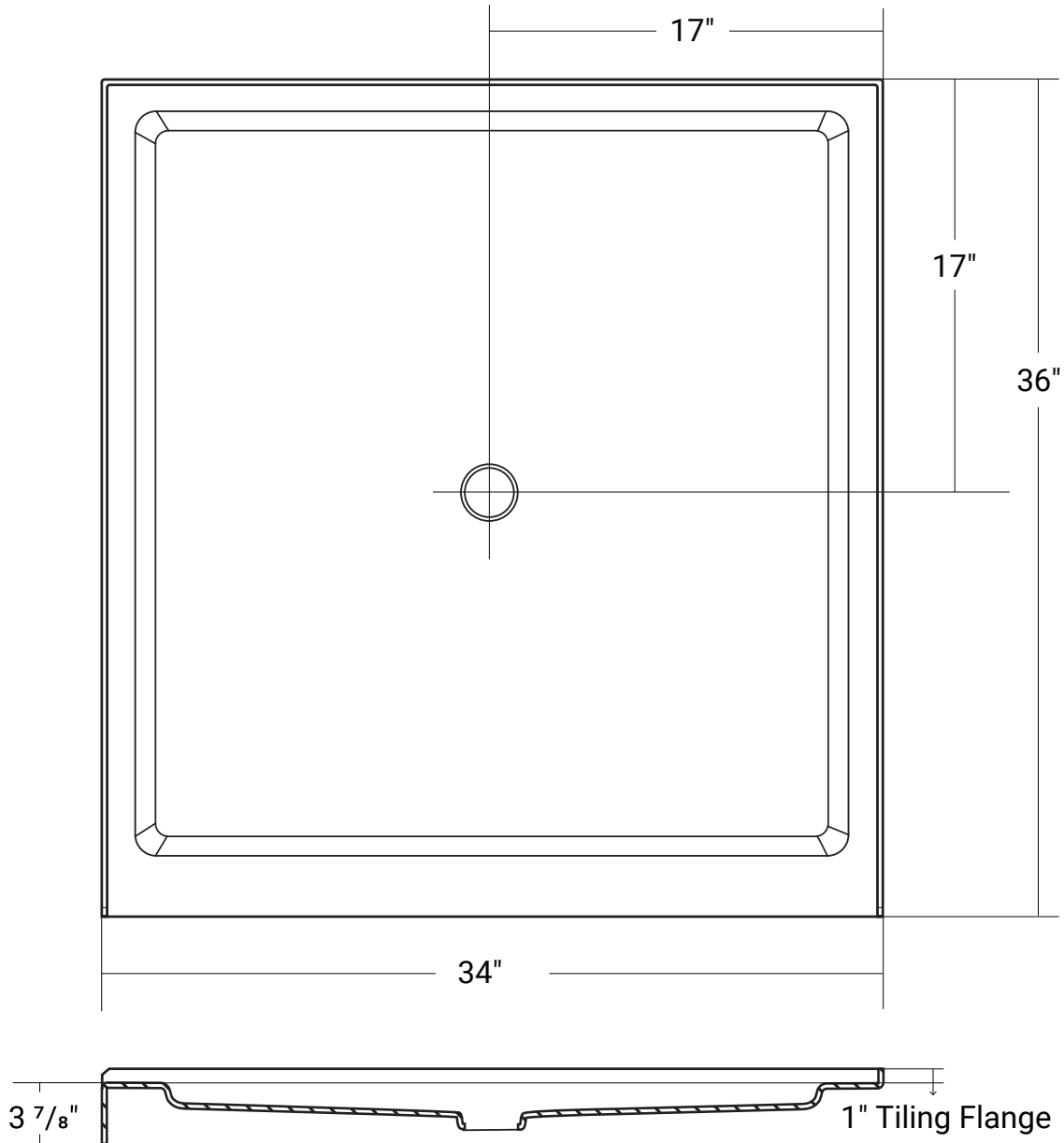
Low Profile | Single Threshold

### **Product Specifications**

- 100% Acrylic with fiberglass & wood reinforcement
- Pre-Levelled
- Available in white
- 1 year limited manufacturer's warranty included

### **Design Features**

- Standard 3  $\frac{3}{8}$ " shower drain opening
- Shower base trimmed to fit 34" x 36" rough opening
- integral 1" tiling flange for easy installation



**Acritec Industries Corp.**

27049 Gloucester Way  
Langley, B.C. V4W 3Y3

**Tel:** 604.607.0856

**Fax:** 604.607.0857

**Email:** info@acritec.com

**Website:** www.acritec.com

In keeping with our policy of continuing product improvement, Acritec Industries Corp. reserves the right to change product specifications without notice.

**Important**

\*While we strive to provide accurate measurements for our customers, sometimes mistakes happen. Our goal is to help things run smoothly from shipment to installation, so if you notice any errors in our spec sheets, please let us know.

Our products are handmade & hand finished so you can expect a tolerance of  $\pm 1/4"$  on all measurements. The water pooling on the Acritec acrylic shower bases of 4 inches is a normal tolerance. This is natural because of the surface tension of the water on plastic surfaces. We strongly recommend waiting until your ordered product is on-site before attempting any rough-in carpentry or plumbing.

If you want to verify any of our measurements, please feel free to call or email us.

\*Drawings are not to scale

