

# Drop-In Basins

## Installation Manual

---

### Important

- Thoroughly inspect your product before proceeding with the installation.
- The warranty will be void if the product is installed with a conspicuous defect.

### Caution

- Read all instructions carefully before starting the installation.
- Save this manual for future reference.

### **Acritec Industries Corp.**

27049 Gloucester Way  
Langley, BC V4W 3Y3

**Tel:** 604.607.0856

**Fax:** 604.607.0857

**Email:** [info@acritec.com](mailto:info@acritec.com)

**Website:** [www.acritec.com](http://www.acritec.com)

In keeping with our policy of continuing product improvement, Acritec Industries Corp. reserves the right to change product specifications without notice.



## Before You Begin

---

Before starting your installation, please take a few minutes to read these instructions carefully.

Ensure that the correct item has been received as ordered.

Consult local building/plumbing codes and ensure that the installation complies with local standards.

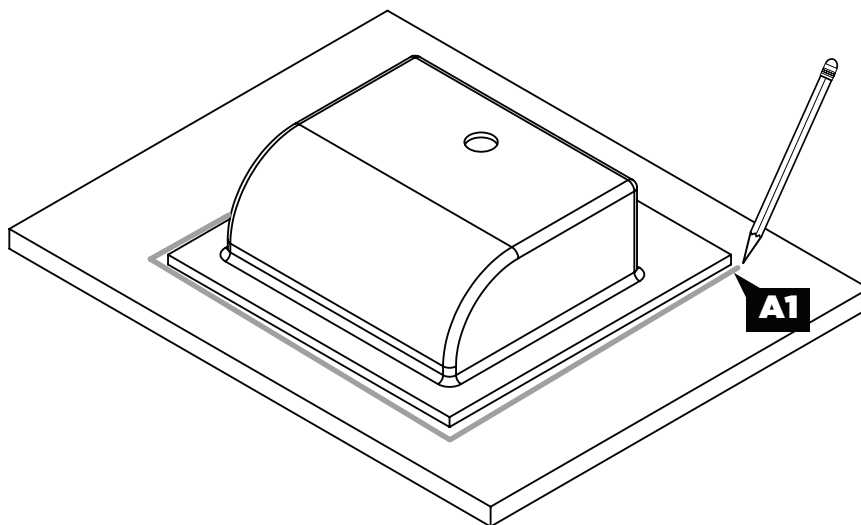
Prior to installation ensure there is adequate clearance between the backsplash, faucet, fixtures and cabinets for the new basin.

Remove the item from its packaging and inspect it thoroughly for damage and defects. Damage claims must be made directly to the freight carrier. Defective or damaged items must not be installed.

Do not cut your counter-top before receiving your sink. All measurements should be checked against the actual sink to ensure proper fit.

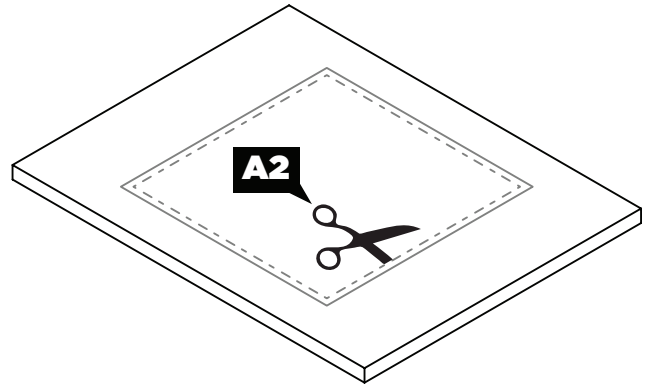
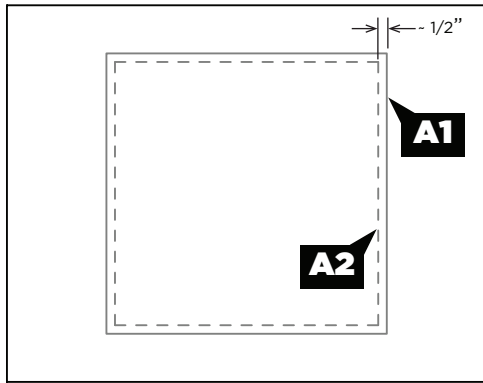
## Site Preparation

---



### Step 1

Place the basin upside down on the counter-top in the desired installation position. Check for any obstructions within the cabinet when adjusting the basin's positioning. Trace the profile of the basin onto the counter-top. (A1).

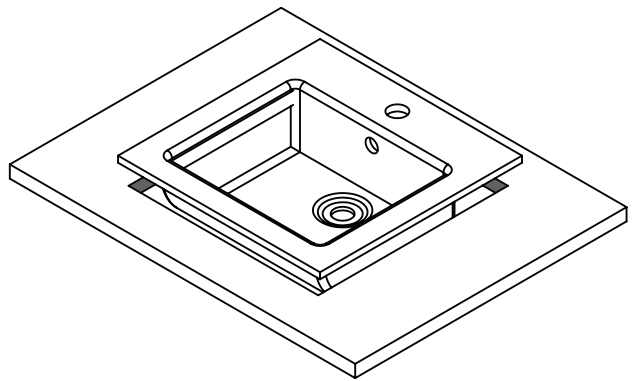
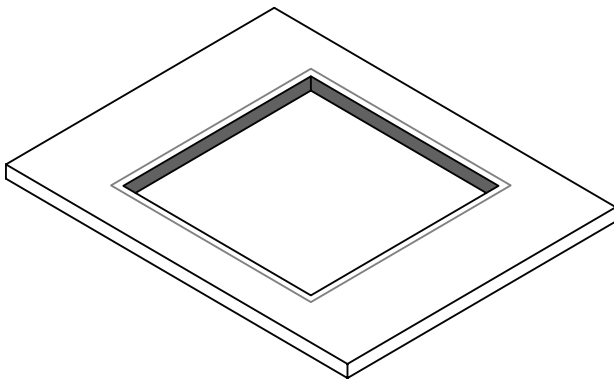


## Step 2

Measure inward from the traced profile (A1) approximately  $\frac{1}{2}$ " and mark the new, smaller profile on the counter-top (A2). Ensure the smaller profile has adequate clearance for all plumbing connections. Cut the counter-top along A2 using the method recommended by your counter-top manufacturer.

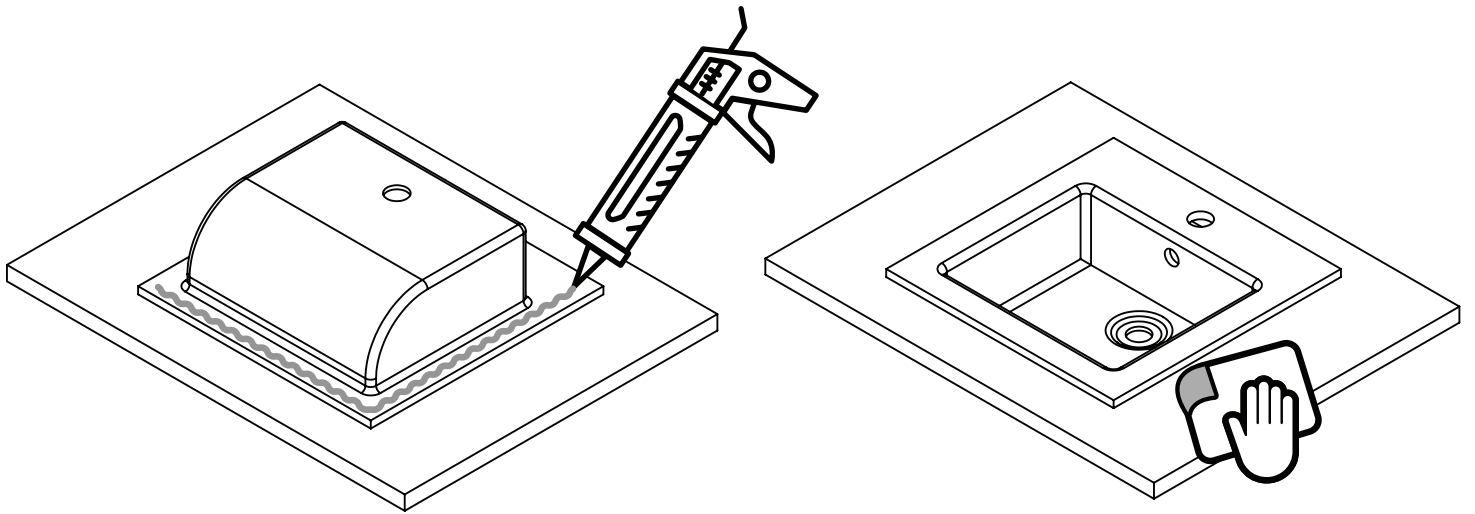
## Installation & Finishing

---



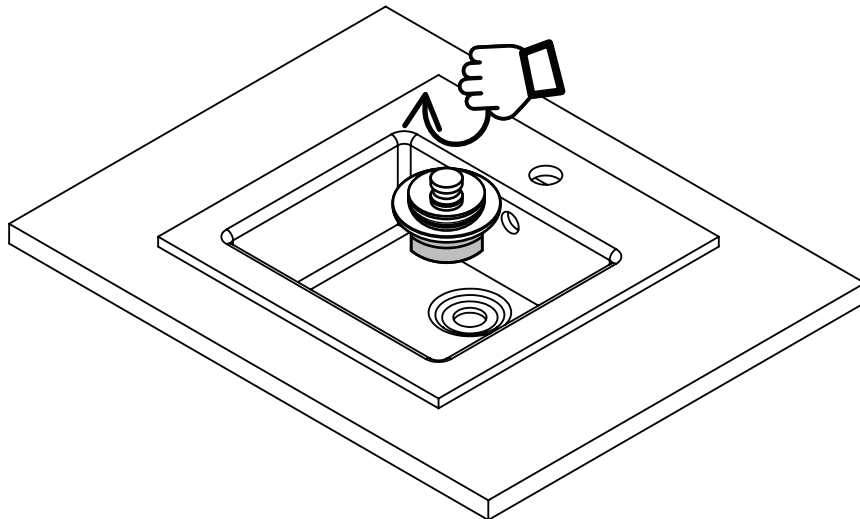
## Step 3

Dry-fit the sink and adjust the cut-out as necessary.



#### Step 4

To complete the installation, apply a bead of silicon along the unfinished rim of the basin. Place the sink into its final position and wipe away any excess silicone.



#### Step 5

Mount the drain in accordance with the instructions provided by the manufacturer. Ensure the drain is only hand-tight. An overtightened drain will eventually cause the basin to crack.