

# Product Catalogue Index



## Alcove Baths

Acrylic Baths.....10



## Clawfoot Baths

Acrylic Baths.....5  
Cast Iron Baths .....8



## Drop-In Baths

Corner Baths.....10  
Oval Baths .....12  
Rectangular Baths .....14



## Freestanding

Acrylic Baths.....13  
Cast Iron Baths .....44  
Composite Baths.....48



## Semi-Freestanding

Acrylic Baths.....7



## Shower Bases

Single Threshold Bases.....10  
Double Threshold Bases.....22  
Corner Bases.....27  
Receptors.....30

**Index continues  
on next page**

# Product Catalogue Index



**7**

## Doors

|                              |    |
|------------------------------|----|
| Bath Door & Screen .....     | 2  |
| Single Threshold Doors ..... | 4  |
| Double Threshold Doors ..... | 15 |
| Corner Doors .....           | 23 |



**8**

## Basins

|                   |    |
|-------------------|----|
| Counter-Top ..... | 2  |
| Drop-In .....     | 15 |
| Undermount .....  | 16 |
| Pure .....        | 19 |



**9**

## Sinks

|                          |    |
|--------------------------|----|
| Kitchen Drop-In .....    | 2  |
| Kitchen Undermount ..... | 7  |
| Utility / Laundry .....  | 15 |



**10**

## Faucets

|                         |   |
|-------------------------|---|
| Freestanding .....      | 2 |
| Wall & Deck Mount ..... | 6 |
| Kitchen .....           | 7 |



**11**

## Toilets

|                    |   |
|--------------------|---|
| Elongated .....    | 2 |
| Round Front .....  | 2 |
| Square Front ..... | 3 |
| Parts .....        | 4 |



**12**

## Aging In Place

|                     |    |
|---------------------|----|
| Walk-In Baths ..... | 7  |
| Shower Bases .....  | 16 |

# Part Number Guide

---

| <b>Part #'s</b> | <b>Description</b>                                  |
|-----------------|---|
| 00000 - 09999   | Various Accessories, Parts & Jetting / Spa Upgrades |
| 10000 - 19999   | Acrylic Kitchen & Laundry Sinks                     |
| 20000 - 29999   | Stainless Steel Kitchen & Laundry Sinks             |
| 30000 - 30199   | Pure Composite Bathroom Basins                      |
| 31000 - 31199   | Toilets   |
| 36000 - 36999   | Ceramic Bathroom Basins                             |
| 40000 - 41999   | Acrylic Alcove Baths                                |
| 42000 - 44259   | Acrylic Drop-In Baths                               |
| 44260 - 44499   | Acrylic Free-Standing Baths                         |
| 46500 - 46599   | Composite / Cast Iron Baths                         |
| 50000 - 59999   | Shower / Bath Doors                                 |
| 60000 - 69999   | Shower Bases  |
| 70000 - 72999   | Walk-In Baths, Barrier Free Shower Bases            |
| 80000 - 89999   | Faucets   |

# Alcove Bath Quick Reference

## Upgrades & Accessories

### Upgrades

|                     |     |  |   |
|---------------------|-----|--|---|
| Info.....           | 3   | Alcove Bath Skirt Compatibility.....                 | 6 |
| Compatibility ..... | 4   | Standard Lateral Air & HydroMassage System ..        | 7 |
| Options .....       | 5-6 | Linear Overflow and Drain for Clear Linear Series... | 8 |

| 54"          | Dimensions              | LH Drain # | RH Drain # | Page |
|--------------|-------------------------|------------|------------|------|
| Clear 5430   | 53 7/8" x 30" x 20 3/4" | 41148      | 41149      | 11   |
| Houdini 5430 | 53 7/8" x 30" x 21 3/4" | 41233      | 41234      | 15   |

| 60"                    | Dimensions              | LH Drain # | RH Drain # | Page |
|------------------------|-------------------------|------------|------------|------|
| Brockton 6034          | 59 7/8" x 34" x 21 3/4" | 41143      | 41144      | 10   |
| Clear 6030             | 59 7/8" x 30" x 20 5/8" | 41151      | 41152      | 11   |
| Clear Linear 6030      | 59 7/8" x 30" x 20 1/4" | 41151-L    | 41152-L    | 12   |
| Clear 6030 16" Skirt   | 59 7/8" x 30" x 16"     | 41151-16   | 41152-16   | 11   |
| Clear 6032             | 59 7/8" x 32" x 20 5/8" | 41161      | 41162      | 11   |
| Clear Linear 6032      | 59 7/8" x 32" x 20 1/4" | 41161-L    | 41162-L    | 12   |
| Clear 6032 16" Skirt   | 59 7/8" x 32" x 16"     | 41161-16   | 41162-16   | 11   |
| Dixton 6030            | 59 7/8" x 30" x 20 1/2" | 41241      | 41242      | 13   |
| Dixton 6032            | 59 7/8" x 32" x 20 1/2" | 41243      | 41244      | 13   |
| Elegance 6032          | 59 7/8" x 32" x 21 3/4" | 40710      | 40610      | 14   |
| Lady Denmark Pure 6032 | 59 7/8" x 32" x 21 3/4" | 41271P     | 41272P     | 17   |

## Alcove Bath Quick Reference

| 60"                       | Dimensions              | LH Drain # | RH Drain # | Page |
|---------------------------|-------------------------|------------|------------|------|
| Robson 6030               | 59 7/8" x 30" x 20"     | 41069      | 41070      | 19   |
| Robson 6032               | 59 7/8" x 32" x 20"     | 41066      | 41068      | 19   |
| Robson Pure 6030          | 59 7/8" x 30" x 20"     | 41075      | 41076      | 20   |
| Robson Pure 6032          | 59 7/8" x 32" x 20"     | 41077      | 41078      | 20   |
| Simplicity Pure 6030      | 59 7/8" x 30" x 22 1/4" | 41389      | 41390      | 21   |
| Simplicity Pure 6032      | 59 7/8" x 32" x 23 1/4" | 41399      | 41400      | 21   |
| Victory 6028 (VB150A SKT) | 59 7/8" x 27 1/2" x 24" | 41131      | 41132      | 22   |
| Woodward 6027             | 59 7/8" x 27" x 20"     | 41481      | 41482      | 23   |
| 66"                       | Dimensions              | LH Drain # | RH Drain # | Page |
| Clear 6632                | 65 7/8" x 32" x 20 1/2" | 41163      | 41164      | 11   |
| Dixton 6632               | 65 7/8" x 32" x 20 1/2" | 41245      | 41246      | 13   |
| Lady Amsterdam Pure 6634  | 65 7/8" x 34" x 21 3/4" | 41251P     | 41252P     | 16   |
| Simplicity Pure 6630      | 65 7/8" x 30" x 22"     | 41404      | 41405      | 21   |
| Simplicity Pure 6632      | 65 7/8" x 32" x 22"     | 41414      | 41415      | 21   |
| 72"                       | Dimensions              | LH Drain # | RH Drain # | Page |
| Lady Rotterdam Pure 7234  | 71 7/8" x 34" x 21 3/4" | 41321P     | 41322P     | 18   |
| Lady Rotterdam Pure 7236  | 71 7/8" x 36" x 21 3/4" | 41291P     | 41292P     | 18   |
| Simplicity Pure 7232      | 71 7/8" x 32" x 22"     | 41425      | 41426      | 21   |
| Simplicity Pure 7234      | 71 7/8" x 33 7/8" x 22" | 41435      | 41436      | 21   |

## Alcove Bath Upgrades

---

### Chromatherapy

Immerse yourself within a sea of light created by a dual mini-light Chromatherapy system. Bathers can choose between red, orange, yellow, green, blue, turquoise, and magenta, or cycle through a range of 9 blended colours. Combine Chromatherapy with a massage system to create a total spa experience.

---

### Lateral Air

16 jets mounted around the perimeter of the bathing well infuse the water with a soothing stream of massaging bubbles. A ceramic heating core preheats the air as a 600-Watt Panasonic™ blower delivers a steady stream of warm air bubbles to the bather. Use the variable speed control pad to vary the intensity of the massage to your mood.

Enjoy peace of mind in knowing that all blowers are preprogrammed with an auto-drying cycle to clean and dry the system after every use.

---

### HydroMassage

The hydromassage is the most vigorous of all available upgrades, featuring a  $\frac{3}{4}$  hp high efficiency pump. Bath water circulates through 6 or more adjustable jets to deliver targeted massaging action with variable levels of intensity. Upgrade this massage system by adding additional jets or adding an in-line heater to help maintain your bath's water temperature.

---

### ComfortWarm™

ComfortWarm™ uses radiant heat technology to directly heat the surface of the bathtub's back-rest. Use the three heat settings to adjust the heat intensity at any time with a simple press of the electronic touchpad.

---

### VIBE Sound

The Vibe System allows you to enjoy your music or radio at the touch of a button in your shower or bathtub. The vibes of the music are synchronized with a Chromatherapy system that will change colors in synch with every beat of your favorite music.

---

### Aromatherapy

Only a few drops of fragrance are needed. The system works using a pump which leads the air towards the receptacle which is filled with a combination of water and a few essential oil drops. Once the aromatherapy system is turned on, the diffuser spreads the natural scent of the essential oil into the ambient air.

---

## Alcove Bath Upgrade Compatibility

| Products                     | Lateral Air                       | HydroMassage | Chromatherapy | ComfortWarm™ | VIBE Sound | Aromatherapy |
|------------------------------|-----------------------------------|--------------|---------------|--------------|------------|--------------|
|                              | One of them can be only installed |              |               |              |            |              |
| Brockton                     | +                                 | +            | +             | +            | I or II    | +            |
| Clear                        | +                                 | +            | +             | +            | I or II    | +            |
| Dixton                       | +                                 | +            | +             | +            | I or II    | +            |
| Elegance                     | +                                 | +            | +             | +            | I or II    | +            |
| Houdini                      | +                                 | +            | +             | +            | I or II    | +            |
| Lady Amsterdam Pure          | +                                 | +            | +             | +            | I or II    | +            |
| Lady Denmark Pure            | +                                 | +            | +             | +            | I or II    | +            |
| Lady Rotterdam Pure          | +                                 | +            | +             | +            | I or II    | +            |
| Robson                       | +                                 | +            | +             | +            | I or II    | +            |
| Robson Pure                  | +                                 | +            | +             | +            | I or II    | +            |
| Simplicity Pure              | +                                 | +            | +             | +            | I or II    | +            |
| Victory 6028<br>(VB150A SKT) | +                                 | +            | +             | +            | I or II    | +            |
| Woodward                     | +                                 | +            | +             | +            | I or II    | +            |

\*VIBE Sound I = Keypad, VIBE Sound II = Remote Control

Please note for putting together multiple upgrades contact Acritec Customer Service at [customerservice@acritec.com](mailto:customerservice@acritec.com).

### Clicker Waste & Overflow Kit

Polished Chrome

Part #

01064



### Cable driven Mechanical Waste & Overflow Kit

Polished Chrome

Part #

01090



## Alcove Bath Upgrade Options

### Lateral Air

#### 16 Jet Air System

|  |       |
|--|-------|
| - White  | 00021 |
| - Brushed Nickel   | 00023 |
| - Polished Chrome  | 00024 |
| - Remote control for air blower                                  | 00133 |
| - Remote Location kit for air blower<br>(12' extra cable & hose) | 00131 |

|  |       |
|--|-------|
| <b>Variable Air Blower</b> (Replacement) | 00180 |
|--|-------|



### HydroMassage

#### 6 Jet HydroMassage System

|                   |       |
|-------------------|-------|
| - White           | 00101 |
| - Polished Chrome | 00104 |

#### 8 Jet HydroMassage System

|                   |       |
|-------------------|-------|
| - White           | 00111 |
| - Polished Chrome | 00114 |

#### Add 1x HydroMassage Jet

|                   |       |
|-------------------|-------|
| - White           | 00151 |
| - Polished Chrome | 00154 |

|                                   |       |
|-----------------------------------|-------|
| <b>Inline HydroMassage Heater</b> | 00171 |
|-----------------------------------|-------|

|                                      |       |
|--------------------------------------|-------|
| <b>110V 3/4HP Pump</b> (Replacement) | 00260 |
|--------------------------------------|-------|

|                          |       |
|--------------------------|-------|
| <b>Custom Jet System</b> | 00155 |
|--------------------------|-------|

|                                 |       |
|---------------------------------|-------|
| <b>Sound Deadening Pump Pad</b> | 00160 |
|---------------------------------|-------|



### Chromatherapy Lights

|                   | Part # |
|-------------------|--------|
| 2 x White Finish  | 01020  |
| 2 x Chrome Finish | 01021  |



### ComfortWarm™

|  |          |
|--|----------|
| <b>1x ComfortWarm™ Heated Backrest</b> (70W) | 01040-01 |
|--|----------|

|   |          |
|---|----------|
| <b>2x ComfortWarm™ Heated Backrests</b> (2x35W) | 01040-02 |
|---|----------|



## Alcove Bath Upgrade Options

### VIBE Sound System

#### VIBE I + Chromotherapy Lights

2x Speakers + 2x Chromotherapy Lights (**White Finish**) + **Advanced Keypad** 01022

2x Speakers + 2x Chromotherapy Lights (**Chrome Finish**) + **Advanced Keypad** 01023

#### VIBE II + Chromotherapy Lights (For Most Freestanding Tubs)

2x Speakers + 2x Chromotherapy Lights (**White Finish**) + **Remote Control** 01024

2x Speakers + 2x Chromotherapy Lights (**Chrome Finish**) + **Remote Control** 01025

### Aromatherapy System

Diffuser System + Keypad 01030



## Alcove Bath Skirt Compatibility

| Products                  | Access Panel for Jetted Tub | Skirt Cut Off | *Wood Skirt standard 1/2" Backset (Including Skirt Removal) |
|---------------------------|-----------------------------|---------------|---|
| Part Number               | 41990                       | 02000         | 02010   |
| Brockton                  | n/a                         | +             | +   |
| Clear                     | n/a                         | +             | +   |
| Clear Linear              | n/a                         | +             | +   |
| Dixton                    | n/a                         | +             | +   |
| Elegance                  | +                           | +             | +   |
| Houdini                   | n/a                         | +             | +   |
| Lady Amsterdam Pure       | n/a                         | +             | +   |
| Lady Denmark Pure         | n/a                         | +             | +   |
| Lady Rotterdam Pure       | n/a                         | +             | +   |
| Robson                    | +                           | +             | +   |
| Robson Pure               | n/a                         | +             | +   |
| Simplicity Pure           | n/a                         | +             | +   |
| Victory 6028 (VB150A SKT) | n/a                         | +             | +   |
| Woodward                  | n/a                         | +             | +   |

\* 3/4" and 1" backsets are also available. Please specify when ordering.

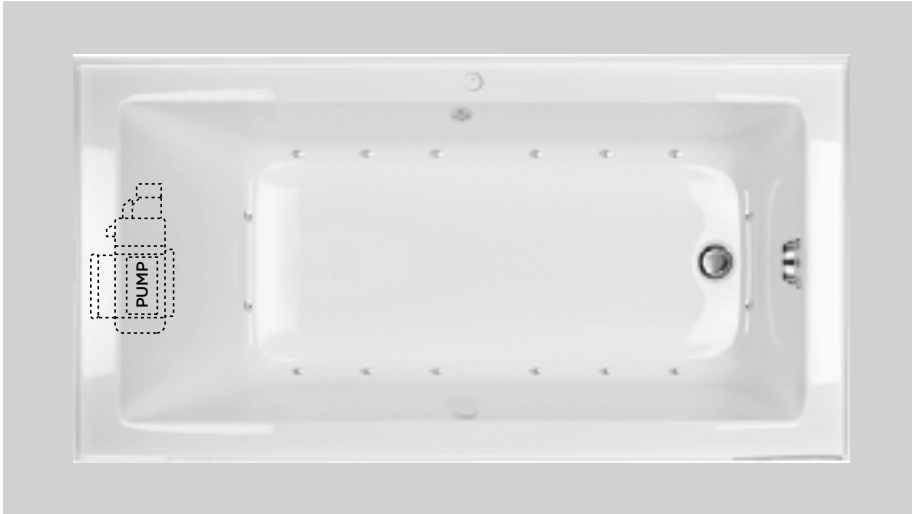
\* **n/a = not available**

\* **+** = available

## Standard Pump Location of the Jetting System for Alcove Bath

Any deviation of the standard pump location refer to **00156 Custom Pump / Blower Location**

---



### Lateral Air System

---

16 Jet Air System



### HydroMassage System

---

6 Jet Hydromassage



### HydroMassage System

---

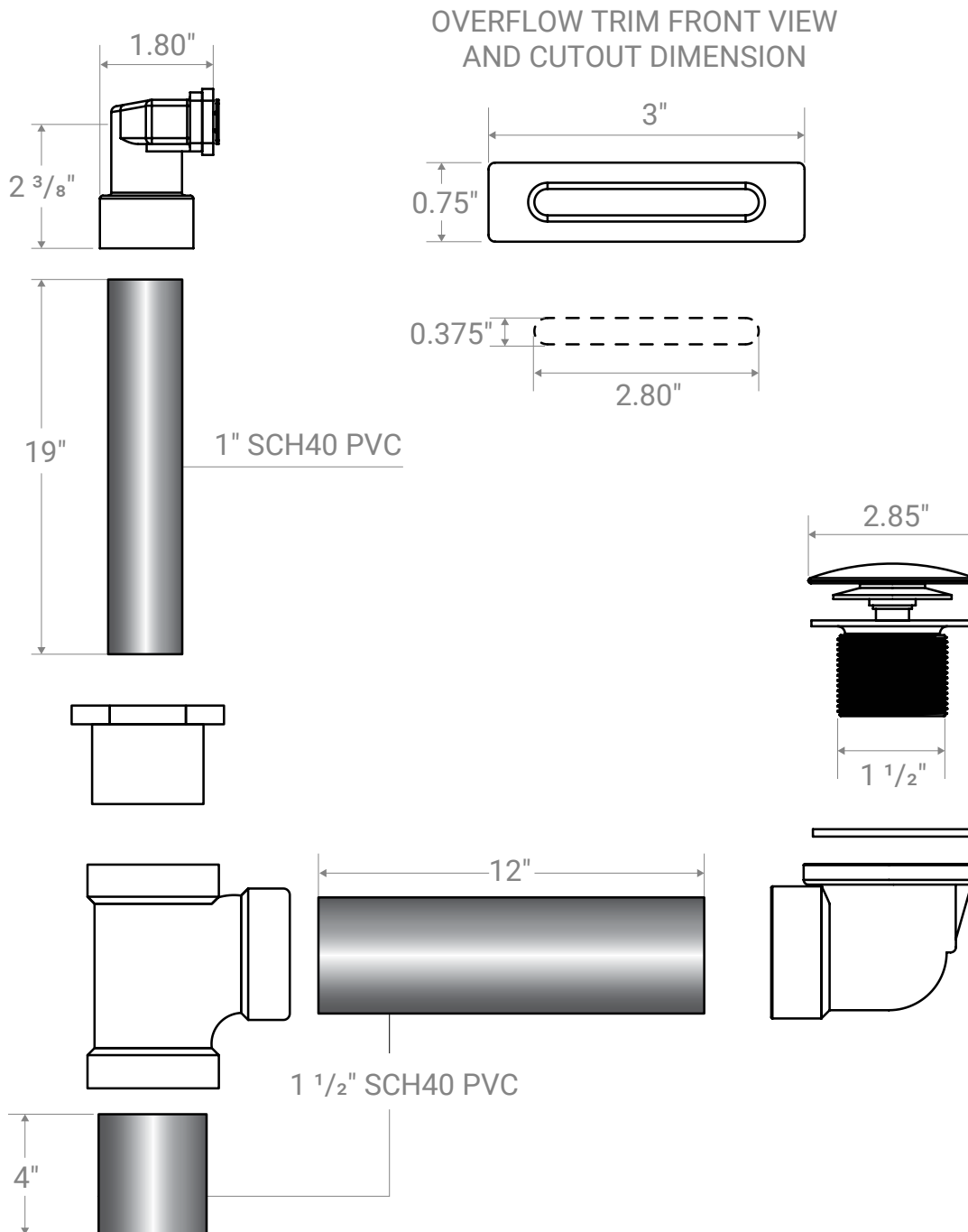
8 Jet Hydromassage

## Linear Overflow and Drain for Clear Linear Series (Refer to Page 12)

|                |       |
|----------------|-------|
| Chrome         | 01065 |
| Brushed Nickel | 01066 |
| Matte Black    | 01067 |

### Design Features

- To be used on all Clear Linear series bath tubs.
- Kit includes linear overflow plate cover & clicker drain





## 08010

Pillow | Contoured | Compatible with all Acritec baths

---

**Dimensions**

11  $\frac{7}{8}$ " x 4  $\frac{3}{8}$ "

---

**Colour**

Black

---



## 08012

Pillow | Premium | Compatible with all Acritec baths

---

**Dimensions**

11  $\frac{1}{2}$ " x 6  $\frac{1}{2}$ "

---

**Colour**

Black

---



## 08014

Pillow | Contoured | For baths with rounded backrests

---

**Dimensions**

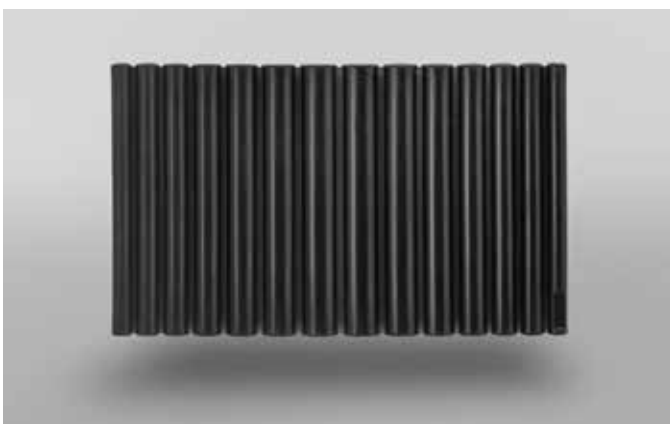
11  $\frac{1}{2}$ " x 3  $\frac{1}{8}$ "

---

**Colour**

Black

---



## 08016

Pillow | Premium | Compatible with all Acritec baths

---

**Dimensions**

15  $\frac{3}{4}$ " x 10  $\frac{1}{4}$ "

---

**Colour**

Black

---

1 | Alcove Baths



## Brockton 6034

|                      |                            |                            |
|----------------------|----------------------------|----------------------------|
| <b>Brockton 6034</b> | <b>LH Drain #</b><br>41143 | <b>RH Drain #</b><br>41144 |
|----------------------|----------------------------|----------------------------|

| Dimension     | Skirt Height | Immersion Depth | Approx. Weight | Approx. Water Capacity | Approx. Backrest Angle | Above Floor Rough-In |
|---------------|--------------|-----------------|----------------|------------------------|------------------------|----------------------|
| 59 7/8" x 34" | 21 3/4"      | 13 1/2"         | ~ 76 lbs       | ~ 41 US Gal.           | 120°                   | Yes                  |

### Skirt Options (Refer to Page 6)

Skirt Cut Off (02000)      Wood Skirt 1/2", 3/4" or 1" Backset (02010)

### Upgrades (Refer to Page 3 & 7)

Chromatherapy      Lateral Air      HydroMassage      ComfortWarm™      VIBE Sound      Aromatherapy



**Clear**

|                             | LH Drain # | RH Drain # |
|-----------------------------|------------|------------|
| <b>Clear 5430</b>           | 41148      | 41149      |
| <b>Clear 6030</b>           | 41151      | 41152      |
| <b>Clear 6032</b>           | 41161      | 41162      |
| <b>Clear 6030 Skirt 16"</b> | 41151-16   | 41152-16   |
| <b>Clear 6032 Skirt 16"</b> | 41161-16   | 41162-16   |
| <b>Clear 6632</b>           | 41163      | 41164      |

| Dimension     | Skirt Height | Immersion Depth | Approx. Weight | Approx. Water Capacity | Approx. Backrest Angle | Above Floor Rough-In |
|---------------|--------------|-----------------|----------------|------------------------|------------------------|----------------------|
| 53 7/8" x 30" | 20 3/4"      | 12 1/2"         | ~ 60 lbs       | ~ 40 US Gal.           | 120°                   | Yes                  |
| 59 7/8" x 30" | 20 5/8"      | 12 1/2"         | ~ 70 lbs       | ~ 45 US Gal.           | 120°                   | Yes                  |
| 59 7/8" x 32" | 20 5/8"      | 12 1/2"         | ~ 72 lbs       | ~ 54 US Gal.           | 120°                   | Yes                  |
| 59 7/8" x 30" | 16"          | 11 1/2"         | ~ 65 lbs       | ~ 38 US Gal.           | 120°                   | No                   |
| 59 7/8" x 32" | 16"          | 11 1/2"         | ~ 67 lbs       | ~ 40 US Gal.           | 120°                   | No                   |
| 65 7/8" x 32" | 20 1/2"      | 12 1/2"         | ~ 85 lbs       | ~ 60 US Gal.           | 116°                   | Yes                  |

**Skirt Options (Refer to Page 6)**

Skirt Cut Off (02000)      Wood Skirt 1/2", 3/4" or 1" Backset (02010)

**Upgrades (Refer to Page 3 & 7)**

Chromatherapy      Lateral Air      HydroMassage      ComfortWarm™      VIBE Sound      Aromatherapy

## 1 | Alcove Baths



### Clear Linear

|                          | LH Drain # | RH Drain # |
|--------------------------|------------|------------|
| <b>Clear Linear 6030</b> | 41151-L    | 41152-L    |
| <b>Clear Linear 6032</b> | 41161-L    | 41162-L    |

| Dimension     | Skirt Height | Immersion Depth | Approx. Weight | Approx. Water Capacity | Approx. Backrest Angle | Above Floor Rough-In |
|---------------|--------------|-----------------|----------------|------------------------|------------------------|----------------------|
| 59 7/8" x 30" | 20 1/4"      | 13 1/2"         | ~ 70 lbs       | ~ 45 US Gal.           | 120°                   | Yes                  |
| 59 7/8" x 32" | 20 1/4"      | 13 1/2"         | ~ 72 lbs       | ~ 54 US Gal.           | 120°                   | Yes                  |

#### Linear Overflow and Drain Options: Sold Separately (Refer to Page 8)

Chrome #01065                      Brushed Nickel #01066                      Matte Black #01067

#### Skirt Options (Refer to Page 6)

Skirt Cut Off (02000)                      Wood Skirt 1/2", 3/4" or 1" Backset (02010)

#### Upgrades (Refer to Page 3 & 7)

Chromatherapy      Lateral Air      HydroMassage      ComfortWarm™      VIBE Sound      Aromatherapy



**Dixton**

|                    | LH Drain # | RH Drain # |
|--------------------|------------|------------|
| <b>Dixton 6030</b> | 41241      | 41242      |
| <b>Dixton 6032</b> | 41243      | 41244      |
| <b>Dixton 6632</b> | 41245      | 41246      |

| Dimension     | Skirt Height | Immersion Depth | Approx. Weight | Approx. Water Capacity | Approx. Backrest Angle | Above Floor Rough-In |
|---------------|--------------|-----------------|----------------|------------------------|------------------------|----------------------|
| 59 7/8" x 30" | 20 1/2"      | 13"             | ~ 70 lbs       | ~ 45 US Gal.           | 120°                   | Yes                  |
| 59 7/8" x 32" | 20 1/2"      | 13"             | ~ 72 lbs       | ~ 48 US Gal.           | 120°                   | Yes                  |
| 65 7/8" x 32" | 20 1/2"      | 13"             | ~ 82 lbs       | ~ 53 US Gal.           | 120°                   | Yes                  |

**Skirt Options (Refer to Page 6)**

Skirt Cut Off (02000)      Wood Skirt 1/2", 3/4" or 1" Backset (02010)

**Upgrades (Refer to Page 3 & 7)**

Chromatherapy      Lateral Air      HydroMassage      ComfortWarm™      VIBE Sound      Aromatherapy



1 | Alcove Baths



## Elegance 6032

|                      |                            |                            |
|----------------------|----------------------------|----------------------------|
| <b>Elegance 6032</b> | <b>LH Drain #</b><br>40710 | <b>RH Drain #</b><br>40610 |
|----------------------|----------------------------|----------------------------|

| Dimension     | Skirt Height | Immersion Depth | Approx. Weight | Approx. Water Capacity | Approx. Backrest Angle | Above Floor Rough-In |
|---------------|--------------|-----------------|----------------|------------------------|------------------------|----------------------|
| 59 7/8" x 32" | 21 3/4"      | 15 1/2"         | ~ 74 lbs       | ~ 44 US Gal.           | 123°                   | Yes                  |

### Skirt Options (Refer to Page 6)

|                      |                       |   |
|----------------------|-----------------------|---|
| Access Panel (41990) | Skirt Cut Off (02000) | Wood Skirt 1/2", 3/4" or 1" Backset (02010) |
|----------------------|-----------------------|---|

### Upgrades (Refer to Page 3 & 7)

|               |             |              |              |            |              |
|---------------|-------------|--------------|--------------|------------|--------------|
| Chromatherapy | Lateral Air | HydroMassage | ComfortWarm™ | VIBE Sound | Aromatherapy |
|---------------|-------------|--------------|--------------|------------|--------------|



## Houdini 5430

|                     |                            |                            |
|---------------------|----------------------------|----------------------------|
| <b>Houdini 5430</b> | <b>LH Drain #</b><br>41233 | <b>RH Drain #</b><br>41234 |
|---------------------|----------------------------|----------------------------|

| Dimension     | Skirt Height | Immersion Depth | Approx. Weight | Approx. Water Capacity | Approx. Backrest Angle | Above Floor Rough-In |
|---------------|--------------|-----------------|----------------|------------------------|------------------------|----------------------|
| 53 7/8" x 30" | 21 3/4"      | 14 1/4"         | ~ 65 lbs       | ~ 36 US Gal.           | 124°                   | Yes                  |

### Skirt Options (Refer to Page 6)

Skirt Cut Off (02000)      Wood Skirt 1/2", 3/4" or 1" Backset (02010)

### Upgrades (Refer to Page 3 & 7)

Chromatherapy      Lateral Air      HydroMassage      ComfortWarm™      VIBE Sound      Aromatherapy



## Lady Amsterdam Pure 6634

|                                 |                   |                   |
|---------------------------------|-------------------|-------------------|
|                                 | <b>LH Drain #</b> | <b>RH Drain #</b> |
| <b>Lady Amsterdam Pure 6634</b> | 41251P            | 41252P            |

| Dimension     | Skirt Height | Immersion Depth | Approx. Weight | Approx. Water Cap. | Approx. Backrest Angle | Above Floor Rough-In |
|---------------|--------------|-----------------|----------------|--------------------|------------------------|----------------------|
| 65 7/8" x 34" | 21 3/4"      | 15"             | ~ 82 lbs       | ~ 51 US Gal.       | 160°                   | No                   |

### Skirt Options (Refer to Page 6)

Skirt Cut Off (02000)      Wood Skirt 1/2", 3/4" or 1" Backset (02010)

### Upgrades (Refer to Page 3 & 7)

Chromatherapy      Lateral Air      HydroMassage      ComfortWarm™      VIBE Sound      Aromatherapy



## Lady Denmark Pure 6032

|                               |                             |                             |
|-------------------------------|-----------------------------|-----------------------------|
| <b>Lady Denmark Pure 6032</b> | <b>LH Drain #</b><br>41271P | <b>RH Drain #</b><br>41272P |
|-------------------------------|-----------------------------|-----------------------------|

| Dimension     | Skirt Height | Immersion Depth | Approx. Weight | Approx. Water Cap. | Approx. Backrest Angle | Above Floor Rough-In |
|---------------|--------------|-----------------|----------------|--------------------|------------------------|----------------------|
| 59 7/8" x 32" | 21 3/4"      | 15 1/2"         | ~ 72 lbs       | ~ 45 US Gal.       | 132°                   | Yes                  |

### Skirt Options (Refer to Page 6)

Skirt Cut Off (02000)      Wood Skirt 1/2", 3/4" or 1" Backset (02010)

### Upgrades (Refer to Page 3 & 7)

Chromatherapy      Lateral Air      HydroMassage      ComfortWarm™      VIBE Sound      Aromatherapy

1 | Alcove Baths



## Lady Rotterdam Pure

|                          | LH Drain # | RH Drain # |
|--------------------------|------------|------------|
| Lady Rotterdam Pure 7234 | 41321P     | 41322P     |
| Lady Rotterdam Pure 7236 | 41291P     | 41292P     |

| Dimension     | Skirt Height | Immersion Depth | Approx. Weight | Approx. Water Capacity | Approx. Backrest Angle | Above Floor Rough-In |
|---------------|--------------|-----------------|----------------|------------------------|------------------------|----------------------|
| 71 7/8" x 34" | 21 3/4"      | 15 1/2"         | ~ 72 lbs       | ~ 57 US Gal.           | 160°                   | No                   |
| 71 7/8" x 36" | 21 3/4"      | 15 1/2"         | ~ 72 lbs       | ~ 57 US Gal.           | 160°                   | No                   |

### Skirt Options (Refer to Page 6)

Skirt Cut Off (02000)      Wood Skirt 1/2", 3/4" or 1" Backset (02010)

### Upgrades (Refer to Page 3 & 7)

Chromatherapy      Lateral Air      HydroMassage      ComfortWarm™      VIBE Sound      Aromatherapy



## Robson

|                    | LH Drain # | RH Drain # |
|--------------------|------------|------------|
| <b>Robson 6030</b> | 41069      | 41070      |
| <b>Robson 6032</b> | 41066      | 41068      |

| Dimension     | Skirt Height | Immersion Depth | Approx. Weight | Approx. Water Capacity | Approx. Backrest Angle | Above Floor Rough-In |
|---------------|--------------|-----------------|----------------|------------------------|------------------------|----------------------|
| 59 7/8" x 30" | 20"          | 13 1/2"         | ~ 62 lbs       | ~ 37 US Gal.           | 118°                   | Yes                  |
| 59 7/8" x 32" | 20"          | 13 1/2"         | ~ 65 lbs       | ~ 37 US Gal.           | 118°                   | Yes                  |

### Skirt Options (Refer to Page 6)

|                      |                       |   |
|----------------------|-----------------------|---|
| Access Panel (41990) | Skirt Cut Off (02000) | Wood Skirt 1/2", 3/4" or 1" Backset (02010) |
|----------------------|-----------------------|---|

### Upgrades (Refer to Page 3 & 7)

|               |             |              |              |            |              |
|---------------|-------------|--------------|--------------|------------|--------------|
| Chromatherapy | Lateral Air | HydroMassage | ComfortWarm™ | VIBE Sound | Aromatherapy |
|---------------|-------------|--------------|--------------|------------|--------------|

## 1 | Alcove Baths



## Robson Pure

|                  | LH Drain # | RH Drain # |
|------------------|------------|------------|
| Robson Pure 6030 | 41075      | 41076      |
| Robson Pure 6032 | 41077      | 41078      |

| Dimension     | Skirt Height | Immersion Depth | Approx. Weight | Approx. Water Capacity | Approx. Backrest Angle | Above Floor Rough-In |
|---------------|--------------|-----------------|----------------|------------------------|------------------------|----------------------|
| 59 7/8" x 30" | 20"          | 13 1/2"         | ~ 62 lbs       | ~ 37 US Gal.           | 118°                   | Yes                  |
| 59 7/8" x 32" | 20"          | 13 1/2"         | ~ 65 lbs       | ~ 37 US Gal.           | 118°                   | Yes                  |

### Skirt Options (Refer to Page 6)

Skirt Cut Off (02000)      Wood Skirt 1/2", 3/4" or 1" Backset (02010)

### Upgrades (Refer to Page 3 & 7)

Chromatherapy      Lateral Air      HydroMassage      ComfortWarm™      VIBE Sound      Aromatherapy



## Simplicity Pure

|                             | LH Drain # | RH Drain # |
|-----------------------------|------------|------------|
| <b>Simplicity Pure 6030</b> | 41389      | 41390      |
| <b>Simplicity Pure 6032</b> | 41399      | 41400      |
| <b>Simplicity Pure 6630</b> | 41404      | 41405      |
| <b>Simplicity Pure 6632</b> | 41414      | 41415      |
| <b>Simplicity Pure 7232</b> | 41425      | 41426      |
| <b>Simplicity Pure 7234</b> | 41435      | 41436      |

| Dimension         | Skirt Height | Immersion Depth | Approx. Weight | Approx. Water Capacity | Approx. Backrest Angle | Above Floor Rough-In |
|-------------------|--------------|-----------------|----------------|------------------------|------------------------|----------------------|
| 59 7/8" x 30"     | 22 1/4"      | 14 3/4"         | ~ 70 lbs       | ~ 53 US Gal.           | 118°±2°                | Yes                  |
| 59 7/8" x 31 7/8" | 23 1/4"      | 15 3/4"         | ~ 73 lbs       | ~ 55 US Gal.           | 110°±2°                | Yes                  |
| 65 7/8" x 30"     | 22"          | 16"             | ~ 80 lbs       | ~ 63 US Gal.           | 117°±2°                | No                   |
| 65 7/8" x 32"     | 22"          | 16"             | ~ 80 lbs       | ~ 63 US Gal.           | 118°±2°                | No                   |
| 71 7/8" x 32"     | 22"          | 14 1/2"         | ~ 87 lbs       | ~ 73 US Gal.           | 121°±2°                | Yes                  |
| 71 7/8" x 33 7/8" | 22"          | 14 1/2"         | ~ 90 lbs       | ~ 73 US Gal.           | 121°±2°                | Yes                  |

### Skirt Options (Refer to Page 6)

Skirt Cut Off (02000)      Wood Skirt 1/2", 3/4" or 1" Backset (02010)

### Upgrades (Refer to Page 3 & 7)

Chromatherapy      Lateral Air      HydroMassage      ComfortWarm™      VIBE Sound      Aromatherapy



1 | Alcove Baths



**Victory 6028 (VB150A SKT)**

|                                  |                   |                   |
|----------------------------------|-------------------|-------------------|
|                                  | <b>LH Drain #</b> | <b>RH Drain #</b> |
| <b>Victory 6028 (VB150A SKT)</b> | 41131             | 41132             |

| Dimension        | Skirt Height | Immersion Depth | Approx. Weight | Approx. Water Capacity | Approx. Backrest Angle | Above Floor Rough-In |
|------------------|--------------|-----------------|----------------|------------------------|------------------------|----------------------|
| 59 7/8 x 27 1/2" | 24"          | 13"             | ~ 70 lbs       | ~ 40 US Gal.           | 135°                   | Yes                  |

**Skirt Options (Refer to Page 6)**

|                       |   |
|-----------------------|---|
| Skirt Cut Off (02000) | Wood Skirt 1/2", 3/4" or 1" Backset (02010) |
|-----------------------|---|

**Upgrades (Refer to Page 3 & 7)**

|               |             |              |              |            |              |
|---------------|-------------|--------------|--------------|------------|--------------|
| Chromatherapy | Lateral Air | HydroMassage | ComfortWarm™ | VIBE Sound | Aromatherapy |
|---------------|-------------|--------------|--------------|------------|--------------|



## Woodward 6027

|                      |                   |                   |
|----------------------|-------------------|-------------------|
|                      | <b>LH Drain #</b> | <b>RH Drain #</b> |
| <b>Woodward 6027</b> | 41481             | 41482             |

| Dimension         | Skirt Height | Immersion Depth | Approx. Weight | Approx. Water Capacity | Approx. Backrest Angle | Above Floor Rough-In |
|-------------------|--------------|-----------------|----------------|------------------------|------------------------|----------------------|
| 59 7/8" x 26 3/4" | 20"          | 13"             | ~ 60 lbs       | ~ 35 US Gal.           | 120°                   | Yes                  |

### Skirt Options (Refer to Page 6)

|                       |   |
|-----------------------|---|
| Skirt Cut Off (02000) | Wood Skirt 1/2", 3/4" or 1" Backset (02010) |
|-----------------------|---|

### Upgrades (Refer to Page 3 & 7)

|               |             |              |              |            |              |
|---------------|-------------|--------------|--------------|------------|--------------|
| Chromatherapy | Lateral Air | HydroMassage | ComfortWarm™ | VIBE Sound | Aromatherapy |
|---------------|-------------|--------------|--------------|------------|--------------|



# Clawfoot Quick Reference

---

## Upgrades & Accessories

---

### Clawfoot Finish Upgrades

Info & Compatibility ..... 2

### Wastes & Overflow

Info & Compatibility ..... 3

## Acrylic Clawfoot

---

| Products     | Dimensions          | Item No. | Page |
|--------------|---------------------|----------|------|
| Antique 59   | 59" x 30 ¼" x 23 ¼" | 43101    | 5    |
| Rhapsody     | 68" x 28 ¼" x 31"   | 43171    | 6    |
| Victorian 61 | 60 ½" x 29" x 30 ⅜" | 43191    | 7    |
| Victorian 67 | 66 ½" x 29" x 31 ¼" | 43201    | 7    |

## Cast Iron Clawfoot

---

| Products  | Dimensions            | Item No. | Page |
|-----------|-----------------------|----------|------|
| Cetus 60  | 60" x 30" x 22 ⅜"     | 48010    | 8    |
| Cetus 67  | 67" x 30" x 22 ⅜"     | 48012    | 8    |
| Kelpie    | 72" x 30 ¾" x 28 ½"   | 48035    | 9    |
| Triton 61 | 61" x 30 ¾" x 29 ⅜"   | 48020    | 10   |
| Triton 67 | 66 ⅞" x 30 ¾" x 29 ⅜" | 48022    | 10   |

## Clawfoot Bath Leg Finish Upgrades

**Brushed Nickel** Part #: 43990

**\*\*Antique** Part #: 43996

**Matte Black** Part #: 43993

**White** Part #: 43992

**Oil Rubbed Bronze**  
Part #: 43994



## Clawfoot Bath Leg Finish Upgrade Compatibility

*All Clawfoot baths come standard with chrome feet*

|                  | Brushed Nickel | Matte Black | White | Oil Rubbed Bronze |
|------------------|----------------|-------------|-------|-------------------|
| <b>Acrylic</b>   |                |             |       |                   |
| Antique          | + (**)         | n/a         | n/a   | n/a               |
| Rhapsody         | +              | +           | +     | +                 |
| Victorian        | +              | +           | +     | +                 |
| <b>Cast Iron</b> |                |             |       |                   |
| Cetus            | n/a            | n/a         | n/a   | n/a               |
| Kelpie           | n/a            | n/a         | n/a   | n/a               |
| Triton           | n/a            | n/a         | n/a   | n/a               |

\* n/a = not available

\* + = available

## Clawfoot Bath Waste & Overflow Kits

|  |   |   |   |   |  |
|--|---|---|---|---|--|
| <b>Chrome Clicker</b><br>(Acrylic Clawfoot)<br>Part #: 01076 | <b>Chrome Plug &amp; Chain</b><br>(Acrylic Clawfoot)<br>Part #: 01074 | <b>Chrome Clicker and Plug &amp; Chain</b><br>(Acrylic and Cast Iron Clawfoot)<br>Part #: 01060 | <b>Brushed Nickel Plug &amp; Chain</b><br>(Acrylic Clawfoot)<br>Part #: 01073 | <b>O.R.B. Plug &amp; Chain</b><br>(Acrylic Clawfoot)<br>Part #: 01077 | <b>Matte Black Plug &amp; Chain</b><br>(Acrylic Clawfoot)<br>Part #: 01072 |
|--|---|---|---|---|--|

## Waste & Overflow Kit Check List

Clawfoot baths do not come with waste & overflow kits. Must be ordered separately.

| Acrylic          | ChromeClicker<br>Part #: 01076 | Chrome Plug & Chain<br>Part #: 01074 | Chrome Clicker and Plug & Chain<br>Part #: 01060 | Brushed Nickel Plug & Chain<br>Part #: 01073 | O.R.B Plug & Chain<br>Part #: 01077 | Matte Black Plug & Chain<br>Part #: 01072 |
|------------------|--------------------------------|--------------------------------------|--|--|-------------------------------------|---|
| Antique          | +                              | +                                    | +  | +  | +                                   | +   |
| Rhapsody         | +                              | +                                    | +  | +  | +                                   | +   |
| Victorian        | +                              | +                                    | +  | +  | +                                   | +   |
| <b>Cast Iron</b> |                                |                                      |  |  |                                     |   |
| Cetus            | +                              | n/a                                  | +  | n/a  | n/a                                 | n/a                                       |
| Kelpie           | +                              | n/a                                  | +  | n/a  | n/a                                 | n/a                                       |
| Triton           | +                              | n/a                                  | +  | n/a  | n/a                                 | n/a                                       |

\* n/a = not available

\* + = available

2 | Clawfoot Baths  
Upgrades & Accessories



## 08010

Pillow | Contoured | Compatible with all Acritec baths

---

**Dimensions**

11  $\frac{7}{8}$ " x 4  $\frac{3}{8}$ "

---

**Colour**

Black

---



## 08012

Pillow | Premium | Compatible with all Acritec baths

---

**Dimensions**

11  $\frac{1}{2}$ " x 6  $\frac{1}{2}$ "

---

**Colour**

Black

---



## 08014

Pillow | Contoured | For baths with rounded backrests

---

**Dimensions**

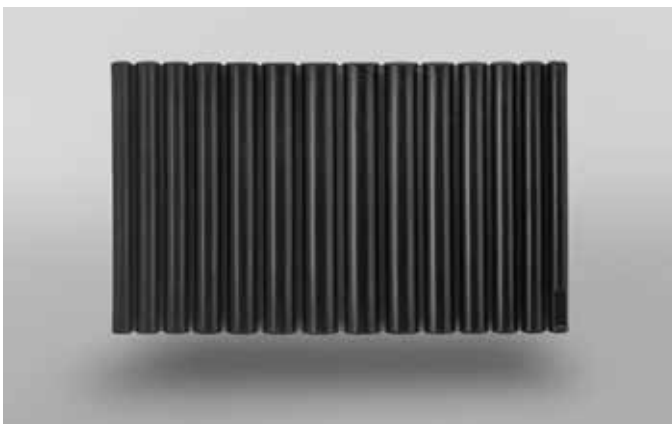
11  $\frac{1}{2}$ " x 3  $\frac{1}{8}$ "

---

**Colour**

Black

---



## 08016

Pillow | Premium | Compatible with all Acritec baths

---

**Dimensions**

15  $\frac{3}{4}$ " x 10  $\frac{1}{4}$ "

---

**Colour**

Black

---



## Antique 59

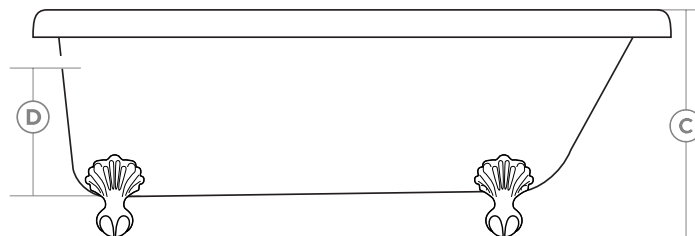
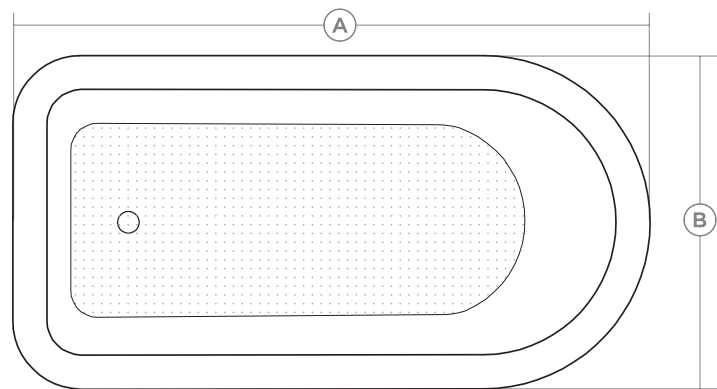
Part # 43101

### Material

Acrylic

### Features

- High gloss finish on interior & exterior surfaces
- Factory installed legs
- End drain
- Lightly textured floor
- Deck mount faucet compatible
- Gently sloping backrest
- Factory installed chrome legs



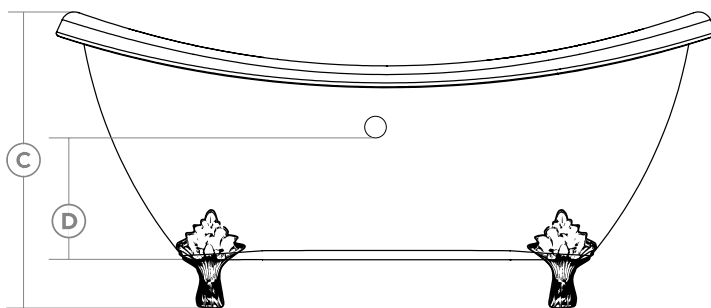
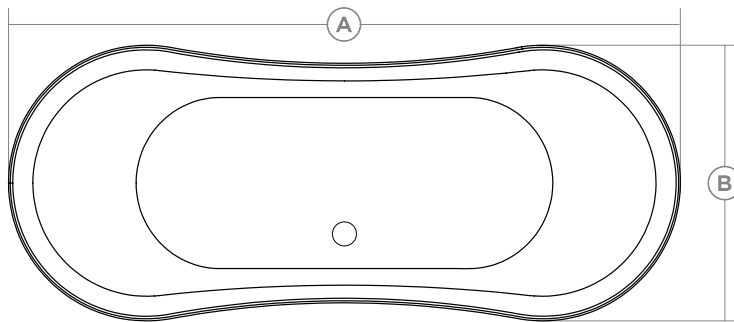
### Upgrades (See pages 2-3 for detail)

- Colored feet : Brushed Nickel
- W&O Options

| A Length | B Width | C Height | D Immersion Depth |
|----------|---------|----------|-------------------|
| 59"      | 30 ¼"   | 23 ¼"    | 12 ¼"             |



**2 | Clawfoot Baths**  
**Acrylic**



| A Length | B Width | C Height | D Immersion Depth |
|----------|---------|----------|-------------------|
| 68"      | 28 ¼"   | 31"      | 11 ½"             |

## Rhapsody

**Part #** 43171

**Material**

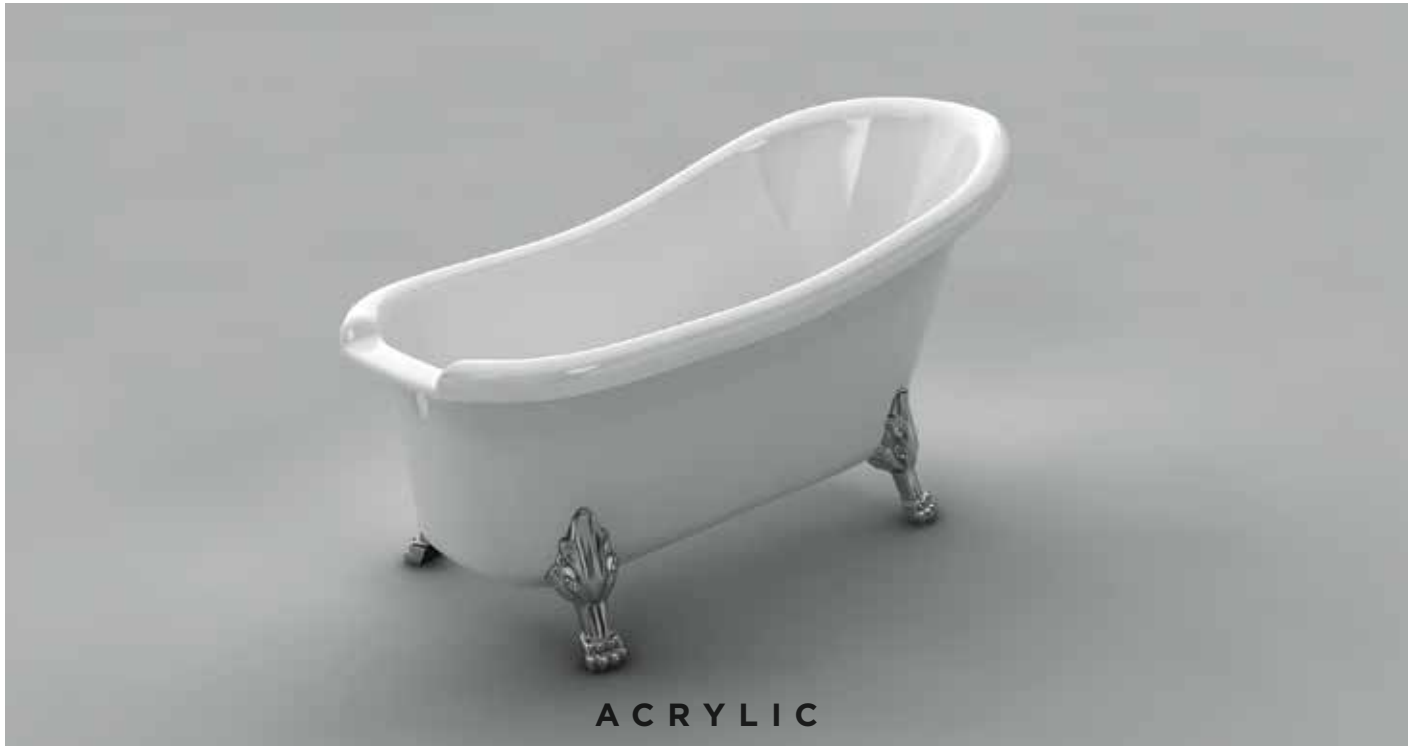
Acrylic

**Features**

- High gloss finish on interior & exterior surfaces
- Factory installed chrome legs
- Offset centre drain
- Smooth floor
- Gently sloping backrest

**Upgrades** (See pages 2-3 for detail)

- Colored feet : Matte Black, ORB, Brushed Nickel etc
- W&O Options



## Victorian

### Part #

61" - 43191

67" - 43201

### Material

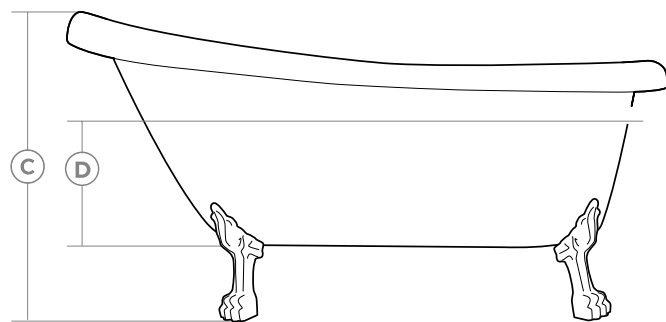
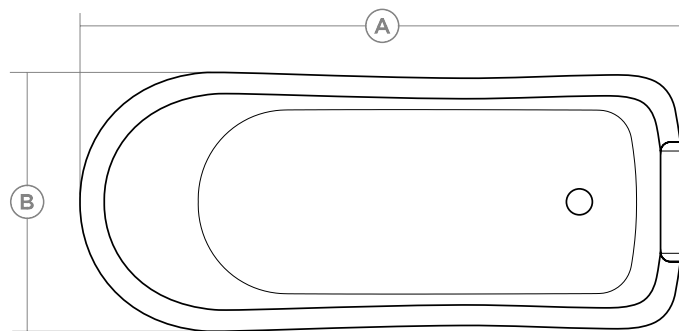
Acrylic

### Features

- High gloss finish on interior & exterior surfaces
- Factory installed chrome legs
- End drain
- Smooth floor
- Deck mount faucet compatible
- Gently sloping backrest

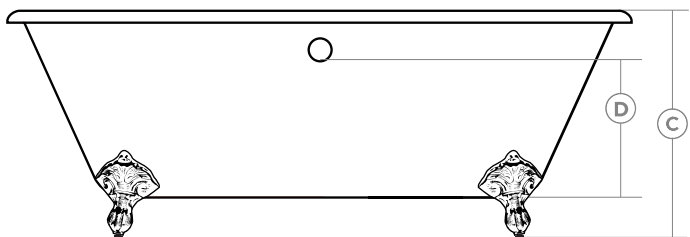
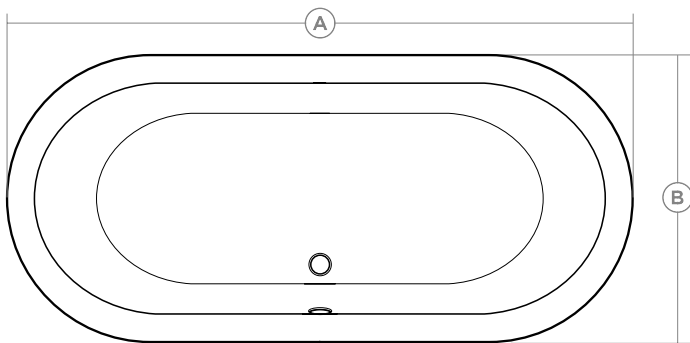
### Upgrades (See pages 2-3 for detail)

- Colored feet : Matte Black, ORB, Brushed Nickel etc
- W&O Options



|       | <b>A</b> Length | <b>B</b> Width | <b>C</b> Height | <b>D</b> Immersion Depth |
|-------|-----------------|----------------|-----------------|--------------------------|
| 60 ½" | 60 ½"           | 28 ¾"          | 30 ⅜"           | 12 ⅞"                    |
| 66 ½" | 66 ½"           | 28 ¾"          | 31 ¼"           | 12 ⅞"                    |

**2 | Clawfoot Baths**  
**Cast Iron**



**Cetus**

**Part #**

**60"** - 48010

**67"** - 48012

**Material**

Cast Iron

**Features**

- Double ended bathing well
- Rolled rim
- Gently sloping backrest
- Smooth floor
- Offset centre drain
- Includes chrome legs, shipped separately

**Upgrades** (See page 3 for detail)

- W&O Options

| <b>A</b> Length | <b>B</b> Width | <b>C</b> Height | <b>D</b> Immersion Depth |
|-----------------|----------------|-----------------|--------------------------|
| 60"             | 30"            | 22 3/8"         | 14"                      |
| 67"             | 30"            | 22 3/8"         | 14"                      |



**Kelpie**

**Part #** 48035

**Material**

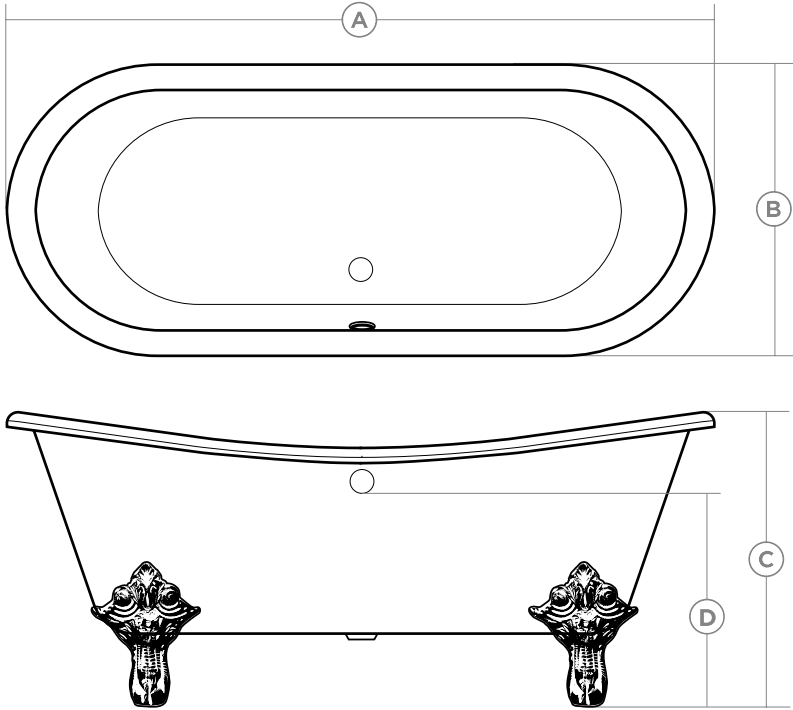
Cast Iron

**Features**

- Double ended bathing well
- Rolled rim
- Gently sloping backrest
- Smooth floor
- Centre drain
- Includes chrome legs, shipped separately

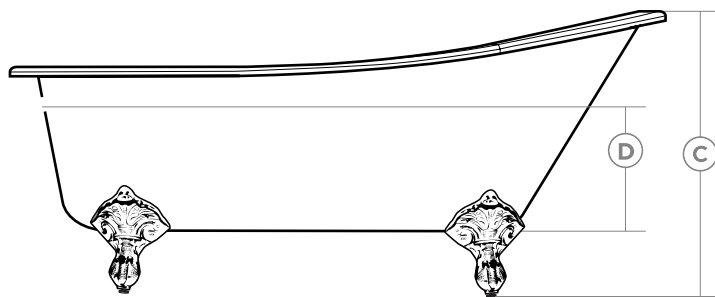
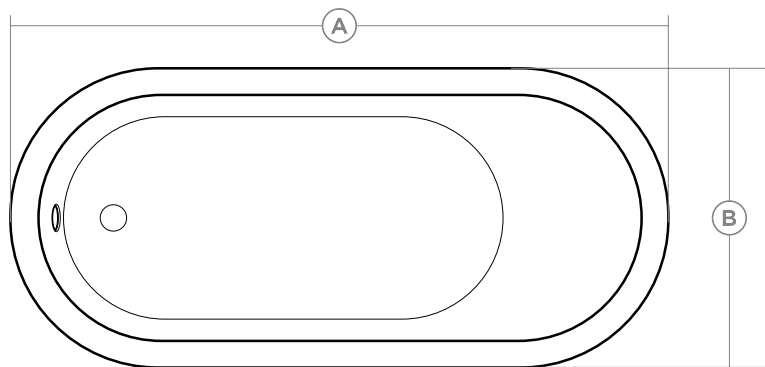
**Upgrades** (See page 3 for detail)

- W&O Options



| A Length | B Width | C Height | D Immersion Depth |
|----------|---------|----------|-------------------|
| 72"      | 30 ¾"   | 28 ½"    | 15"               |

**2 | Clawfoot Baths**  
**Cast Iron**



| A Length | B Width | C Height | D Immersion Depth |
|----------|---------|----------|-------------------|
| 61"      | 30 3/4" | 29 3/8"  | 14"               |
| 66 7/8"  | 30 3/4" | 29 3/8"  | 14"               |

**Triton**

**Part #**

61" - 48020

67" - 48022

**Material**

Cast Iron

**Features**

- Rolled rim
- Gently sloping backrest
- Smooth floor
- End drain
- Includes chrome legs, shipped separately

**Upgrades** (See page 3 for detail)

- W&O Options

# Drop-In Bath Quick Reference

---

## Upgrades & Accessories

---

### Upgrades

|                     |     |
|---------------------|-----|
| Info.....           | 3   |
| Compatibility ..... | 4   |
| Options .....       | 5-6 |

### Accessories

|                                   |   |
|-----------------------------------|---|
| Info.....                         | 6 |
| Standard Lateral Air System.....  | 7 |
| Standard HydroMassage System..... | 8 |

## Corner Baths

---

| Products   | Dimensions        | Item No. | Page |
|------------|-------------------|----------|------|
| Boudoir LH | 60" x 42" x 21"   | 42041    | 10   |
| Boudoir RH | 60" x 42" x 21"   | 42042    | 10   |
| Contessa   | 60" x 60" x 22 ½" | 42081    | 10   |
| Goddess 60 | 60" x 60" x 19 ½" | 42121    | 11   |
| Tissot     | 54" x 54" x 19 ⅝" | 42133    | 11   |

## Oval Baths

---

| Products   | Dimensions          | Item No. | Page |
|------------|---------------------|----------|------|
| Casablanca | 62" x 35" x 21"     | 42231    | 12   |
| JF180A     | 72" x 34 ⅝" x 17 ½" | 44161    | 12   |
| Marrakesh  | 68" x 35" x 21"     | 42251    | 13   |
| Tiffany    | 55" x 39 ½" x 31 ⅞" | 44355    | 13   |

## Drop-In Bath Quick Reference

### Rectangular Baths

| Products           | Dimensions   | Item No. | Page |
|--------------------|--|----------|------|
| Amsterdam          | 65 $\frac{3}{4}$ " x 35 $\frac{1}{2}$ " x 20 $\frac{7}{8}$ " | 42331    | 14   |
| Aura               | 65 $\frac{3}{4}$ " x 31 $\frac{1}{2}$ " x 20"                | 42333    | 14   |
| Balla 60           | 59 $\frac{1}{2}$ " x 31 $\frac{3}{4}$ " x 19"                | 42343    | 15   |
| Balla 66           | 65 $\frac{1}{2}$ " x 31 $\frac{1}{2}$ " x 19"                | 42344    | 15   |
| Balla 72           | 71 $\frac{1}{4}$ " x 35 $\frac{1}{2}$ " x 18 $\frac{1}{4}$ " | 42345    | 15   |
| Denmark            | 60" x 35 $\frac{7}{8}$ " x 20"                               | 42354    | 15   |
| Freya Therapeutica | 72" x 47 $\frac{1}{2}$ " x 24 $\frac{1}{2}$ "                | 42371    | 16   |
| Heritage           | 72" x 42" x 22"  | 42381    | 16   |
|                    |  | 42391-1  | 17   |
|                    |  | 42391-2  | 17   |
| Kobe               | 65" x 31 $\frac{3}{4}$ " x 21 $\frac{1}{2}$ "                | 42391-3  | 17   |
|                    |  | 42391-4  | 17   |
|                    |  | 42421-1  | 17   |
|                    |  | 42421-2  | 17   |
| Kyoto              | 59 $\frac{1}{2}$ " x 32 $\frac{1}{4}$ " x 21 $\frac{1}{4}$ " | 42421-3  | 17   |
|                    |  | 42421-4  | 17   |
| Lounge             | 65 $\frac{1}{4}$ " x 32" x 21 $\frac{3}{4}$ "                | 44225    | 18   |
| Rotterdam          | 71" x 35 $\frac{1}{2}$ " x 21"                               | 42461    | 18   |
| Stanley            | 60" x 32" x 20"  | 42471    | 19   |
| Vincent 59         | 59" x 29 $\frac{1}{2}$ " x 18 $\frac{7}{8}$ "                | 44216    | 19   |
| Vincent 67         | 67" x 31 $\frac{1}{2}$ " x 18 $\frac{7}{8}$ "                | 44218    | 19   |
| William            | 71" x 35" x 25 $\frac{1}{2}$ "                               | 45211    | 20   |

## Drop-In Bath Upgrades

---

### Chromatherapy

Immerse yourself within a sea of light created by a dual mini-light Chromatherapy system. Bathers can choose between red, orange, yellow, green, blue, turquoise, and magenta, or cycle through a range of 9 blended colours. Combine Chromatherapy with a massage system to create a total spa experience.

---

### Lateral Air

16 jets mounted around the perimeter of the bathing well infuse the water with a soothing stream of massaging bubbles. A ceramic heating core preheats the air as a 600-Watt Panasonic™ blower delivers a steady stream of warm air bubbles to the bather. Use the variable speed control pad to vary the intensity of the massage to your mood.

Enjoy peace of mind in knowing that all blowers are preprogrammed with an auto-drying cycle to clean and dry the system after every use.

---

### HydroMassage

The hydromassage is the most vigorous of all available upgrades, featuring a  $\frac{3}{4}$  hp high efficiency pump. Bath water circulates through 6 or more adjustable jets to deliver targeted massaging action with variable levels of intensity. Upgrade this massage system by adding additional jets or adding an in-line heater to help maintain your bath's water temperature.

---

### ComfortWarm™

ComfortWarm™ uses radiant heat technology to directly heat the surface of the bathtub's back-rest. Use the three heat settings to adjust the heat intensity at any time with a simple press of the electronic touchpad.

---

### VIBE Sound

The Vibe System allows you to enjoy your music or radio at the touch of a button in your shower or bathtub. The vibes of the music are synchronized with a Chromatherapy system that will change colors in synch with every beat of your favorite music.

---

### Aromatherapy

Only a few drops of fragrance are needed. The system works using a pump which leads the air towards the receptacle which is filled with a combination of water and a few essential oil drops. Once the aromatherapy system is turned on, the diffuser spreads the natural scent of the essential oil into the ambient air.

---



## Drop-In Bath Upgrade Compatibility

| Products           | Chromatherapy | LateralAir | HydroMassage | ComfortWarm™ | VIBE Sound | Aromatherapy |
|--------------------|---------------|------------|--------------|--------------|------------|--------------|
| Amsterdam          | +             | +          | +            | +            | I or II    | +            |
| Aura               | +             | +          | +            | +            | I or II    | +            |
| Balla 60/66/72     | +             | +          | +            | x2           | I or II    | +            |
| Boudoir            | +             | +          | +            | +            | I or II    | +            |
| Casablanca         | +             | +          | +            | +            | I or II    | +            |
| Contessa           | +             | +          | +            | x2           | I or II    | +            |
| Denmark            | +             | +          | +            | +            | I or II    | +            |
| Freya Therapeutica | +             | +          | +            | x2           | I or II    | +            |
| Goddess 60         | +             | +          | +            | x2           | I or II    | +            |
| Heritage           | +             | +          | +            | x2           | I or II    | +            |
| JF180A             | +             | +          | +            | x2           | I or II    | +            |
| Kobe               | +             | +          | +            | +            | I or II    | +            |
| Kyoto              | +             | +          | +            | +            | I or II    | +            |
| Lounge             | +             | +          | +            | +            | I or II    | +            |
| Marrakesh          | +             | +          | +            | +            | I or II    | +            |
| Rotterdam          | +             | +          | +            | +            | I or II    | +            |
| Stanley            | +             | +          | +            | +            | I or II    | +            |
| Tiffany            | +             | +          | +            | +            | I or II    | +            |
| Tissot             | +             | +          | +            | x2           | I or II    | +            |
| Vincent 59/67      | +             | +          | +            | +            | I or II    | +            |
| William            | +             | +          | +            | +            | I or II    | +            |

\* n/a = not available \* + = available

\*VIBE Sound I = Keypad, VIBE Sound II = Remote Control

Please note for putting together multiple upgrades contact Acritec Customer Service at [customerservice@acritec.com](mailto:customerservice@acritec.com).

## Drop-In Bath Upgrade Options

| <b>Lateral Air</b>   |       |
|--|-------|
| <b>16 Jet Air System</b>   |       |
| - White  | 00021 |
| - Brushed Nickel   | 00023 |
| - Polished Chrome  | 00024 |
| - Remote control for air blower                                  | 00133 |
| - Remote Location kit for air blower<br>(12' extra cable & hose) | 00131 |
| <b>Variable Air Blower</b> (Replacement)                         | 00180 |



| <b>HydroMassage</b>                  |       |
|--------------------------------------|-------|
| <b>6 Jet HydroMassage System</b>     |       |
| - White                              | 00101 |
| - Polished Chrome                    | 00104 |
| <b>8 Jet HydroMassage System</b>     |       |
| - White                              | 00111 |
| - Polished Chrome                    | 00114 |
| <b>Add 1x HydroMassage Jet</b>       |       |
| - White                              | 00151 |
| - Polished Chrome                    | 00154 |
| <b>Inline HydroMassage Heater</b>    | 00171 |
| <b>110V 3/4HP Pump</b> (Replacement) | 00260 |



|                                 |       |
|---------------------------------|-------|
| <b>Custom Jet System</b>        | 00155 |
| <b>Sound Deadening Pump Pad</b> | 00160 |

| <b>Chromatherapy Lights</b> | <b>Part #</b> |
|-----------------------------|---------------|
| 2 x White Finish            | 01020         |
| 2 x Chrome Finish           | 01021         |



| <b>ComfortWarm™</b>                             |          |
|---|----------|
| <b>1x</b> ComfortWarm™ Heated Backrest (70W)    | 01040-01 |
| <b>2x</b> ComfortWarm™ Heated Backrests (2x35W) | 01040-02 |

## Drop-In Bath Upgrade Options

### VIBE Sound System

#### VIBE I + Chromotherapy Lights

2x Speakers + 2x Chromotherapy Lights (**White Finish**) + **Advanced Keypad** 01022

2x Speakers + 2x Chromotherapy Lights (**Chrome Finish**) + **Advanced Keypad** 01023

#### VIBE II + Chromotherapy Lights (For Most Freestanding Tubs)

2x Speakers + 2x Chromotherapy Lights (**White Finish**) + **Remote Control** 01024

2x Speakers + 2x Chromotherapy Lights (**Chrome Finish**) + **Remote Control** 01025

### Aromatherapy System

Diffuser System + Keypad 01030



## Drop-In Bath Accessories

### Accessories

### Part #

#### Grab Bar - 6" (Installed)

- Clear / Gold Inserts 01002

- White 01003

#### Grab Bar - 10" (Installed)

- Chrome 01004

#### 144" Plastic Tiling Flange (Supply Only) 02040

#### 144" Plastic Tiling Flange (Flange Factory Installed) 02040.02050

#### 64" Plastic Tiling Flange (Supply Only) 02041

#### 64" Plastic Tiling Flange (Flange Factory Installed) 02041.02050

#### 78" Aluminum Tiling Flange (Supply Only) 02042

#### 78" Aluminum Tiling Flange (Flange Factory Installed) 02042.02050

### Clicker Waste & Overflow Kit

### Part #

Polished Chrome 01064

### Cable driven Mechanical Waste & Overflow Kit

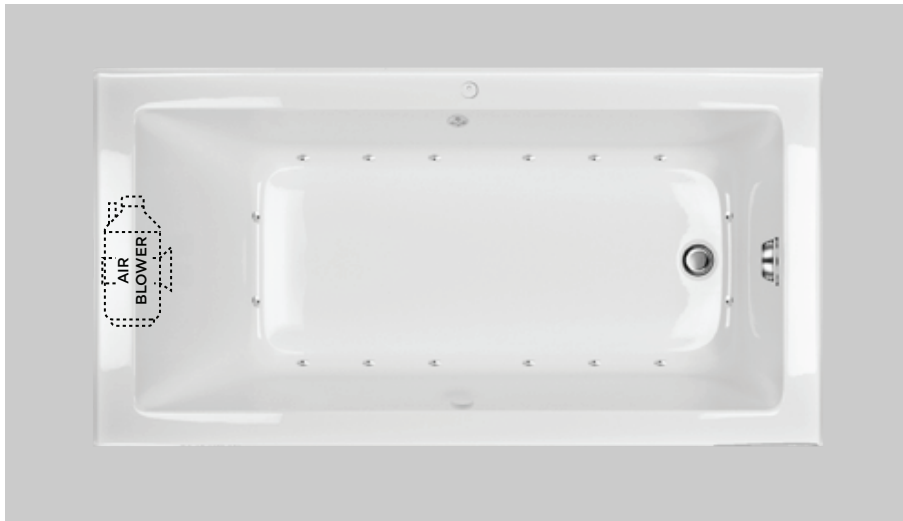
### Part #

Polished Chrome 01090



## Standard Location of the Air Blower for Drop-In Bath

Any deviation of the standard blower location refer to **00156 Custom Pump / Blower Location**



### Rectangular End Drain

16 Jet Air System



### Rectangular Middle Drain

16 Jet Air System



### Corner

16 Jet Air System

## Standard Location of the Water Pump for Drop-In Bath

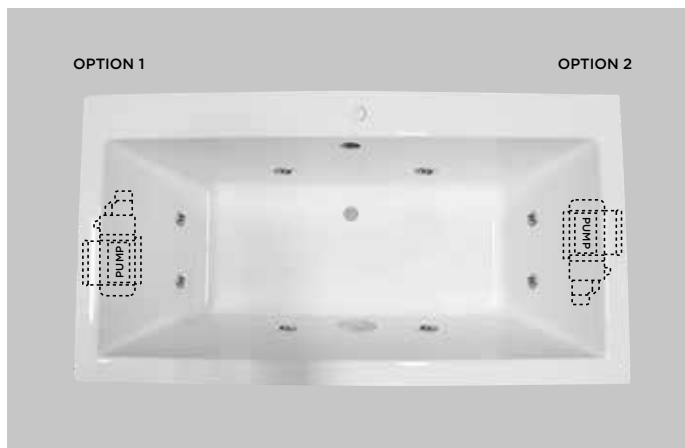
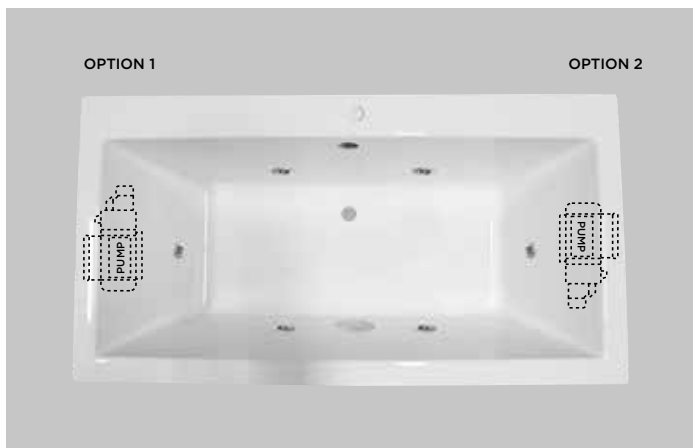
Any deviation of the standard pump location refer to **00156 Custom Pump / Blower Location**

### 6 Jet HydroMassage System

### 8 Jet HydroMassage System



**Rectangular End Drain**



**Rectangular Middle Drain**



**Corner**



## 08010

Pillow | Contoured | Compatible with all Acritec baths

---

**Dimensions**

11  $\frac{7}{8}$ " x 4  $\frac{3}{8}$ "

---

**Colour**

Black

---



## 08012

Pillow | Premium | Compatible with all Acritec baths

---

**Dimensions**

11  $\frac{1}{2}$ " x 6  $\frac{1}{2}$ "

---

**Colour**

Black

---



## 08014

Pillow | Contoured | For baths with rounded backrests

---

**Dimensions**

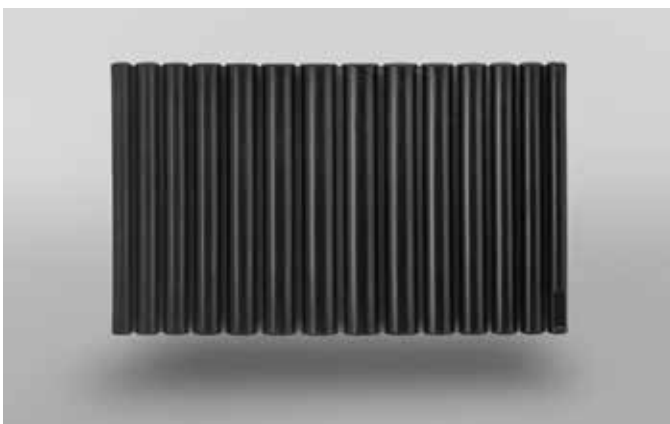
11  $\frac{1}{2}$ " x 3  $\frac{1}{8}$ "

---

**Colour**

Black

---



## 08016

Pillow | Premium | Compatible with all Acritec baths

---

**Dimensions**

15  $\frac{3}{4}$ " x 10  $\frac{1}{4}$ "

---

**Colour**

Black

---

### 3 | Drop-In Baths Corner

## Boudoir

---

### Part #

LH - 42041

---

RH - 42042

---

### Dimensions

60" x 42" x 21"

---

### Immersion Depth

14 ¼"

---

### Upgrades (See pg. 3-9 for details)

---

Chromatherapy

Lateral Air

HydroMassage

ComfortWarm™

VIBE Sound

Aromatherapy

Left Hand  
Shown



## Contessa

---

Part # 42081

---

### Dimensions

60" x 60" x 22 ½"

---

### Immersion Depth

13 ¼"

---

### Upgrades (See pg. 3-9 for details)

---

Chromatherapy

Lateral Air

HydroMassage

2 x ComfortWarm™

VIBE Sound

Aromatherapy





## Goddess 60

---

**Part #** 42121

---

**Dimensions**

60" x 60" x 19 1/2"

---

**Immersion Depth**

14 1/2"

---

**Upgrades** (See pg. 3-9 for details)

---

- Chromatherapy
- Lateral Air
- HydroMassage
- 2 x ComfortWarm™
- VIBE Sound
- Aromatherapy



## Tissot

---

**Part #** 42133

---

**Dimensions**

54" x 54" x 19 5/8"

---

**Immersion Depth**

16 1/2"

---

**Upgrades** (See pg. 3-9 for details)

---

- Chromatherapy
- Lateral Air
- HydroMassage
- 2 x ComfortWarm™
- VIBE Sound
- Aromatherapy



**3 | Drop-In Baths**  
**Oval**

**Casablanca**

---

**Part #** 42231

---

**Dimensions**

62" x 35" x 21"

---

**Immersion Depth**

15 ¼"

---

**Upgrades** (See pg. 3-9 for details)

---

Chromatherapy

Lateral Air

HydroMassage

ComfortWarm™

VIBE Sound

Aromatherapy



**JF180A**

---

**Part #** 44161

---

**Dimensions**

72" x 34 ⅝" x 17 ½"

---

**Immersion Depth**

12 ¾"

---

**Upgrades** (See pg. 3-9 for details)

---

Chromatherapy

Lateral Air

HydroMassage

2 x ComfortWarm™

VIBE Sound

Aromatherapy





## Marrakesh

---

**Part #** 42251

---

**Dimensions**

68" x 35" x 21"

---

**Immersion Depth**

15 ½"

---

**Upgrades** (See pg. 3-9 for details)

---

Chromatherapy

Lateral Air

HydroMassage

ComfortWarm™

VIBE Sound

Aromatherapy



## Tiffany

---

**Part #** 44355

---

**Dimensions**

55" x 39 ½" x 31 ⅞"

---

**Immersion Depth**

28 ½"

---

**Upgrades** (See pg. 3-9 for details)

---

Chromatherapy

Lateral Air

HydroMassage

ComfortWarm™

VIBE Sound

Aromatherapy

**3 | Drop-In Baths  
Rectangular**

## **Amsterdam**

---

**Part #** 42331

---

**Dimensions**

65 <sup>3</sup>/<sub>4</sub>" x 35 <sup>1</sup>/<sub>2</sub>" x 20 <sup>7</sup>/<sub>8</sub>"

---

**Immersion Depth**

16 <sup>1</sup>/<sub>2</sub>"

---

**Upgrades** (See pg. 3-9 for details)

---

Chromatherapy

Lateral Air

HydroMassage

ComfortWarm™

VIBE Sound

Aromatherapy



## **Aura**

---

**Part #** 42333

---

**Dimensions**

65 <sup>3</sup>/<sub>4</sub>" x 31 <sup>1</sup>/<sub>2</sub>" x 20"

---

**Immersion Depth**

15 <sup>1</sup>/<sub>2</sub>"

---

**Upgrades** (See pg. 3-9 for details)

---

Chromatherapy

Lateral Air

HydroMassage

ComfortWarm™

VIBE Sound

Aromatherapy





\* Undermount Compatible

## Balla

---

**Part #**

60" - 42343

---

66" - 42344

---

72" - 42345

---

**Dimensions**

Variable, please refer to spec sheets on website

---

**Immersion Depth**

12 1/2"

---

**Upgrades** (See pg. 3-9 for details)

---

Chromatherapy  
Lateral Air  
HydroMassage  
2 x ComfortWarm™  
VIBE Sound  
Aromatherapy

## Denmark

---

**Part #** 42354

---

**Dimensions**

60"x 35 7/8" x 20"

---

**Immersion Depth**

14 1/4"

---

**Upgrades** (See pg. 3-9 for details)

---

Chromatherapy  
Lateral Air  
HydroMassage  
ComfortWarm™  
VIBE Sound  
Aromatherapy



**3 | Drop-In Baths  
Rectangular**

**Freya Therapeutica**

**Part #** 42371

---

**Dimensions**

72" x 47 ½" x 24 ½"

---

**Immersion Depth**

19"

---

**Upgrades** (See pg. 3-9 for details)

---

Chromatherapy

Lateral Air

HydroMassage

2 x ComfortWarm™

VIBE Sound

Aromatherapy



**Heritage**

**Part #** 42381

---

**Dimensions**

72" x 42" x 22"

---

**Immersion Depth**

14 ½"

---

**Upgrades** (See pg. 3-9 for details)

---

Chromatherapy

Lateral Air

HydroMassage

2 x ComfortWarm™

VIBE Sound

Aromatherapy





## Kobe

---

**Lip + Part #**

1" - 42391-1

---

2" - 42391-2

---

3" - 42391-3

---

4" - 42391-4

---

**Dimensions**

65" x 31 3/4" x 21 1/2"

---

**Immersion Depth**

15 1/2"

---

**Upgrades** (See pg. 3-9 for details)

Chromatherapy

Lateral Air

HydroMassage

ComfortWarm™

VIBE Sound

Aromatherapy



## Kyoto

---

**Lip + Part #**

1" - 42421-1

---

2" - 42421-2

---

3" - 42421-3

---

4" - 42421-4

---

**Dimensions**

59 1/2" x 32 1/4" x 21 1/4"

---

**Immersion Depth**

16"

---

**Upgrades** (See pg. 3-9 for details)

Chromatherapy

Lateral Air

HydroMassage

ComfortWarm™

VIBE Sound

Aromatherapy

### 3 | Drop-In Baths Rectangular

## Lounge

---

Part # 44225

---

### Dimensions

65 ¼" x 32" x 21 ¾"

---

### Immersion Depth

13 ½"

---

**Upgrades** (See pg. 3-9 for details)

---

- Grab Bar
- Chromatherapy
- Lateral Air
- HydroMassage
- ComfortWarm™
- VIBE Sound
- Aromatherapy



## Rotterdam

---

Part # 42461

---

### Dimensions

71" x 35 ½" x 21"

---

### Immersion Depth

15"

---

**Upgrades** (See pg. 3-9 for details)

---

- Chromatherapy
- Lateral Air
- HydroMassage
- ComfortWarm™
- VIBE Sound
- Aromatherapy





## Stanley

---

**Part #** 42471

---

**Dimensions**

60" x 32" x 20"

---

**Immersion Depth**

15 ½"

---

**Upgrades** (See pg. 3-9 for details)

---

Chromatherapy

Lateral Air

HydroMassage

ComfortWarm™

VIBE Sound

Aromatherapy



## Vincent

---

**Part #**

**59"** - 44216

---

**67"** - 44218

---

**Dimensions**

**59"** - 59" x 29 ½" x 18 ⅞"

---

**67"** - 67" x 31 ½" x 18 ⅞"

---

**Immersion Depth**

12"

---

**Upgrades** (See pg. 3-9 for details)

---

Chromatherapy

Lateral Air

HydroMassage

ComfortWarm™

VIBE Sound

Aromatherapy



# William

---

**Part #**

45211

---

**Dimensions**

71" x 35" x 25 ½"

---

**Immersion Depth**

17"

---

**Upgrades** (See pg. 3-9 for details)

Chromatherapy

Lateral Air

HydroMassage

ComfortWarm™

VIBE Sound

Aromatherapy



# Freestanding Bath Quick Reference

---

## Upgrades & Accessories

---

### Acrylic

Upgrade Compatibility ..... 5-6  
 Options ..... 6-7  
 Accessories & Compatibility... 8-9

### Cast Iron

Upgrade & Accessories..... 10

### Composite

Upgrade & Accessories..... 11

### Acrylic

| 54" - 60"             | Dimensions                  | Part #    | Page |
|-----------------------|-----------------------------|-----------|------|
| Cadence               | 59" x 31 1/2" x 23 5/8"     | 44403     | 16   |
| Claude 54             | 54" x 31 1/8" x 28 3/8"     | 44330     | 19   |
| Claude 59             | 59" x 27 3/4" x 27 3/4"     | 44331     | 19   |
| - Black               | 59" x 27 3/4" x 27 3/4"     | 44331-BLK | 19   |
| Marlo                 | 59 7/8" x 31 7/8" x 23 5/8" | 44343     | 29   |
| Monaco 54             | 53 3/4" x 31 1/2" x 23 5/8" | 44457     | 31   |
| <b>Monaco 59</b>      | 59" x 31 1/2" x 23 5/8"     | 44459     | 31   |
| - Black               | 59" x 31 1/2" x 23 5/8"     | 44459-BLK | 31   |
| Olivia                | 60" x 31 1/2" x 30"         | 44329     | 32   |
| Renoir 59             | 59" x 29 1/2" x 23 1/2"     | 44313     | 34   |
| Toulon                | 59" x 31 1/2" x 23 5/8"     | 44466     | 40   |
| Vanessa (Closed Back) | 59" x 29 5/8" x 22 7/8"     | 44335.1   | 42   |
| Zaria                 | 59 1/4" x 29 5/8" x 23 5/8" | 44380     | 43   |

| 63" - 65" | Dimensions                  | Part # | Page |
|-----------|-----------------------------|--------|------|
| Catalina  | 63" x 35 1/2" x 22 7/8"     | 44425  | 17   |
| Marseille | 62 5/8" x 29 5/8" x 22 1/2" | 44351  | 30   |
| Monaco 63 | 63" x 31 3/8" x 23 5/8"     | 44460  | 31   |

## 4 | Freestanding Baths

### Acrylic

| 66" - 69"        | Dimensions            | Part #        | Page        |
|------------------|-----------------------|---------------|-------------|
| Antoine          | 66 ¼" x 31 ⅛" x 28 ¾" | 44369         | 13          |
| Arya             | 68 ½" x 30 ⅞" x 30 ¼" | 44317         | 14          |
| Bianca           | 67" x 29" x 33"       | 44345         | 15          |
| Clarice          | 67" x 33 ½" x 23 ¼"   | 44407         | 18          |
| Daphne           | 67" x 33 ½" x 22 ⅞"   | 44408         | 20          |
| Degas            | 67" x 29 ½" x 28 ⅜"   | 46055         | 21          |
| Elsie            | 66 ⅞" x 29 ½" x 22 ⅞" | 44352         | 22          |
| <b>Hawthorne</b> | 67" x 29 ½" x 27"     | 44361         | 24          |
| - Grey           | 67" x 29 ½" x 27"     | 44362         | 24          |
| <b>Hayden</b>    | 68 ¼" x 28 ½" x 29 ¾" | 44347         | 25          |
| - Gold           | 68 ¼" x 28 ½" x 29 ¾" | 44347-06      | 25          |
| - Silver         | 68 ¼" x 28 ½" x 29 ¾" | 44347-05      | 25          |
| <b>Lyon</b>      | 66 ⅞" x 31 ¼" x 23 ½" | 44271         | 27          |
| - Black          | 66 ⅞" x 31 ¼" x 23 ½" | 44271_Black   | 28          |
| Monaco 67        | 66 ⅞" x 31 ½" x 23 ⅝" | 44462         | 31          |
| <b>Penelope</b>  | 66 ¼" x 31 ½" x 23 ⅝" | 44471         | 33          |
| - Black          | 66 ¼" x 31 ½" x 23 ⅝" | 44471-BLK     | 33          |
| Renoir 67        | 67" x 31 ⅞" x 23 ½"   | 44315         | 34          |
| Sandor           | 68 ¾" x 31" x 27 ⅜"   | 44337         | 35          |
| Sansa            | 69" x 31 ⅞" x 27"     | 44327         | 36          |
| Sherin           | 67" x 29 ½" x 27 ½"   | 44333         | 37          |
| <b>Theo</b>      | 68 ½" x 31 ½" x 26 ¾" | 44377         | 38          |
| - Gold           | 68 ½" x 31 ½" x 26 ¾" | 44377-06      | 38          |
| - Silver         | 68 ½" x 31 ½" x 26 ¾" | 44377-05      | 38          |
| Tours            | 66 ¾" x 31 ½" x 23 ¼" | 44322         | 41          |
| <b>70"+</b>      | <b>Dimensions</b>     | <b>Part #</b> | <b>Page</b> |
| Florence         | 70 ⅞" x 31 ½" x 31 ½" | 44480         | 23          |

## Freestanding Cast Iron Bath Quick Reference

### Cast Iron

| 66"                 | Dimensions        | Part #   | Page |
|---------------------|-------------------|----------|------|
| Kraken White Skirt  | 66" x 28" x 29"   | 48042    | 44   |
| 67"                 | Dimensions        | Part #   | Page |
| Lusca Skirt - White | 67" x 26 ½" x 28" | 48040    | 45   |
| - Satin             | 67" x 26 ½" x 28" | 48040-02 | 46   |
| - Black             | 67" x 26 ½" x 28" | 48040-05 | 46   |
| - Mirror            | 67" x 26 ½" x 28" | 48040-08 | 46   |
| Makara              | 66 ⅞" x 30" x 32" | 48025    | 47   |

## Freestanding Composite Bath Quick Reference

### Composite

| 63"~65"  | Dimensions            | Part # | Page |
|----------|-----------------------|--------|------|
| Aida     | 63" x 34" x 22 ⅞"     | 46520  | 48   |
| Palermo  | 63 ⅜" x 28" x 22 ¼"   | 46507  | 53   |
| 66"~69"  | Dimensions            | Part # | Page |
| Delfina  | 66 ⅝" x 30 ¼" x 21"   | 46522  | 49   |
| Justina  | 66 ½" x 29 ¾" x 28 ¾" | 46524  | 52   |
| Juliet   | 67 ¼" x 31 ¼" x 22 ½" | 46521  | 51   |
| Poeta    | 67 ½" x 31 ½" x 21 ¼" | 46523  | 54   |
| Gauguin  | 68" x 40 ½" x 25 ¾"   | 46512  | 50   |
| 70"+     | Dimensions            | Part # | Page |
| Sicilian | 70 ¾" x 31 ½" x 21 ½" | 46513  | 55   |

## **Freestanding Bath Upgrades**

---

### **Chromatherapy**

Immerse yourself within a sea of light created by a dual mini-light Chromatherapy system. Bathers can choose between red, orange, yellow, green, blue, turquoise, and magenta, or cycle through a range of 9 blended colours. Combine Chromatherapy with a massage system to create a total spa experience.

---

### **Lateral Air**

16 jets mounted around the perimeter of the bathing well infuse the water with a soothing stream of massaging bubbles. A ceramic heating core preheats the air as a 600-Watt Panasonic™ blower delivers a steady stream of warm air bubbles to the bather. Use the variable speed control pad to vary the intensity of the massage to your mood.

Enjoy peace of mind in knowing that all blowers are preprogrammed with an auto-drying cycle to clean and dry the system after every use.

---

### **Roughin EZ**

The Roughin EZ Drain provides an easy way to install a free standing bathtub. Kit includes a reusable test plug, twist lock coupling, brass tailpiece, nut and flat washer.

---

### **ComfortWarm™**

ComfortWarm™ uses radiant heat technology to directly heat the surface of the bathtub's back-rest. Use the three heat settings to adjust the heat intensity at any time with a simple press of the electronic touchpad.

---

### **VIBE Sound**

The Vibe System allows you to enjoy your music or radio at the touch of a button in your shower or bathtub. The vibes of the music are synchronized with a Chromatherapy system that will change colors in synch with every beat of your favorite music.

---

### **Aromatherapy**

Only a few drops of fragrance are needed. The system works using a pump which leads the air towards the receptacle which is filled with a combination of water and a few essential oil drops. Once the aromatherapy system is turned on, the diffuser spreads the natural scent of the essential oil into the ambient air.

---

## Freestanding Acrylic Bath Upgrade Compatibility

| Products  | ComfortWarm™ | Roughin EZ | Chromatherapy | Lateral Air | VIBE Sound | Aromatherapy |
|-----------|--------------|------------|---------------|-------------|------------|--------------|
| Antoine   | x2           | +          | +             | n/a         | II         | n/a          |
| Arya      | n/a          | +          | n/a           | n/a         | II         | n/a          |
| Bianca    | n/a          | +          | n/a           | n/a         | II         | n/a          |
| Cadence   | x2           | +          | n/a           | n/a         | II         | n/a          |
| Catalina  | x1           | +          | +             | +           | I or II    | +            |
| Clarice   | x2           | +          | +             | +           | I or II    | +            |
| Claude    | x1           | +          | n/a           | n/a         | II         | n/a          |
| Daphne    | x2           | +          | +             | +           | I or II    | +            |
| Degas     | n/a          | +          | n/a           | n/a         | II         | n/a          |
| Elsie     | x2           | +          | n/a           | n/a         | II         | n/a          |
| Florence  | x1           | +          | +             | n/a         | II         | n/a          |
| Hawthorne | n/a          | +          | n/a           | n/a         | II         | n/a          |
| Hayden    | x2           | +          | n/a           | n/a         | I or II    | n/a          |
| Lyon      | x2           | +          | +             | +           | I or II    | +            |
| Marlo     | x1           | +          | +             | +           | I or II    | +            |
| Marseille | x2           | +          | +             | +           | I or II    | +            |
| Monaco    | n/a          | +          | n/a           | n/a         | II         | n/a          |
| Olivia    | x1           | +          | +             | +           | I or II    | +            |
| Penelope  | x2           | +          | n/a           | n/a         | I or II    | n/a          |
| Renoir    | x2           | +          | +             | +           | II         | n/a          |
| Sandor    | n/a          | +          | n/a           | n/a         | II         | n/a          |

\* n/a = not available \* + = available

\*VIBE Sound I = Keypad, VIBE Sound II = Remote Control

Please note for putting together multiple upgrades contact Acritec Customer Service at [customerservice@acritec.com](mailto:customerservice@acritec.com).

## Freestanding Acrylic Bath Upgrade Compatibility

| Products              | ComfortWarm™ | Roughin EZ | Chromatherapy | Lateral Air | VIBE Sound | Aromatherapy |
|-----------------------|--------------|------------|---------------|-------------|------------|--------------|
| Sansa                 | n/a          | +          | n/a           | n/a         | II         | n/a          |
| Sherin                | x1           | +          | n/a           | n/a         | I or II    | n/a          |
| Theo                  | x2           | +          | n/a           | n/a         | II         | n/a          |
| Toulon                | x2           | +          | +             | +           | I or II    | n/a          |
| Tours                 | x2           | +          | n/a           | n/a         | II         | n/a          |
| Vanessa (Closed Back) | x2           | +          | +             | n/a         | I or II    | +            |
| Zaria                 | n/a          | +          | n/a           | n/a         | II         | n/a          |

\* n/a = not available \* + = available

\*VIBE Sound I = Keypad, VIBE Sound II = Remote Control

Please note for putting together multiple upgrades contact Acritec Customer Service at [customerservice@acritec.com](mailto:customerservice@acritec.com).

## Freestanding Acrylic Bath Upgrade Options

### Lateral Air

#### 16 Jet Air System

- White 00021

- Brushed Nickel 00023

- Polished Chrome 00024

- Remote control for air blower 00133

- Remote Location kit for air blower (12' extra cable & hose) 00131

Sound Deadening Pump Pad 00160

Variable Air Blower (Replacement) 00180

Custom Jet System 00155



## Freestanding Acrylic Bath Upgrade Options

| Chromatherapy Lights | Part # |
|----------------------|--------|
| 2 x White Finish     | 01020  |
| 2 x Chrome Finish    | 01021  |



| VIBE Sound System   |       |
|---|-------|
| VIBE I + Chromatherapy Lights   |       |
| 2x Speakers + 2x Chromatherapy Lights ( <b>White Finish</b> ) + <b>Advanced Keypad</b>  | 01022 |
| 2x Speakers + 2x Chromatherapy Lights ( <b>Chrome Finish</b> ) + <b>Advanced Keypad</b> | 01023 |
| VIBE II + Chromatherapy Lights (For Most Freestanding Tubs)                             |       |
| 2x Speakers + 2x Chromatherapy Lights ( <b>White Finish</b> ) + <b>Remote Control</b>   | 01024 |
| 2x Speakers + 2x Chromatherapy Lights ( <b>Chrome Finish</b> ) + <b>Remote Control</b>  | 01025 |



| Aromatherapy System      |       |
|--------------------------|-------|
| Diffuser System + Keypad | 01030 |

| ComfortWarm™                             | Part #   |
|--|----------|
| 1x ComfortWarm™ Heated Backrest (70W)    | 01040-01 |
| 2x ComfortWarm™ Heated Backrests (2x35W) | 01040-02 |

| Roughin EZ                  |       |
|-----------------------------|-------|
| Easy installation drain kit | 01086 |

### Roughin EZ

The Roughin EZ Drain provides an easy way to install a free standing bathtub. Kit includes a reusable test plug, twist lock coupling, brass tailpiece, nut and flat washer.





## Freestanding Acrylic Bath Accessories

**Popup Drain Only** (for slotted freestanding tubs) Part #

|                             |       |
|-----------------------------|-------|
| Polished Chrome             | 01089 |
| Brushed Nickel              | 01091 |
| Matte Black                 | 01092 |
| Oil Rubbed Bronze           | 01093 |
| Polished Gold               | 01094 |
| White                       | 01095 |
| Brass Assembly              | 01098 |
| Drain Stopper (Replacement) | 01099 |



**Popup Drain + Overflow Cover Plate** Part #

|                   |       |
|-------------------|-------|
| Polished Chrome   | 01085 |
| Brushed Nickel    | 01080 |
| Matte Black       | 01084 |
| Oil Rubbed Bronze | 01079 |
| Polished Gold     | 01078 |

\*Overflow cover plate for upgraded finishes need to be factory installed.



## Freestanding Acrylic Bath Accessories Compatibility

| Products              | Upgraded Finishes |                |       |                   |      |
|-----------------------|-------------------|----------------|-------|-------------------|------|
|                       | Chrome            | Brushed Nickel | Black | Oil Rubbed Bronze | Gold |
| Antoine               | +                 | +              | +     | +                 | +    |
| Arya                  | +                 | +              | +     | +                 | +    |
| Bianca                | +                 | +              | +     | +                 | +    |
| Cadence               | +                 | +              | +     | +                 | +    |
| Catalina              | +                 | +              | +     | +                 | +    |
| Clarice               | +                 | +              | +     | +                 | +    |
| Claude 54/59          | +                 | +              | +     | +                 | +    |
| Daphne                | +                 | +              | +     | +                 | +    |
| Degas                 | +                 | +              | +     | +                 | +    |
| Elsie                 | +                 | +              | +     | +                 | +    |
| Florence              | +                 | +              | +     | +                 | +    |
| Hawthorne             | +                 | +              | +     | +                 | +    |
| Hayden                | +                 | +              | +     | +                 | +    |
| Lyon                  | +                 | +              | +     | +                 | +    |
| Marlo                 | +                 | +              | +     | +                 | +    |
| Marseille             | +                 | +              | +     | +                 | +    |
| Monaco                | +                 | +              | +     | +                 | +    |
| Olivia                | +                 | +              | +     | +                 | +    |
| Penelope              | +                 | +              | +     | +                 | +    |
| Renoir 59/67          | +                 | +              | +     | +                 | +    |
| Sandor                | +                 | +              | +     | +                 | +    |
| Sansa                 | +                 | +              | +     | +                 | +    |
| Sherin                | +                 | +              | +     | +                 | +    |
| Theo                  | +                 | +              | +     | +                 | +    |
| Toulon                | +                 | +              | +     | +                 | +    |
| Tours                 | +                 | +              | +     | +                 | +    |
| Vanessa (Closed Back) | +                 | +              | +     | +                 | +    |
| Zaria                 | +                 | +              | +     | +                 | +    |

\* n/a = not available \* + = available

## Freestanding Cast Iron Bath Accessories

### Waste & Overflow Chrome

Part #: 01060

Chrome waste & overflow kit

**CLICKER and PLUG & CHAIN**

## Freestanding Cast Iron Bath Upgrades & Accessories Compatibility

| Products | Waste & Overflow<br>(Chrome) |
|----------|------------------------------|
| Kraken   | +                            |
| Lusca    | +                            |
| Makara   | +                            |

\* n/a = not available \* + = available



## Freestanding Composite Bath Upgrade Compatibility

---

| <b>Products</b> | <b>n/a</b> |
|-----------------|------------|
| Aida            | n/a        |
| Delfina         | n/a        |
| Juliet          | n/a        |
| Justina         | n/a        |
| Poeta           | n/a        |
| Gauguin         | n/a        |
| Palermo         | n/a        |
| Sicilian        | n/a        |

\* n/a = not available    \* + = available

4 | Freestanding Baths  
Upgrades & Accessories



## 08010

Pillow | Contoured | Compatible with all Acritec baths

---

**Dimensions**

11  $\frac{7}{8}$ " x 4  $\frac{3}{8}$ "

---

**Colour**

Black

---



## 08012

Pillow | Premium | Compatible with all Acritec baths

---

**Dimensions**

11  $\frac{1}{2}$ " x 6  $\frac{1}{2}$ "

---

**Colour**

Black

---



## 08014

Pillow | Contoured | For baths with rounded backrests

---

**Dimensions**

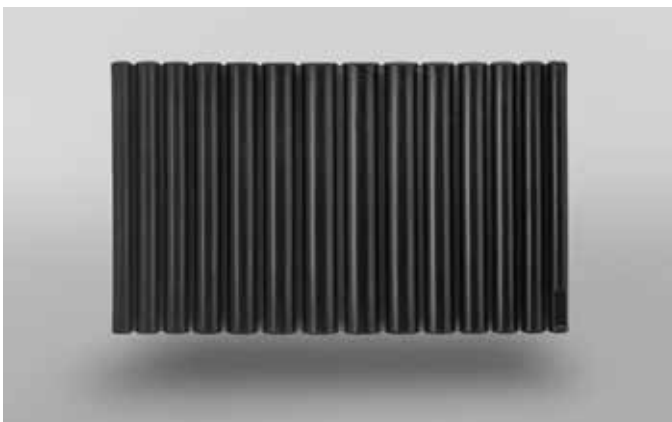
11  $\frac{1}{2}$ " x 3  $\frac{1}{8}$ "

---

**Colour**

Black

---



## 08016

Pillow | Premium | Compatible with all Acritec baths

---

**Dimensions**

15  $\frac{3}{4}$ " x 10  $\frac{1}{4}$ "

---

**Colour**

Black

---



## Antoine

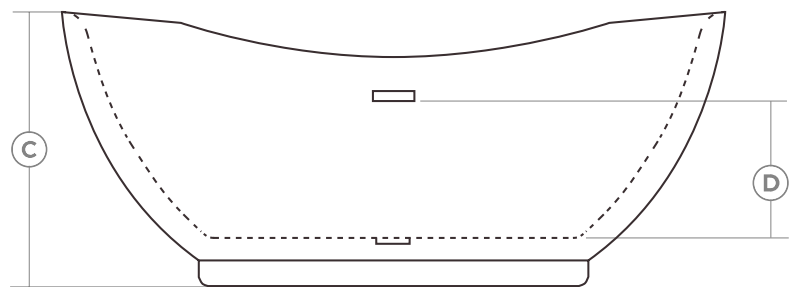
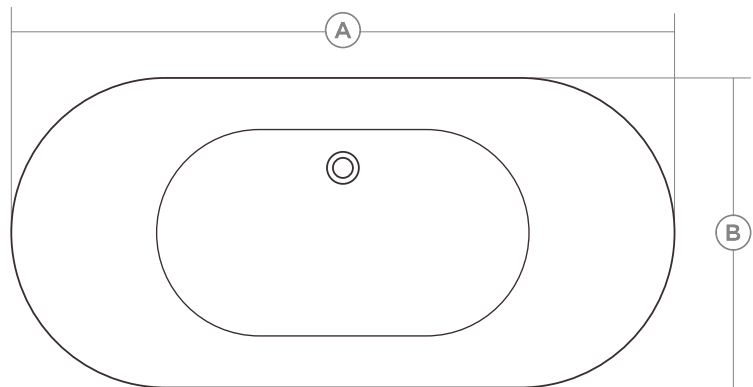
Part # 44369

### Features

- Seamless one-piece design
- Overflow plate included
- Clicker style pop-up drain
- Flow through style drain
- Internal steel frame
- Adjustable legs

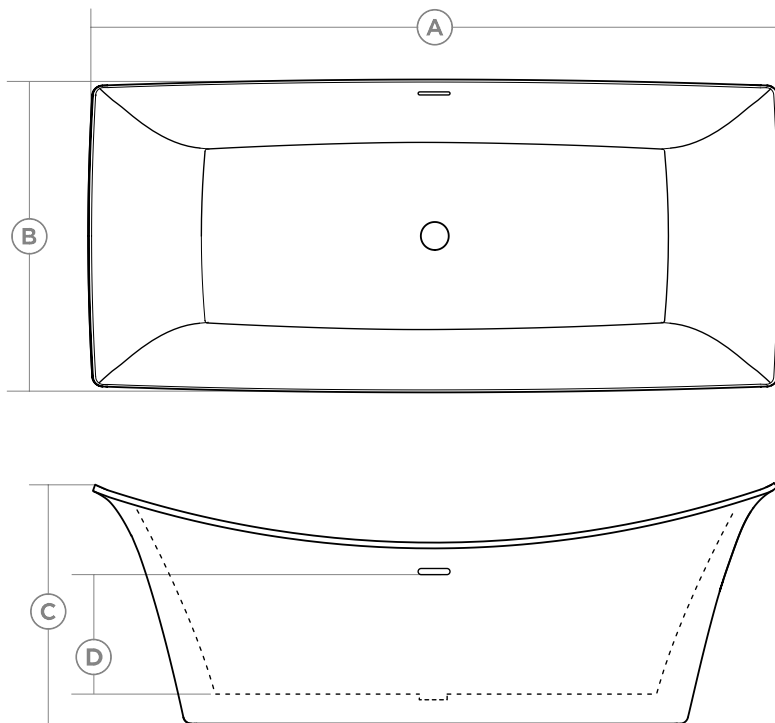
### Upgrades (See pg. 3-12 for details)

- Chromatherapy
- Roughin EZ Drain
- 2 x ComfortWarm™
- VIBE Sound
- Colored drain options available  
(See pg. 8-9 in this section)



| A Length | B Width | C Height | D Immersion Depth |
|----------|---------|----------|-------------------|
| 66 ¼"    | 31 ⅛"   | 28 ¾"    | 14"               |

4 | Freestanding Baths  
Acrylic



## Arya

Part # 44317

### Features

- Seamless one-piece design
- Slotted overflow
- Clicker style pop-up drain
- Flow through style drain
- Internal steel frame
- Adjustable legs

### Upgrades (See pg. 3-12 for details)

- Roughin EZ Drain
- VIBE Sound
- Colored drain options available (See pg. 8-9 in this section)

| A Length | B Width | C Height | D Immersion Depth |
|----------|---------|----------|-------------------|
| 68 ½"    | 30 7/8" | 30 ¼"    | 14"               |



## Bianca

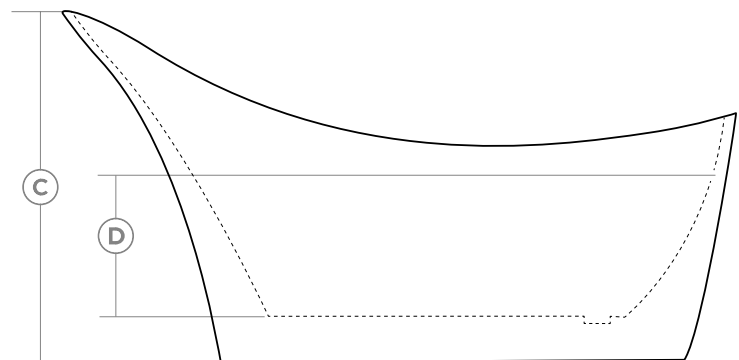
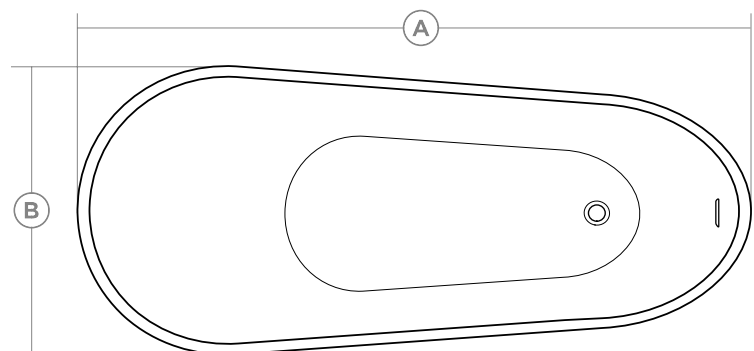
Part # 44345

### Features

- Seamless one-piece design
- Slotted overflow
- Clicker style pop-up drain
- Flow through style drain
- Internal steel frame
- Adjustable legs

### Upgrades (See pg. 3-12 for details)

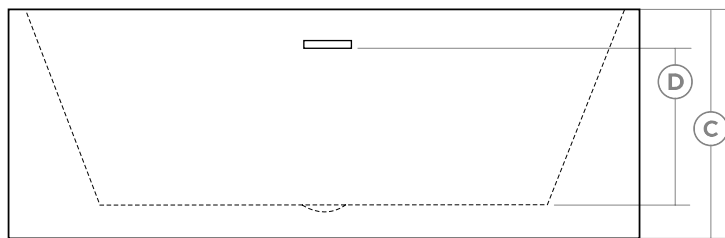
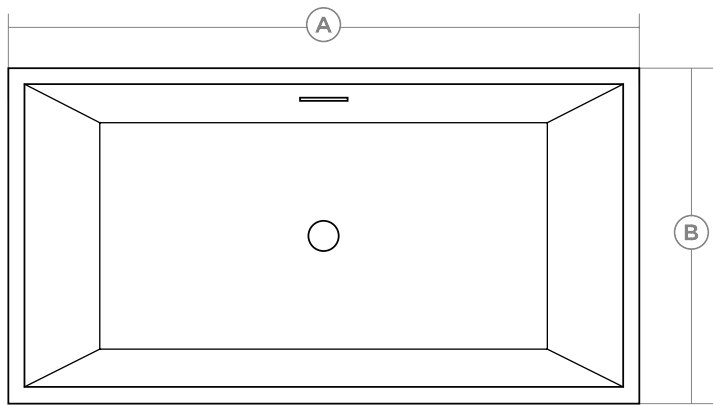
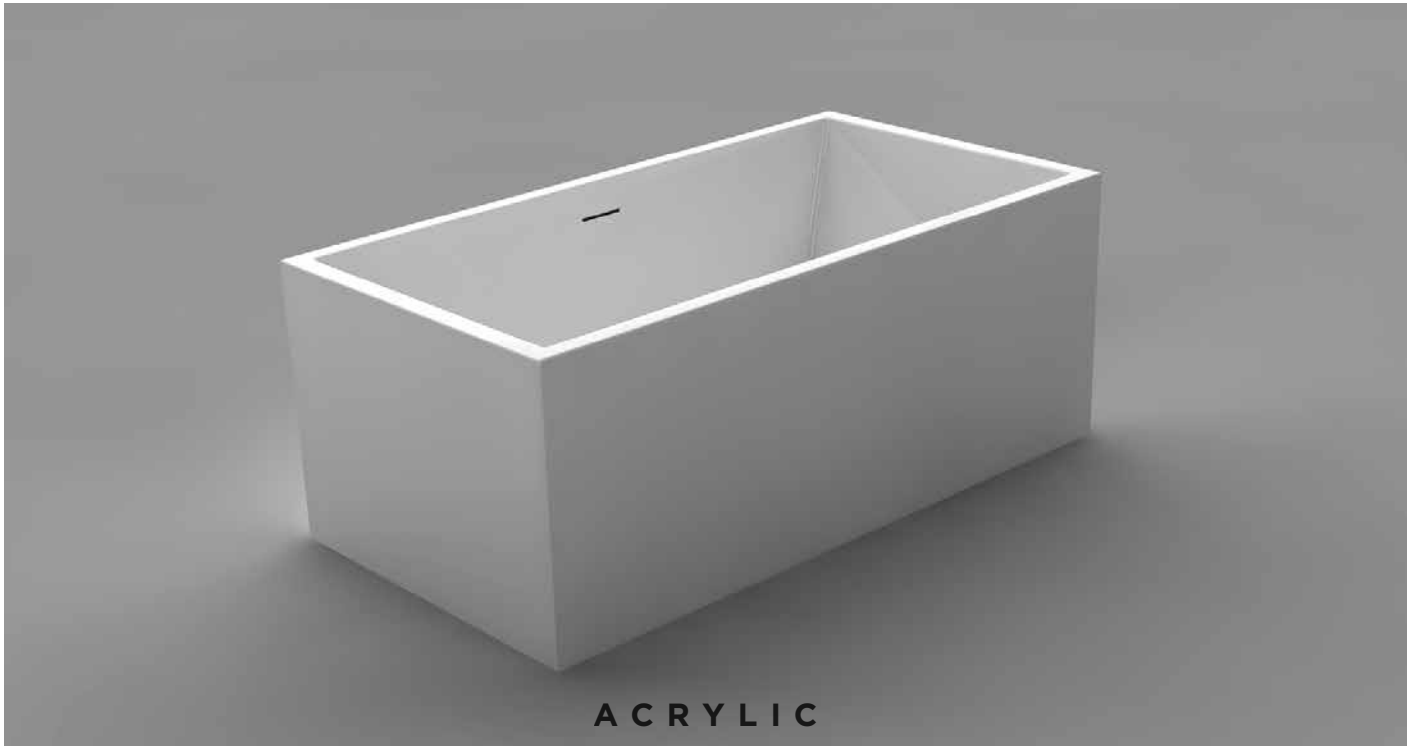
- Roughin EZ Drain
- VIBE Sound
- Colored drain options available  
(See pg. 8-9 in this section)



| A Length | B Width | C Height | D Immersion Depth |
|----------|---------|----------|-------------------|
| 67"      | 29"     | 33"      | 15"               |



**4 | Freestanding Baths**  
**Acrylic**



| <b>A</b> Length | <b>B</b> Width | <b>C</b> Height | <b>D</b> Immersion Depth |
|-----------------|----------------|-----------------|--------------------------|
| 59"             | 31 1/2"        | 23 5/8"         | 15 1/4"                  |

**Cadence**

**Part #** 44403

**Features**

- Seamless one-piece design
- Slotted overflow
- Clicker style pop-up drain
- Flow through style drain
- Internal steel frame
- Adjustable legs

**Upgrades** (See pg. 3-12 for details)

- Roughin EZ Drain
- 2 x ComfortWarm™
- VIBE Sound
- Colored drain options available (See pg. 8-9 in this section)



## Catalina

**Part #** 44425

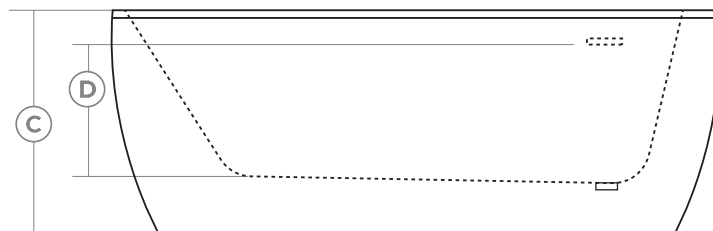
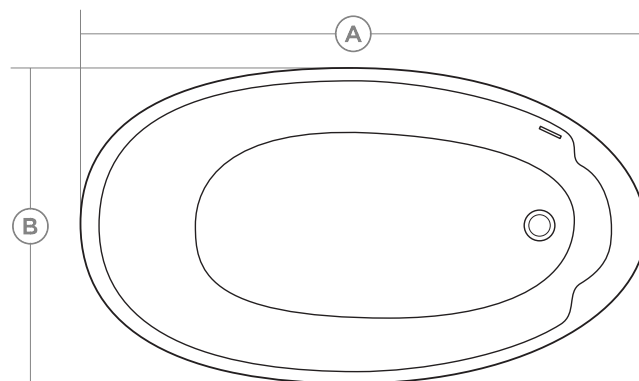
### Features

- Seamless one-piece design
- Slotted overflow
- Clicker style pop-up drain
- Deck mount faucet compatible
- Flow through style drain
- Internal steel frame
- Adjustable legs

**Upgrades** (See pg. 3-12 for details)

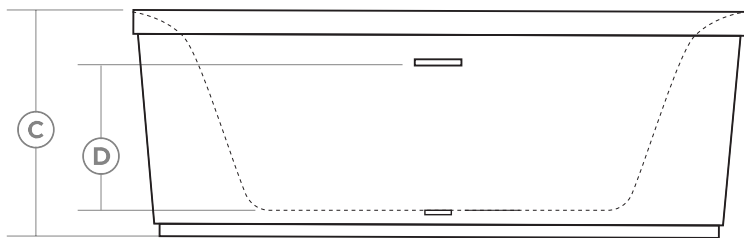
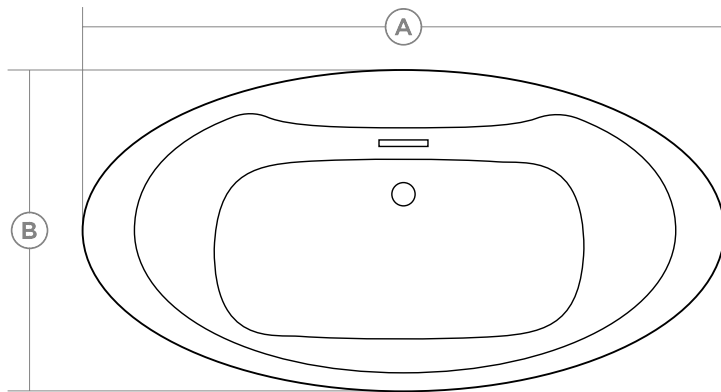
- Chromatherapy
- Lateral Air
- Roughin EZ Drain
- ComfortWarm™
- VIBE Sound
- Aromatherapy
- Colored drain options available

(See pg. 8-9 in this section)



| A Length | B Width | C Height | D Immersion Depth |
|----------|---------|----------|-------------------|
| 63"      | 35 ½"   | 22 ⅞"    | 14 ¾"             |

**4 | Freestanding Baths**  
**Acrylic**



| <b>A</b> Length | <b>B</b> Width | <b>C</b> Height | <b>D</b> Immersion Depth |
|-----------------|----------------|-----------------|--------------------------|
| 67"             | 33 1/2"        | 23 1/4"         | 14 1/2"                  |

**Clarice**

**Part #** 44407

**Features**

- Two-piece design
- Slotted overflow
- Clicker style pop-up drain
- Deck mount faucet compatible
- Flow through style drain
- Internal steel frame
- Adjustable legs

**Upgrades** (See pg. 3-12 for details)

- Chromatherapy
- Lateral Air
- Roughin EZ Drain
- 2 x ComfortWarm™
- VIBE Sound
- Aromatherapy
- Colored drain options available  
 (See pg. 8-9 in this section)



## Claude

### Part #

54" - 44330

59" - 44331

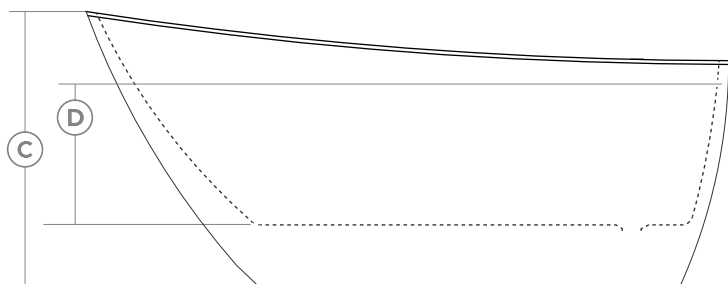
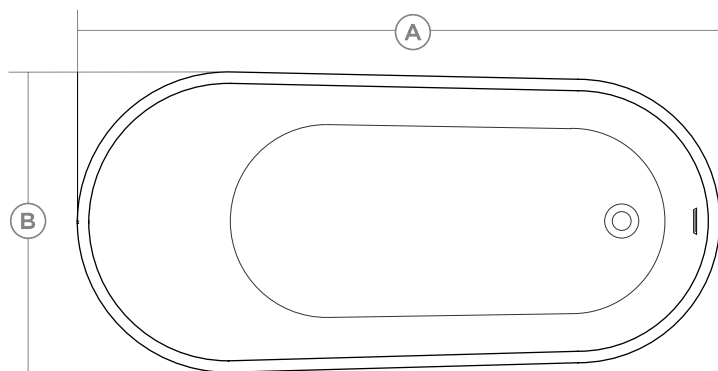
44331-BLK

### Features

- Seamless one-piece design
- Slotted overflow
- Clicker style pop-up drain
- Flow through style drain
- Internal steel frame
- Adjustable legs

### Upgrades (See pg. 3-12 for details)

- Roughin EZ Drain
- 1 x ComfortWarm™
- VIBE Sound
- Colored drain options available  
(See pg. 8-9 in this section)



| A Length | B Width | C Height | D Immersion Depth |
|----------|---------|----------|-------------------|
| 54"      | 31 1/8" | 28 3/8"  | 14 1/2"           |
| 59"      | 28"     | 27 3/4"  | 15 1/4"           |

**4 | Freestanding Baths**  
**Acrylic**



**Daphne**

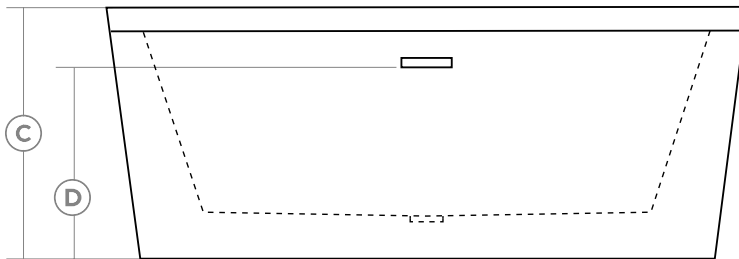
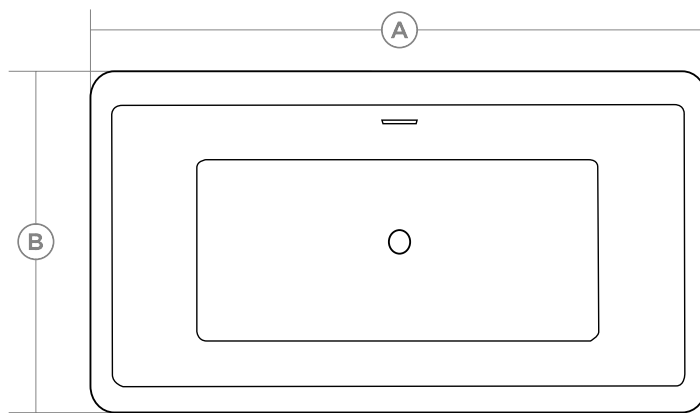
**Part #** 44408

**Features**

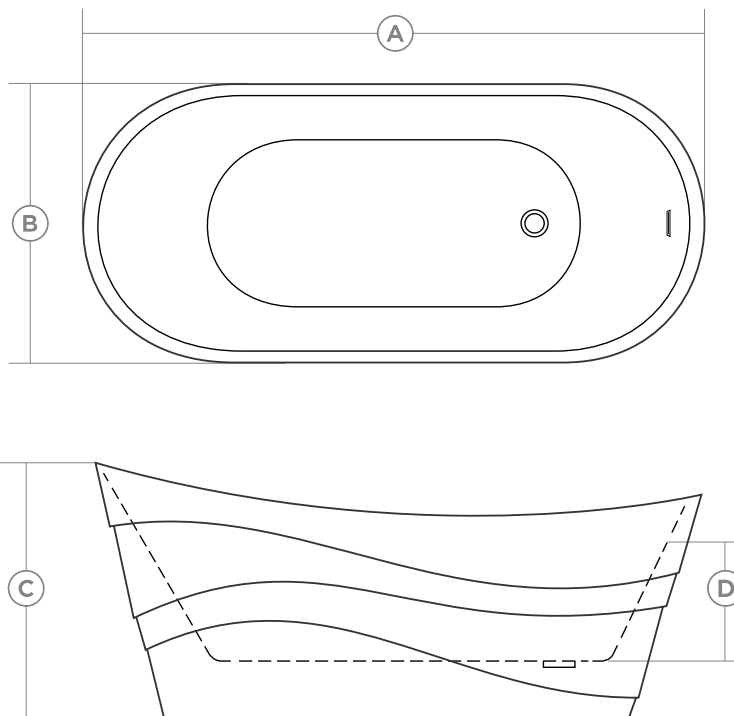
- Two-piece design
- Slotted overflow
- Clicker style pop-up drain
- Deck mount faucet compatible
- Flow through style drain
- Internal steel frame
- Adjustable legs

**Upgrades** (See pg. 3-12 for details)

- Chromatherapy
- Lateral Air
- Roughin EZ Drain
- 2 x ComfortWarm™
- VIBE Sound
- Aromatherapy
- Colored drain options available  
 (See pg. 8-9 in this section)



| <b>A</b> Length | <b>B</b> Width | <b>C</b> Height | <b>D</b> Immersion Depth |
|-----------------|----------------|-----------------|--------------------------|
| 67"             | 33 1/2"        | 22 7/8"         | 14 1/2"                  |



| A Length | B Width | C Height | D Immersion Depth |
|----------|---------|----------|-------------------|
| 67"      | 29 1/2" | 28 3/8"  | 15"               |

## Degas

Part # 46055

### Features

- Seamless one-piece design
- Slotted overflow
- Clicker style pop-up drain
- Flow through style drain
- Internal steel frame
- Adjustable legs

### Upgrades (See pg. 3-12 for details)

- Roughin EZ Drain
- VIBE Sound
- Colored drain options available  
(See pg. 8-9 in this section)

**4 | Freestanding Baths**  
**Acrylic**



**Elsie**

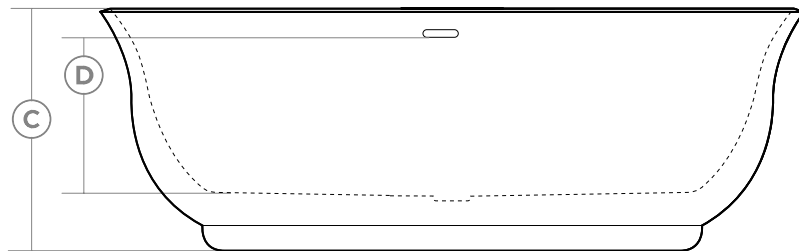
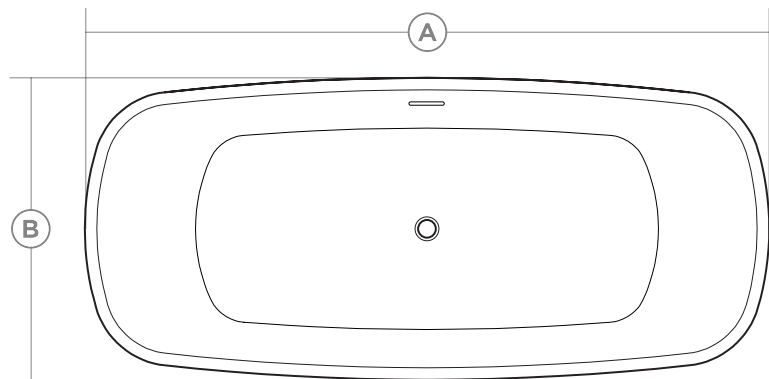
**Part #** 44352

**Features**

- Seamless one-piece design
- Slotted overflow
- Clicker style pop-up drain
- Flow through style drain
- Internal steel frame
- Adjustable legs

**Upgrades** (See pg. 3-12 for details)

- Roughin EZ Drain
- 2 x ComfortWarm™
- VIBE Sound
- Colored drain options available  
 (See pg. 8-9 in this section)



| <b>A</b> Length | <b>B</b> Width | <b>C</b> Height | <b>D</b> Immersion Depth |
|-----------------|----------------|-----------------|--------------------------|
| 66 7/8"         | 29 1/2"        | 22 7/8"         | 14 1/4"                  |



## Florence

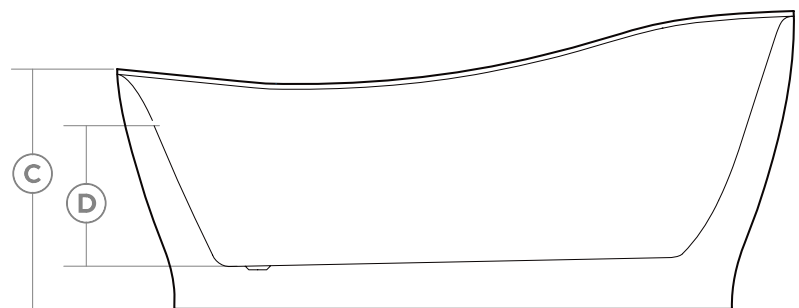
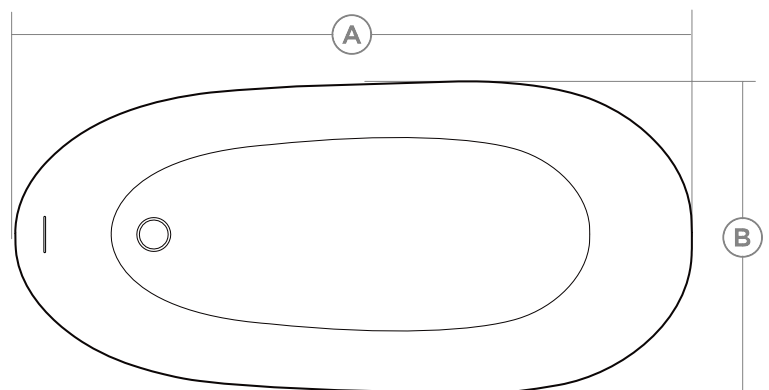
Part # 44480

### Features

- Seamless one-piece design
- Slotted overflow
- Clicker style pop-up drain
- Flow through style drain
- Internal steel frame
- Adjustable legs

### Upgrades (See pg. 3-12 for details)

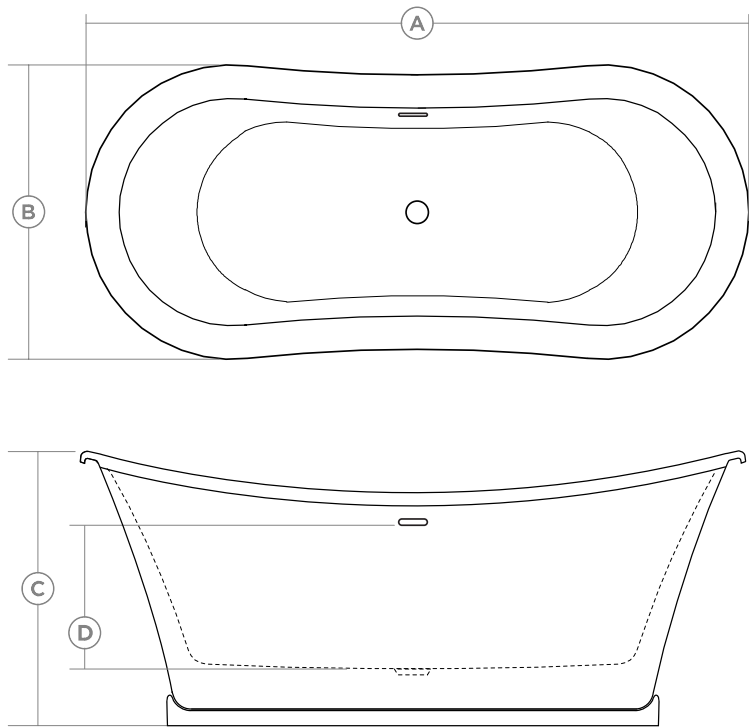
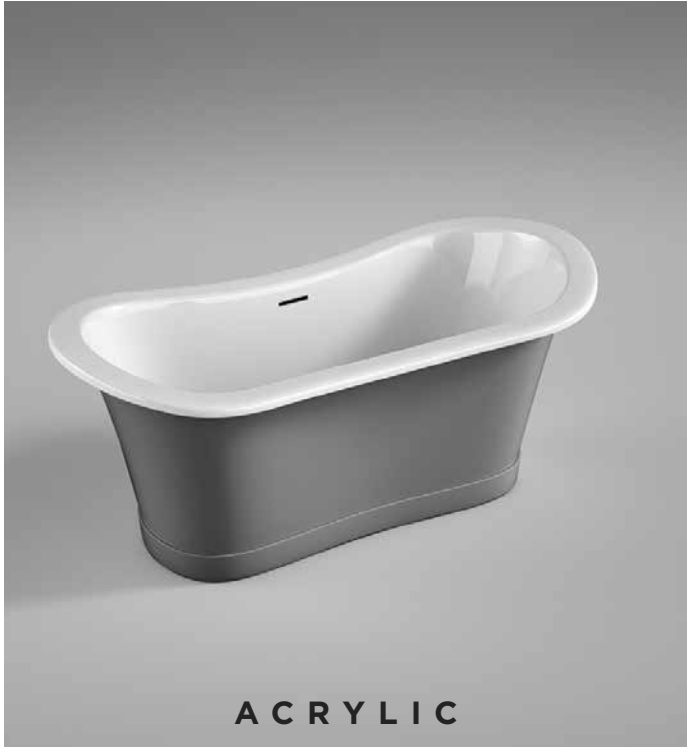
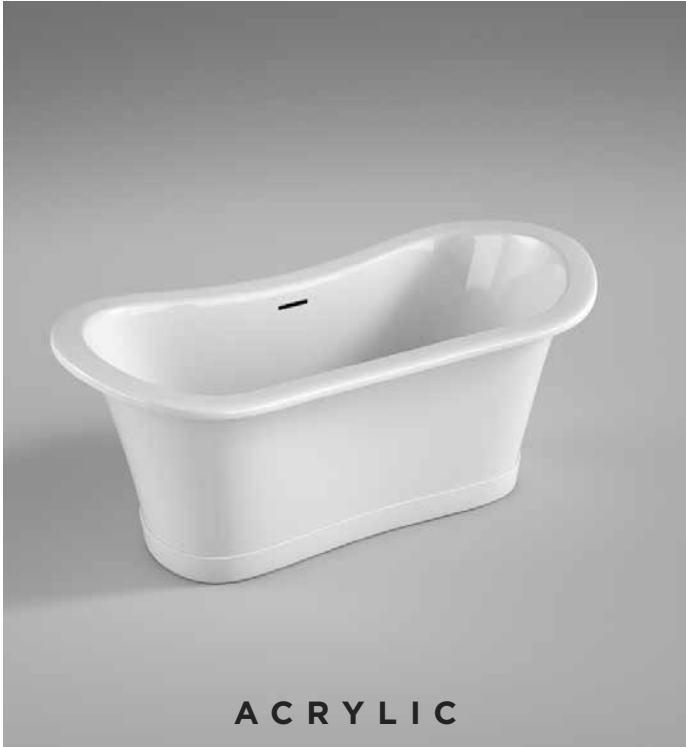
- Chromotherapy
- Roughin EZ Drain
- ComfortWarm™
- VIBE Sound
- Colored drain options available  
(See pg. 8-9 in this section)



| A Length | B Width | C Height | D Immersion Depth |
|----------|---------|----------|-------------------|
| 70 7/8"  | 31 1/2" | 31 1/2"  | 15 1/2"           |



**4 | Freestanding Baths**  
**Acrylic**



| <b>A</b> Length | <b>B</b> Width | <b>C</b> Height | <b>D</b> Immersion Depth |
|-----------------|----------------|-----------------|--------------------------|
| 67"             | 29 ½"          | 27"             | 14"                      |

**Hawthorne**

**Part #**

**White** - 44361

**Grey** - 44362

**Features**

- Seamless one-piece design
- White or Grey finish
- Slotted overflow
- Clicker style pop-up drain
- Flow through style drain
- Internal steel frame
- Adjustable legs

**Upgrades** (See pg. 3-12 for details)

- Roughin EZ Drain
- VIBE Sound
- Colored drain options available  
 (See pg. 8-9 in this section)



## Hayden

### Part #

White - 44347

Gold - 44347-06

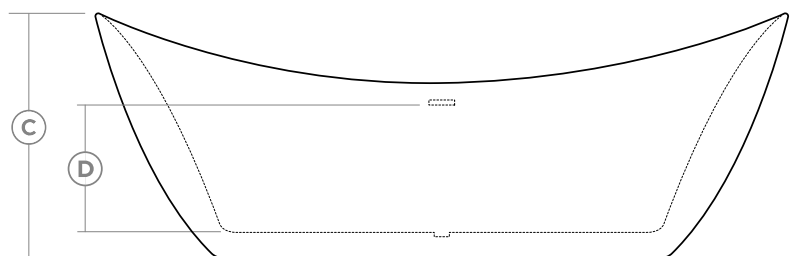
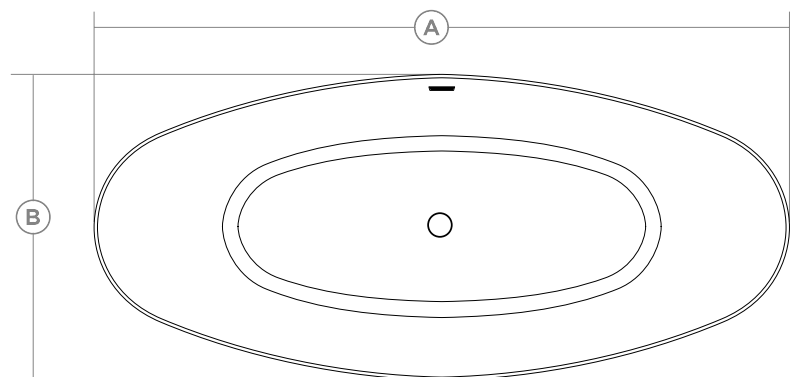
Silver - 44347-05

### Features

- Seamless one-piece design
- Slotted overflow
- Clicker style pop-up drain
- Flow through style drain
- Internal steel frame
- Adjustable legs

### Upgrades (See pg. 3-12 for details)

- Roughin EZ Drain
  - 2 x ComfortWarm™
  - VIBE Sound
  - Colored drain options available
- (See pg. 8-9 in this section)



| A Length | B Width | C Height | D Immersion Depth |
|----------|---------|----------|-------------------|
| 68 ¼"    | 28 ½"   | 29 ¾"    | 14"               |

4 | Freestanding Baths  
Acrylic





ACRYLIC

Lyon  
White Finish  
44271

**4 | Freestanding Baths**  
**Acrylic**



**Lyon**

**Part #**

44271

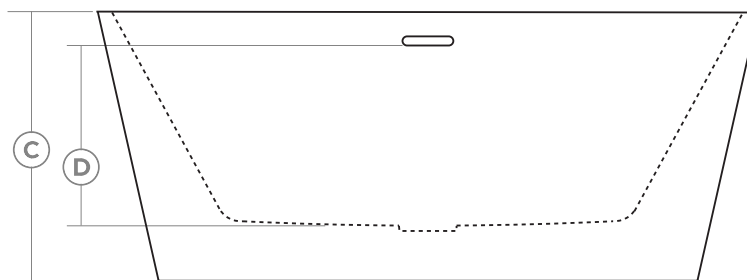
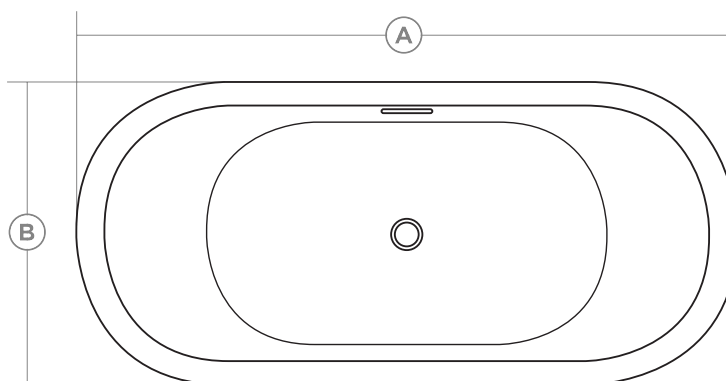
44271\_Black

**Features**

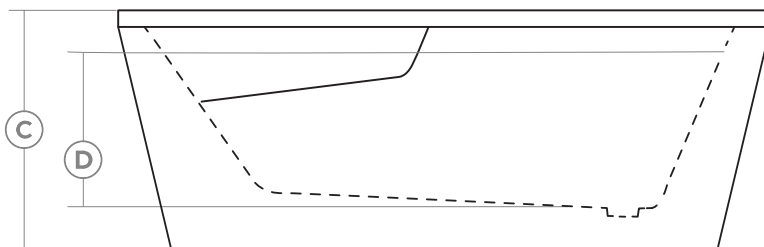
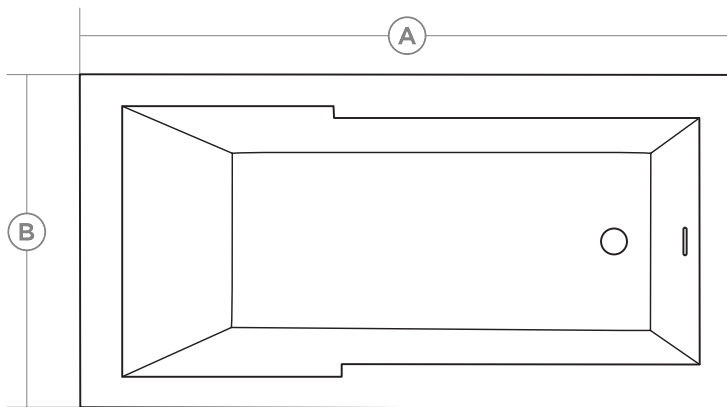
- Seamless one-piece design
- White or White with Black Skirt
- Gloss finish
- Slotted overflow
- Clicker style pop-up drain
- Flow through style drain
- Internal steel frame
- Adjustable legs

**Upgrades** (See pg. 3-12 for details)

- Chromatherapy
- Lateral Air
- Roughin EZ Drain
- 2 x ComfortWarm™
- VIBE Sound
- Aromatherapy
- Colored drain options available  
 (See pg. 8-9 in this section)



| A Length | B Width | C Height | D Immersion Depth |
|----------|---------|----------|-------------------|
| 66 7/8"  | 31 1/4" | 23 1/2"  | 14 7/8"           |



| A Length | B Width | C Height | D Immersion Depth |
|----------|---------|----------|-------------------|
| 59 7/8"  | 31 7/8" | 23 5/8"  | 15 3/4"           |

## Marlo

Part # 44343

### Features

- Two-piece design
- Slotted overflow
- Clicker style pop-up drain
- Deck mount faucet compatible
- Flow through style drain
- Internal steel frame
- Adjustable legs

### Upgrades (See pg. 3-12 for details)

- Chromatherapy
- Lateral Air
- Roughin EZ Drain
- ComfortWarm™
- VIBE Sound
- Aromatherapy
- Colored drain options available  
(See pg. 8-9 in this section)

**4 | Freestanding Baths**  
**Acrylic**



**Marseille**

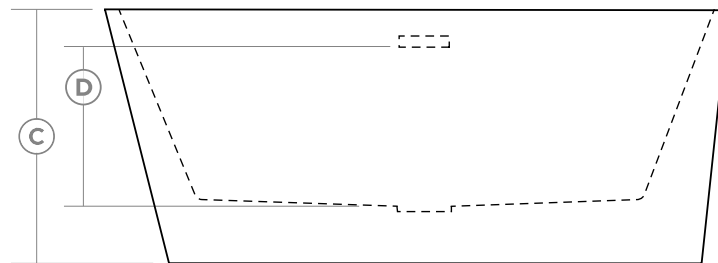
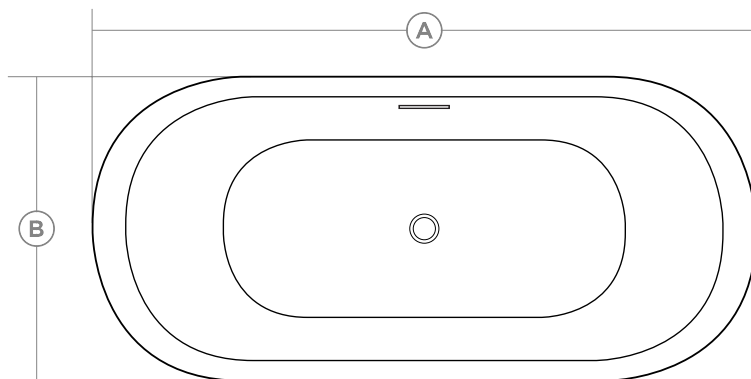
**Part #** 44351

**Features**

- Seamless one-piece design
- Slotted overflow
- Clicker style pop-up drain
- Flow through style drain
- Internal steel frame
- Adjustable legs

**Upgrades** (See pg. 3-12 for details)

- Chromatherapy
- Lateral Air
- Roughin EZ Drain
- 2 x ComfortWarm™
- VIBE Sound
- Aromatherapy
- Colored drain options available  
 (See pg. 8-9 in this section)



| <b>A</b> Length | <b>B</b> Width | <b>C</b> Height | <b>D</b> Immersion Depth |
|-----------------|----------------|-----------------|--------------------------|
| 62 5/8"         | 29 5/8"        | 22 1/2"         | 14 1/4"                  |



## Monaco

### Part #

54" - 44457

59" - 44459

44459-BLK

63" - 44460

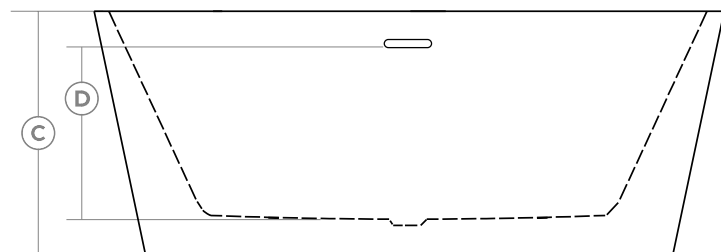
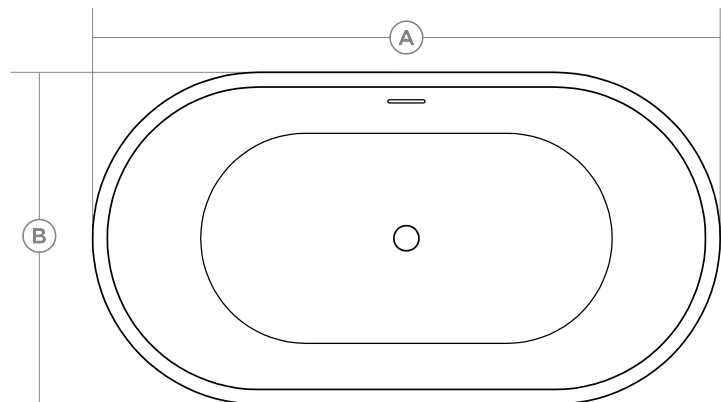
67" - 44462

### Features

- Seamless one-piece design
- Slotted overflow
- Clicker style pop-up drain
- Flow through style drain
- Internal steel frame
- Adjustable legs

### Upgrades (See pg. 3-12 for details)

- Roughin EZ Drain
- VIBE Sound
- Colored drain options available  
(See pg. 8-9 in this section)



| A Length | B Width | C Height | D Immersion Depth |
|----------|---------|----------|-------------------|
| 53 ¾"    | 31 ½"   | 23 ⅝"    | 15 ½"             |
| 59"      | 31 ½"   | 23 ⅝"    | 15 ¼"             |
| 63"      | 31 ⅜"   | 23 ⅝"    | 15 ⅞"             |
| 66 ⅞"    | 31 ½"   | 23 ⅝"    | 15 ½"             |



**4 | Freestanding Baths  
Acrylic**



**Olivia**

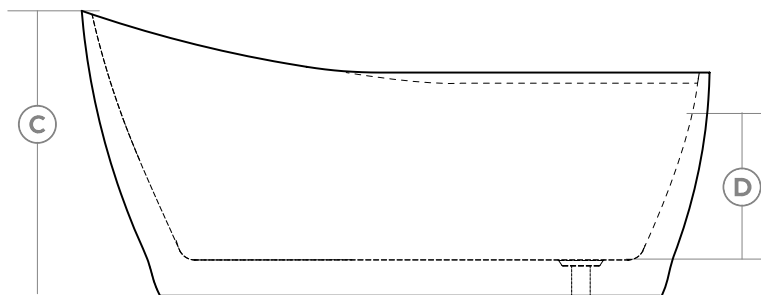
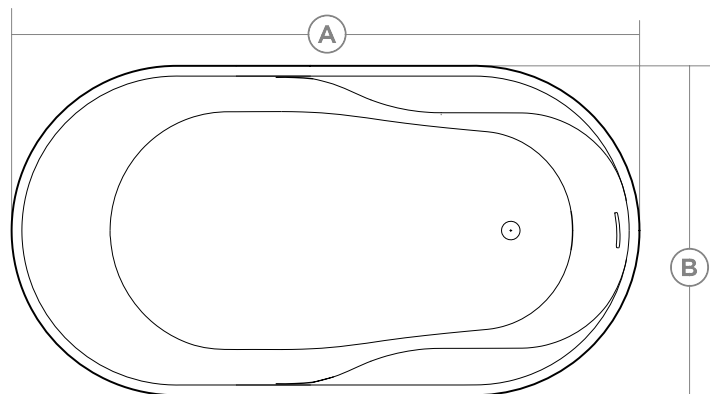
**Part #** 44329

**Features**

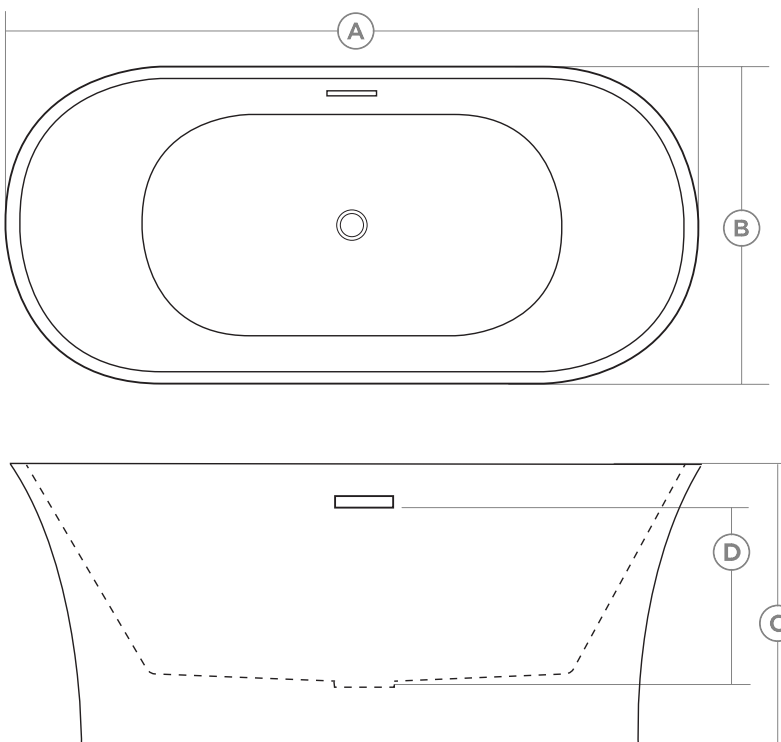
- Seamless one-piece design
- Slotted overflow
- Clicker style pop-up drain
- Deckmount faucet compatible
- Flow through style drain
- Internal steel frame
- Adjustable legs

**Upgrades** (See pg. 3-12 for details)

- Chromatherapy
- Lateral Air
- Roughin EZ Drain
- ComfortWarm™
- VIBE Sound
- Aromatherapy
- Colored drain options available  
(See pg. 8~9 in this section)



| <b>A</b> Length | <b>B</b> Width | <b>C</b> Height | <b>D</b> Immersion Depth |
|-----------------|----------------|-----------------|--------------------------|
| 60"             | 31 ½"          | 30"             | 15 ¾"                    |



| A Length | B Width | C Height | D Immersion Depth |
|----------|---------|----------|-------------------|
| 66 1/4"  | 31 1/2" | 23 5/8"  | 15"               |

## Penelope

Part # 44471

44471BLK

### Features

- Seamless one-piece design
- Slotted overflow
- Clicker style pop-up drain
- Flow through style drain
- Internal steel frame
- Adjustable legs

### Upgrades (See pg. 3-12 for details)

- Roughin EZ Drain
- 2 x ComfortWarm™
- VIBE Sound
- Colored drain options available  
(See pg. 8-9 in this section)

**4 | Freestanding Baths**  
**Acrylic**



**Renoir**

**Part #**

**59"** - 44313

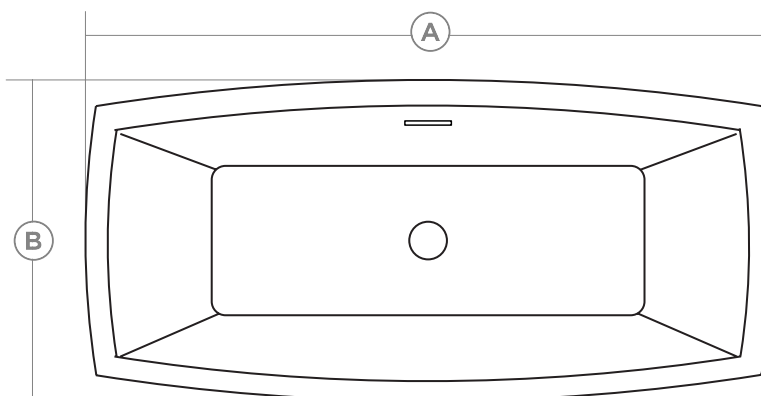
**67"** - 44315

**Features**

- Seamless one-piece design
- Slotted overflow
- Clicker style pop-up drain
- Flow through style drain
- Internal steel frame
- Adjustable legs

**Upgrades** (See pg. 3-12 for details)

- Chromatherapy
- Lateral Air
- Roughin EZ Drain
- 2 x ComfortWarm™
- VIBE Sound
- Aromatherapy
- Colored drain options available  
 (See pg. 8-9 in this section)



| <b>A</b> Length | <b>B</b> Width | <b>C</b> Height | <b>D</b> Immersion Depth |
|-----------------|----------------|-----------------|--------------------------|
| 59"             | 29 ½"          | 23 ½"           | 15 ⅝"                    |
| 67"             | 31 ⅞"          | 23 ½"           | 15 ⅝"                    |



## Sandor

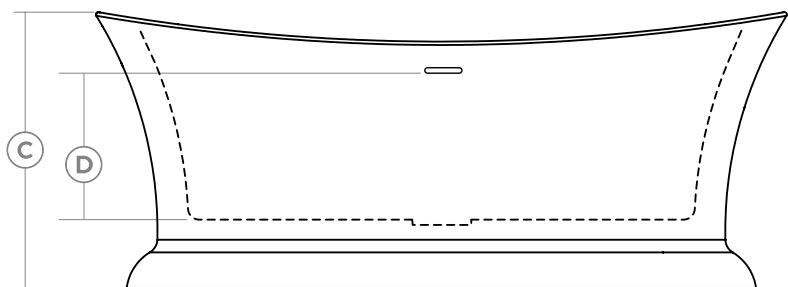
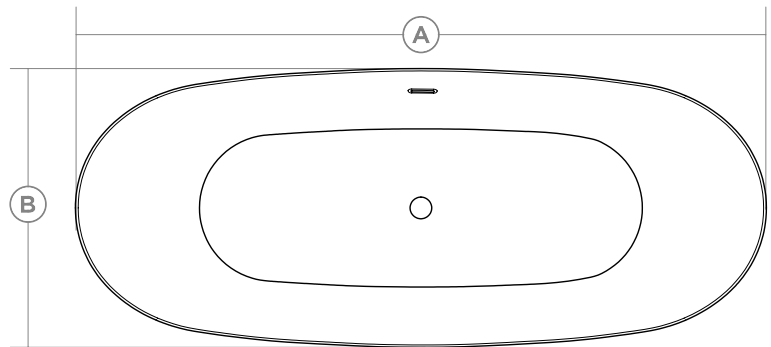
Part # 44337

### Features

- Seamless one-piece design
- Slotted overflow
- Clicker style pop-up drain
- Flow through style drain
- Internal steel frame
- Adjustable legs

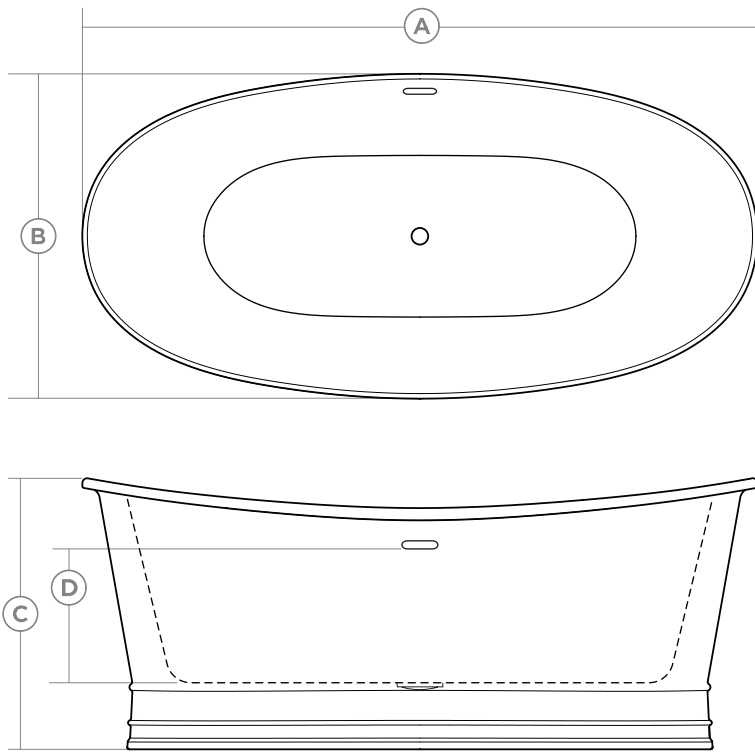
### Upgrades (See pg. 3-12 for details)

- Roughin EZ Drain
- VIBE Sound
- Colored drain options available  
(See pg. 8-9 in this section)



| A Length | B Width | C Height | D Immersion Depth |
|----------|---------|----------|-------------------|
| 68 ¾"    | 31"     | 27 ⅜"    | 14"               |

**4 | Freestanding Baths**  
**Acrylic**



**Sansa**

**Part #** 44327

**Features**

- Seamless one-piece design
- Slotted overflow
- Clicker style pop-up drain
- Flow through style drain
- Internal steel frame
- Adjustable legs

**Upgrades** (See pg. 3-12 for details)

- Roughin EZ Drain
  - VIBE Sound
  - Colored drain options available
- (See pg. 8-9 in this section)

| <b>A</b> Length | <b>B</b> Width | <b>C</b> Height | <b>D</b> Immersion Depth |
|-----------------|----------------|-----------------|--------------------------|
| 69"             | 31 1/8"        | 27"             | 14"                      |



## Sherin

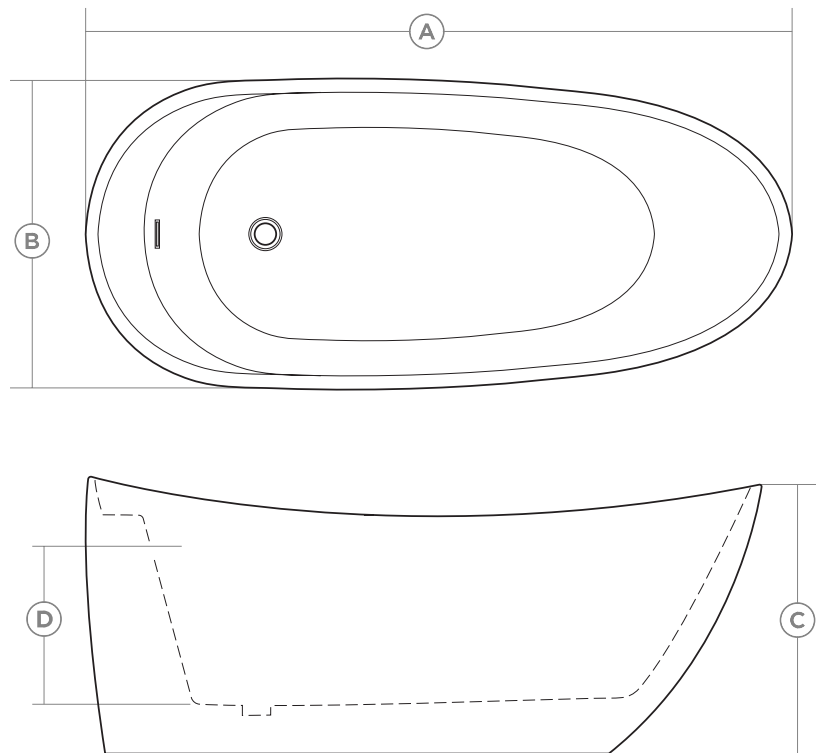
Part # 44333

### Features

- Seamless one-piece design
- Slotted overflow
- Deck mount faucet compatible
- Clicker style pop-up drain
- Flow through style drain
- Internal steel frame
- Adjustable legs

### Upgrades (See pg. 3-12 for details)

- Roughin EZ Drain
- ComfortWarm™
- VIBE Sound
- Colored drain options available  
(See pg. 8-9 in this section)



| A Length | B Width | C Height | D Immersion Depth |
|----------|---------|----------|-------------------|
| 67"      | 29 ½"   | 27 ½"    | 16"               |

**4 | Freestanding Baths**  
**Acrylic**



**Theo**

**Part #**

**White Skirt** - 44377

**Gold Skirt** - 44377-06

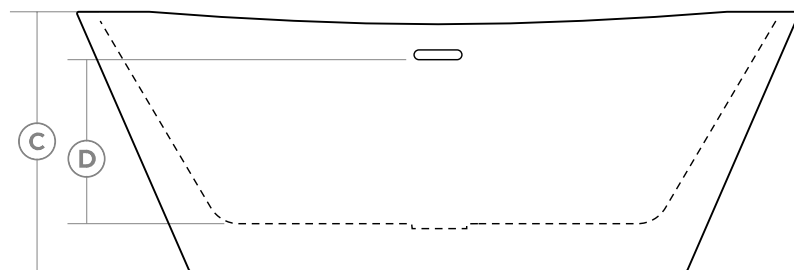
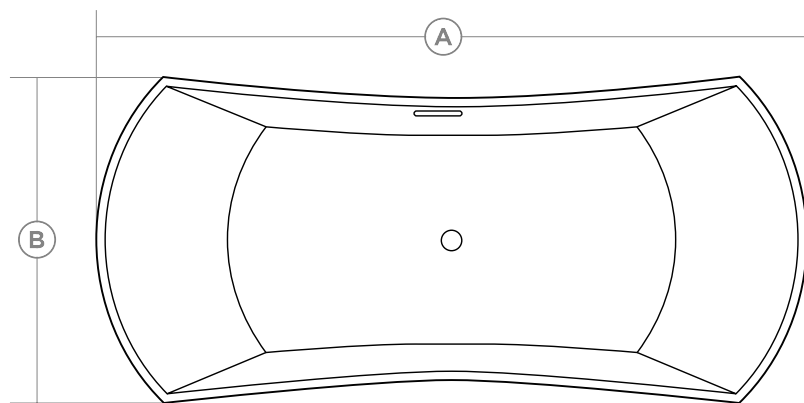
**Silver Skirt** - 44377-05

**Features**

- Seamless one-piece design
- White / Gold / Silver finish
- Slotted overflow
- Clicker style pop-up drain
- Flow through style drain
- Internal steel frame
- Adjustable legs

**Upgrades** (See pg. 3-12 for details)

- Roughin EZ Drain
- 2 x ComfortWarm™
- VIBE Sound
- Colored drain options available  
 (See pg. 8-9 in this section)



| <b>A</b> Length | <b>B</b> Width | <b>C</b> Height | <b>D</b> Immersion Depth |
|-----------------|----------------|-----------------|--------------------------|
| 68 ½"           | 31 ½"          | 26 ¾"           | 15 ¾"                    |





**4 | Freestanding Baths  
Acrylic**



**Toulon**

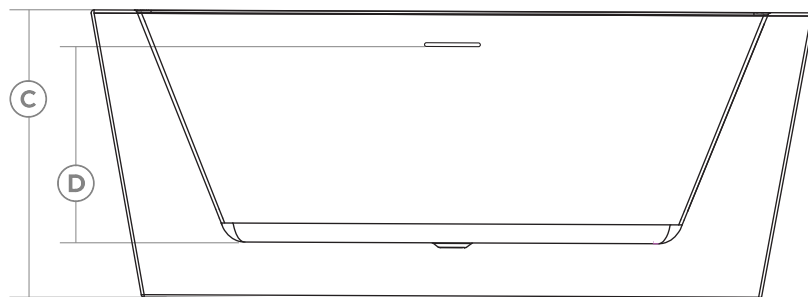
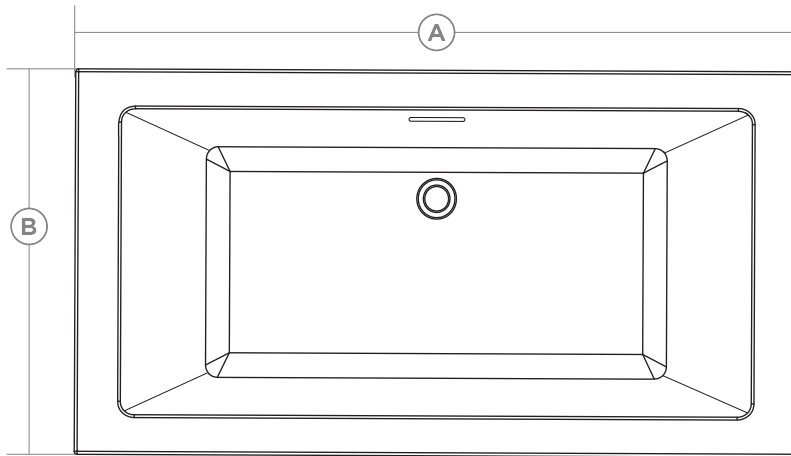
**Part #** 44466

**Features**

- Seamless one-piece design
- Slotted overflow
- Clicker style pop-up drain
- Deck mount faucet compatible
- Flow through style drain
- Internal steel frame
- Adjustable legs

**Upgrades** (See pg. 3-12 for details)

- Roughin EZ Drain
- 2 x ComfortWarm™
- VIBE Sound
- Colored drain options available  
(See pg. 8-9 in this section)



| <b>A</b> Length | <b>B</b> Width | <b>C</b> Height | <b>D</b> Immersion Depth |
|-----------------|----------------|-----------------|--------------------------|
| 59"             | 31 1/2"        | 23 5/8"         | 16"                      |



## Tours

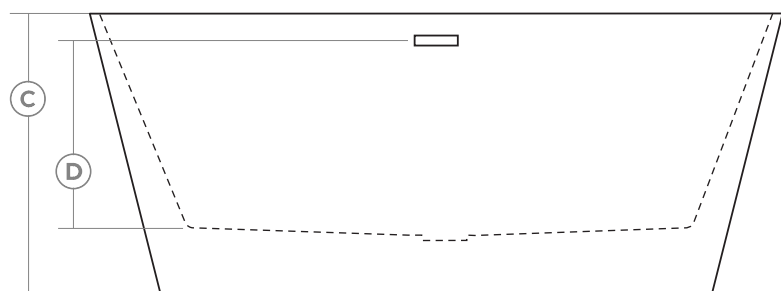
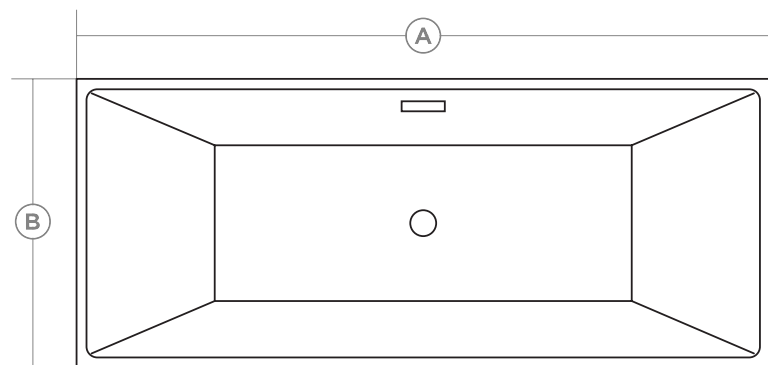
Part # 44322

### Features

- Seamless one-piece design
- Slotted overflow
- Clicker style pop-up drain
- Flow through style drain
- Internal steel frame
- Adjustable legs

### Upgrades (See pg. 3-12 for details)

- Roughin EZ Drain
- 2 x ComfortWarm™
- VIBE Sound
- Colored drain options available  
(See pg. 8-9 in this section)



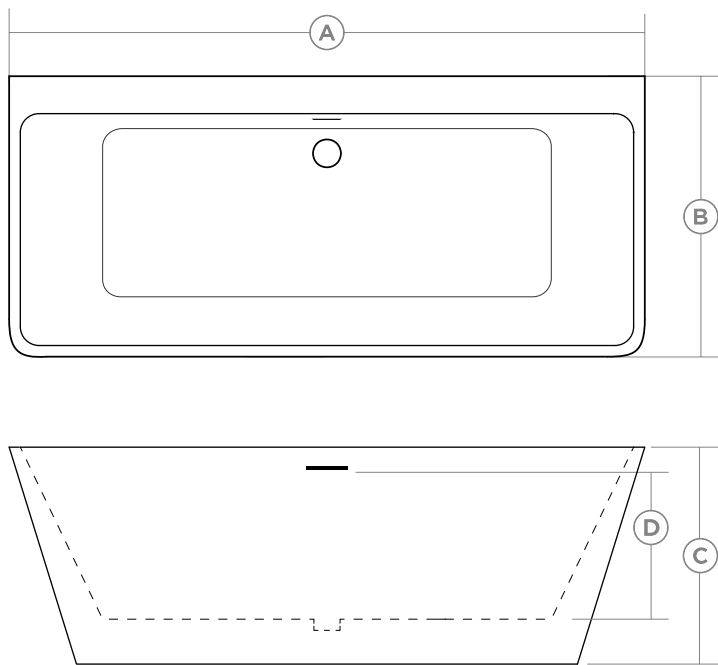
| A Length | B Width | C Height | D Immersion Depth |
|----------|---------|----------|-------------------|
| 66 ¾"    | 31 ½"   | 23 ¼"    | 16"               |

**4 | Freestanding Baths**  
**Acrylic**



**Vanessa**

**Part #** 44335.1



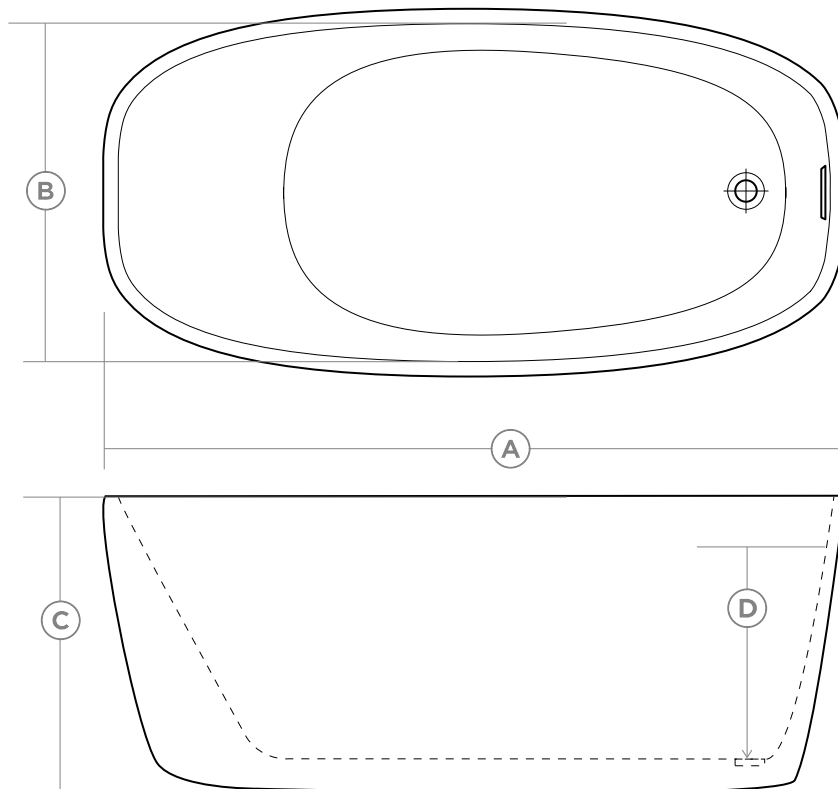
**Features**

- Seamless one-piece design
- Slotted overflow
- Clicker style pop-up drain
- Flow through style drain
- Internal steel frame
- Adjustable legs
- Deckmount faucet compatible
- Tiling flange included

**Upgrades** (See pg. 2-9 for details)

- Chromatherapy
- Roughin EZ Drain
- 2 x ComfortWarm™
- VIBE Sound
- Aromatherapy
- Colored drain options available  
 (See pg. 8-9 in this section)

| <b>A</b> Length | <b>B</b> Width | <b>C</b> Height | <b>D</b> Immersion Depth |
|-----------------|----------------|-----------------|--------------------------|
| 59"             | 29 5/8"        | 22 7/8"         | 15 1/4"                  |



| A Length | B Width | C Height | D Immersion Depth |
|----------|---------|----------|-------------------|
| 59 1/4"  | 29 5/8" | 23 5/8"  | 16 1/2"           |

## Zaria

Part #44380

### Features

- Seamless one-piece design
- Slotted overflow
- Clicker style pop-up drain
- Flow through style drain
- Internal steel frame
- Adjustable legs

### Upgrades (See pg. 3-12 for details)

- Roughin EZ Drain
- VIBE Sound
- Colored drain options available  
(See pg. 8-9 in this section)

**4 | Freestanding Baths**  
**Cast Iron**



**Kraken**

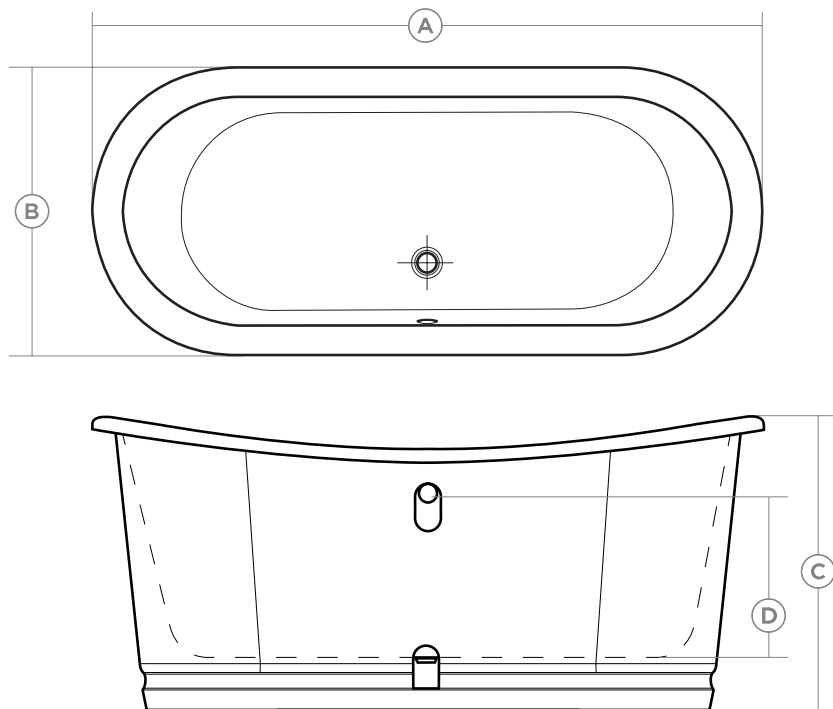
**Part #48042**

**Features**

- Double ended bathing well
- White finish
- Cast Iron interior
- Centre drain
- Hand rolled skirt accent

**Upgrades**

- Roughin EZ Drain  
(See page 7 in this section)
- W&O sold separately  
(See page 10 in this section)



| <b>A</b> Length | <b>B</b> Width | <b>C</b> Height | <b>D</b> Immersion Depth |
|-----------------|----------------|-----------------|--------------------------|
| 66"             | 28"            | 29"             | 14"                      |



## Lusca

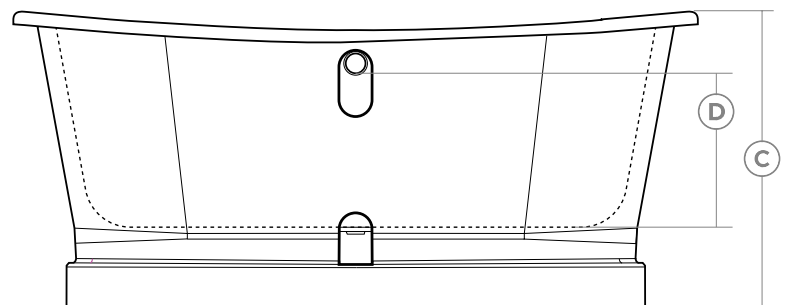
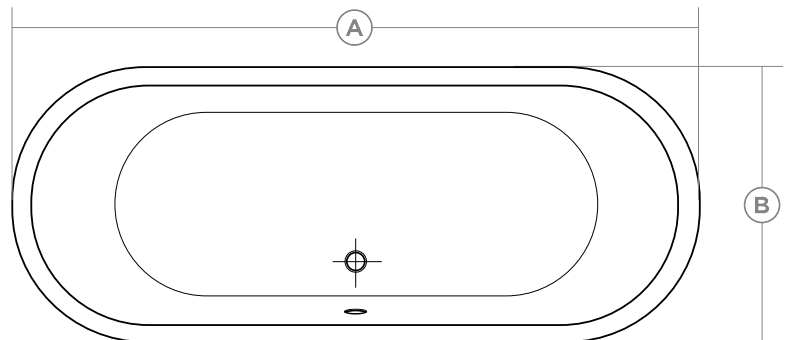
Part # 48040

### Features

- Double ended bathing well
- Cast Iron interior
- Bateau style skirt detail
- Multiple skirt choices available

### Upgrades

- Roughin EZ Drain  
(See page 7 in this section)
- W&O sold separately  
(See page 10 in this section)



| A Length | B Width | C Height | D Immersion Depth |
|----------|---------|----------|-------------------|
| 67"      | 26 ½"   | 28"      | 14 ¼"             |

## Lusca Satin

---

Part # 48040-02

---

### Upgrades

- Roughin EZ Drain  
(See page 7 in this section)
- W&O sold separately  
(See page 10 in this section)

## Lusca Black

---

Part # 48040-05

---

### Upgrades

- Roughin EZ Drain  
(See page 7 in this section)
- W&O sold separately  
(See page 10 in this section)

## Lusca Mirror

---

Part # 48040-08

---

### Upgrades

- Roughin EZ Drain  
(See page 7 in this section)
- W&O sold separately  
(See page 10 in this section)





## Makara

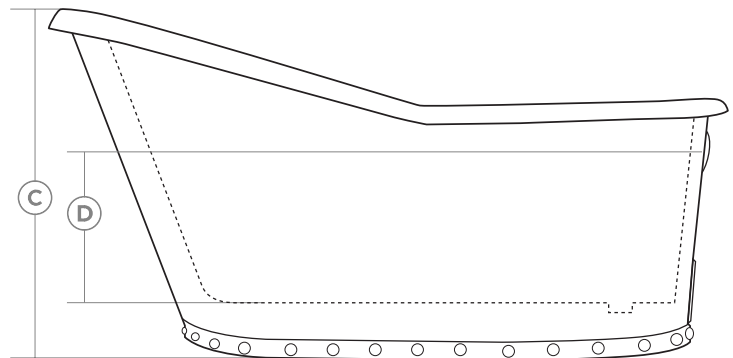
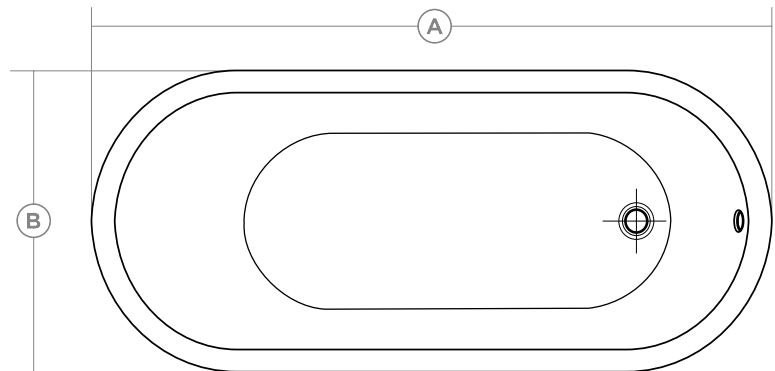
**Part #** 48025

### Features

- Slipper design with end drain
- Cast Iron interior
- End drain
- High-gloss painted steel skirt
- Riveted trim accent

### Upgrades

- Roughin EZ Drain  
(See page 7 in this section)
- W&O sold separately  
(See page 10 in this section)



| <b>A</b> Length | <b>B</b> Width | <b>C</b> Height | <b>D</b> Immersion Depth |
|-----------------|----------------|-----------------|--------------------------|
| 66 7/8"         | 30"            | 32"             | 15"                      |



**4 | Freestanding Baths  
Composite**



**Aida**

**Part #**

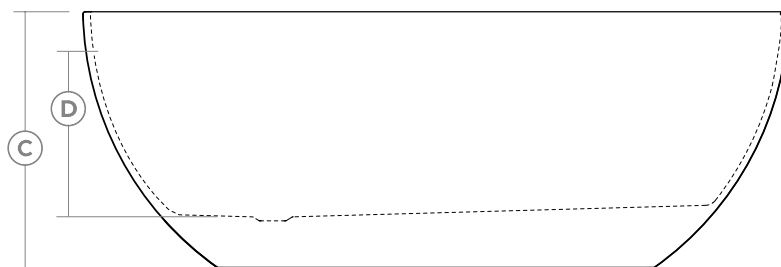
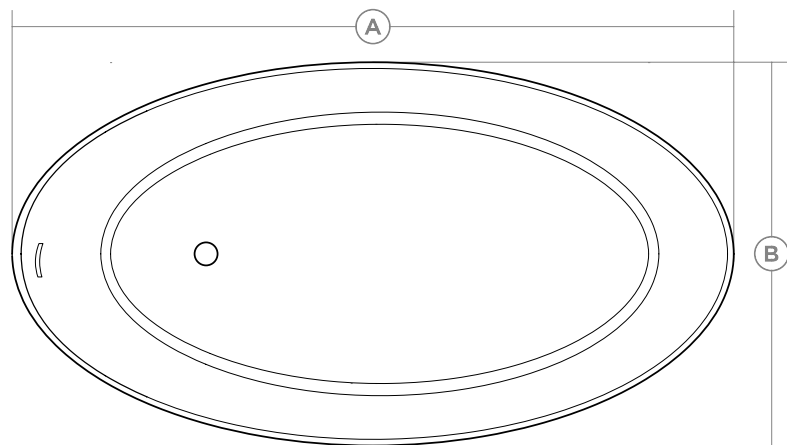
46520

**Features**

- Matte finish
- Cast composite acrylic
- End drain
- Deep bathing well
- Includes color matching clicker drain

**Upgrades** (See pg. 7 for details)

- Roughin EZ Drain



| A Length | B Width | C Height | D Immersion Depth |
|----------|---------|----------|-------------------|
| 63"      | 34"     | 22 7/8"  | 16"               |



## Delfina

**Part #**

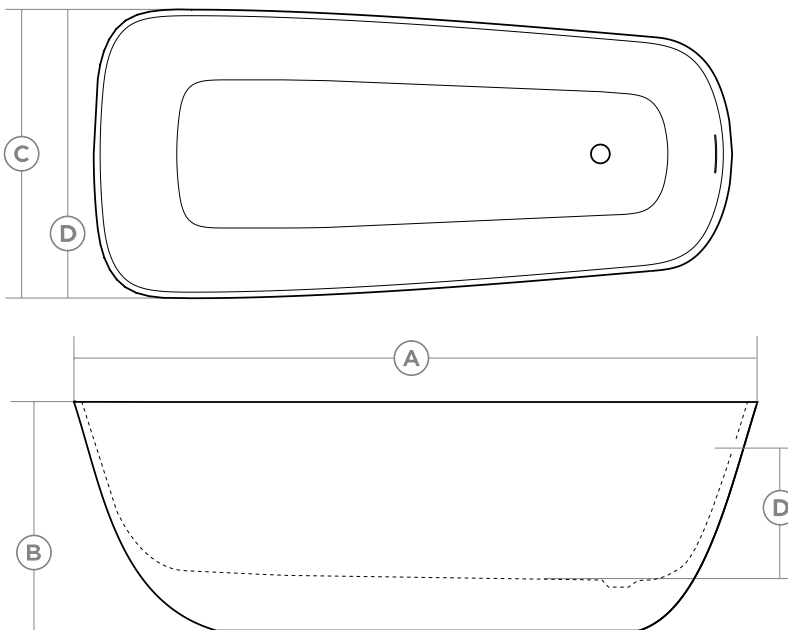
46522

**Features**

- Matte finish
- Cast composite acrylic
- End drain
- Deep bathing well
- Includes color matching clicker drain

**Upgrades** (See p. 7 for details)

- Roughin EZ Drain



| A Length | B Width | C Height | D Immersion Depth |
|----------|---------|----------|-------------------|
| 66 5/8"  | 30 1/4" | 21"      | 17"               |

**4 | Freestanding Baths  
Composite**



**Gauguin**

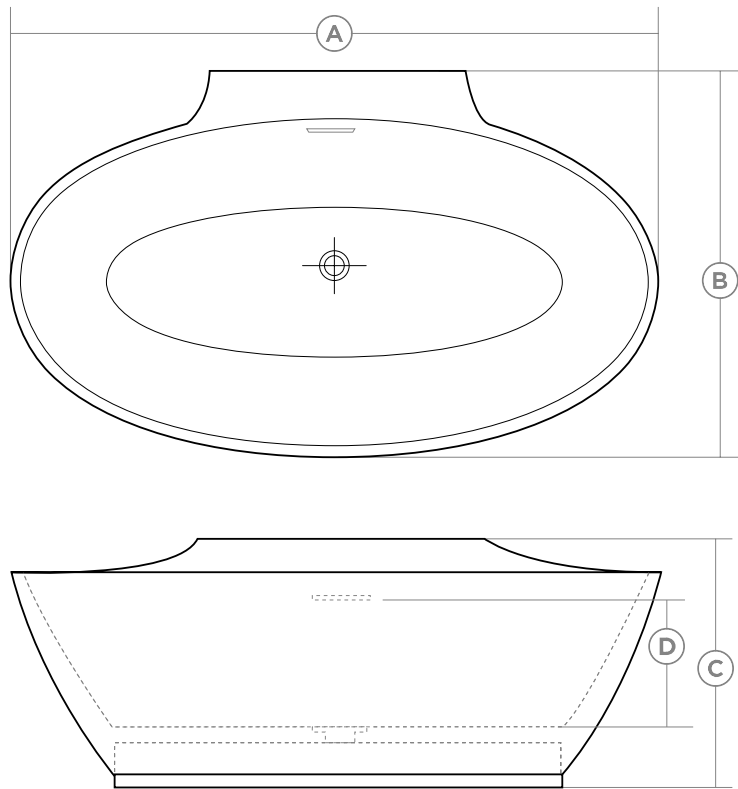
**Part #** 46512

**Features**

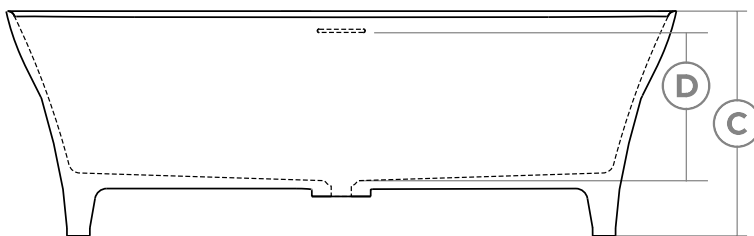
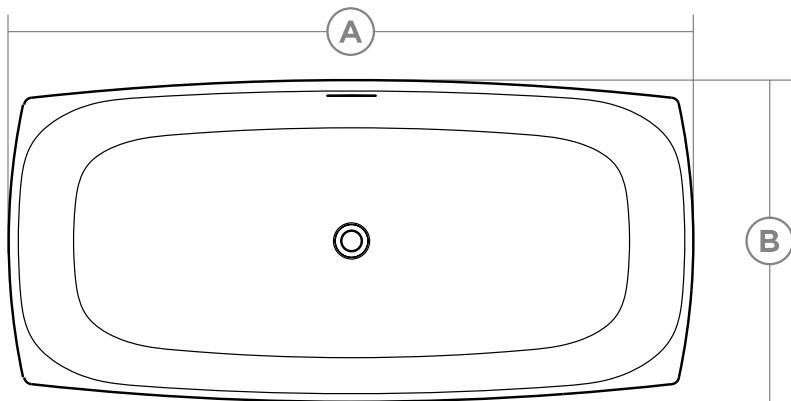
- Matte finish
- Cast composite acrylic
- End drain
- Deep bathing well
- Includes color matching clicker drain

**Upgrades** (See p. 7 for details)

- Roughin EZ Drain



| <b>A</b> Length | <b>B</b> Width | <b>C</b> Height | <b>D</b> Immersion Depth |
|-----------------|----------------|-----------------|--------------------------|
| 68"             | 40 1/2"        | 25 3/4"         | 13"                      |



## Juliet

Part # 46521

### Features

- Matte finish
- Cast composite acrylic
- Centre drain
- Deep bathing well
- Includes color matching clicker drain

### Upgrades (See p. 7 for details)

- Roughin EZ Drain

| A Length | B Width | C Height | D Immersion Depth |
|----------|---------|----------|-------------------|
| 67 ¼"    | 31 ¼"   | 22 ½"    | 15"               |

**4 | Freestanding Baths  
Composite**



**Justina**

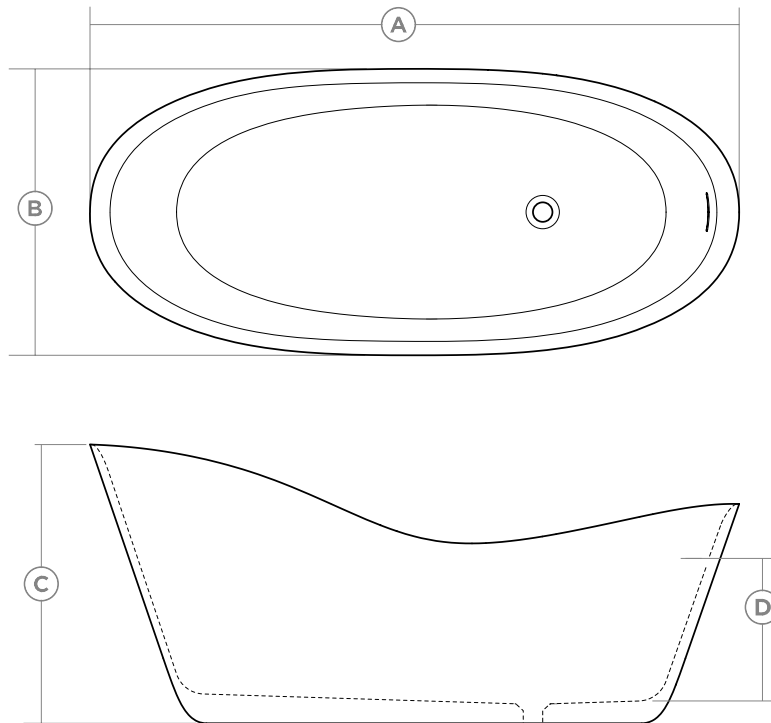
**Part #** 46524

**Features**

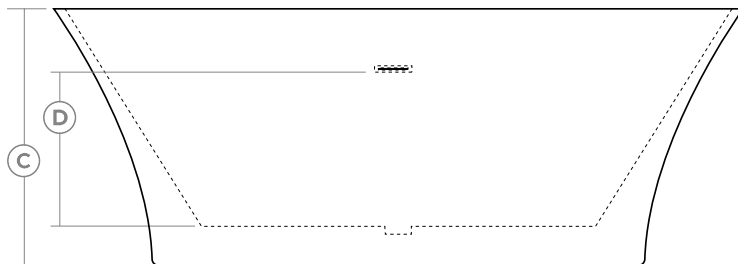
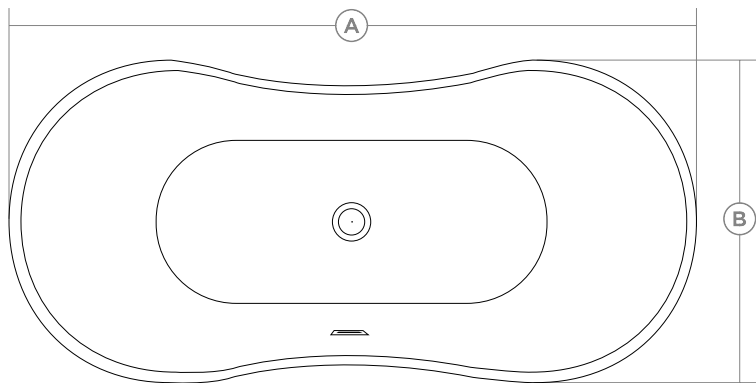
- Matte finish
- Cast composite acrylic
- End drain
- Deep bathing well
- Includes color matching clicker drain

**Upgrades** (See p. 7 for details)

- Roughin EZ Drain



| <b>A</b> Length | <b>B</b> Width | <b>C</b> Height | <b>D</b> Immersion Depth |
|-----------------|----------------|-----------------|--------------------------|
| 66 ½"           | 29 ¾"          | 28 ¾"           | 15"                      |



## Palermo

Part # 46507

### Features

- Gloss finish
- Cast composite acrylic
- Centre drain
- Deep bathing well
- Includes color matching clicker drain

### Upgrades (See p. 7 for details)

- Roughin EZ Drain

| A Length | B Width | C Height | D Immersion Depth |
|----------|---------|----------|-------------------|
| 63 3/8"  | 28"     | 22 1/4"  | 15"               |

**4 | Freestanding Baths  
Composite**



**Poeta**

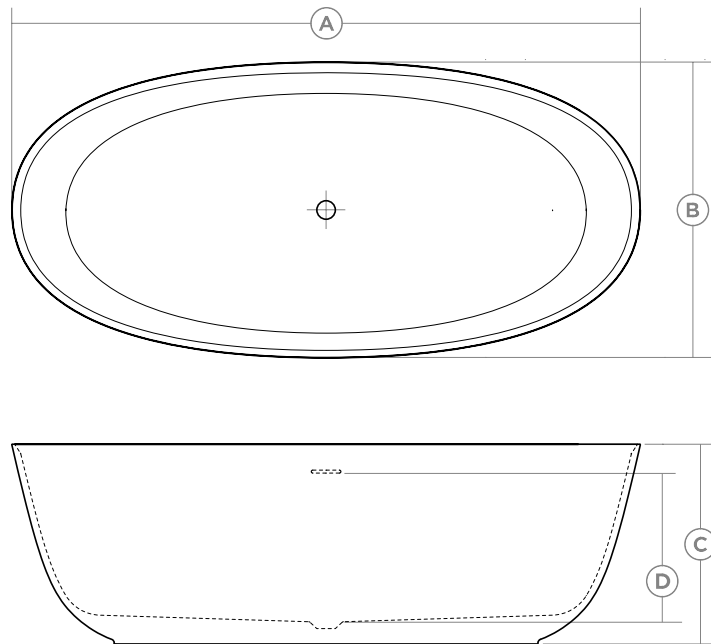
**Part #** 46523

**Features**

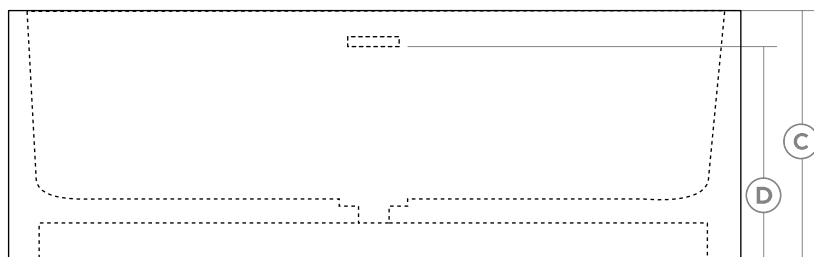
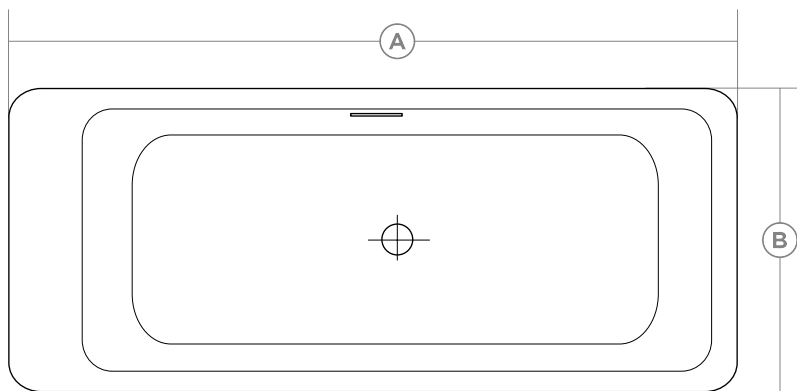
- Matte finish
- Cast composite acrylic
- Centre drain
- Deep bathing well
- Includes color matching clicker drain

**Upgrades** (See p. 7 for details)

- Roughin EZ Drain



| <b>A</b> Length | <b>B</b> Width | <b>C</b> Height | <b>D</b> Immersion Depth |
|-----------------|----------------|-----------------|--------------------------|
| 67 ½"           | 31 ½"          | 21 ¼"           | 16 ½"                    |



## Sicilian

Part # 46513

### Features

- Gloss finish
- Cast composite acrylic
- Centre drain
- Deep bathing well
- Includes color matching clicker drain

### Upgrades (See p. 7 for details)

- Roughin EZ Drain

| A Length | B Width | C Height | D Immersion Depth |
|----------|---------|----------|-------------------|
| 70 ¾"    | 31 ½"   | 21 ½"    | 14"               |





# Semi-Freestanding Bath Quick Reference

---

## Upgrades & Accessories

---

### Acrylic

|                             |     |                                   |   |
|-----------------------------|-----|-----------------------------------|---|
| Upgrade Compatibility ..... | 3   | Accessories & Compatibility ..... | 5 |
| Upgrade Options.....        | 3~4 |                                   |   |

### Acrylic

| 59"         | Dimensions              | Part # | Page |
|-------------|-------------------------|--------|------|
| Milla LH    | 59" x 30 3/4" x 23 5/8" | 44605  | 8    |
| Milla RH    | 59" x 30 3/4" x 23 5/8" | 44606  | 8    |
| Niche LH    | 59 1/4" x 32 1/4" x 23" | 44601  | 9    |
| Niche RH    | 59 1/4" x 32 1/4" x 23" | 44602  | 9    |
| Rochelle 59 | 59" x 31 1/2" x 23 1/4" | 44275  | 10   |
| Vanessa     | 59" x 29 5/8" x 22 7/8" | 44335  | 11   |
| 66" +       | Dimensions              | Part # | Page |
| Fiona       | 66" x 31 1/2" x 23 5/8" | 44282  | 7    |
| Rochelle 67 | 67" x 31 1/2" x 23 1/4" | 44276  | 10   |

## Semi-Freestanding Bath Upgrades

---

### Chromatherapy

Immerse yourself within a sea of light created by a dual mini-light Chromatherapy system. Bathers can choose between red, orange, yellow, green, blue, turquoise, and magenta, or cycle through a range of 9 blended colours. Combine Chromatherapy with a massage system to create a total spa experience.

---

### Lateral Air

16 jets mounted around the perimeter of the bathing well infuse the water with a soothing stream of massaging bubbles. A ceramic heating core preheats the air as a 600-Watt Panasonic™ blower delivers a steady stream of warm air bubbles to the bather. Use the variable speed control pad to vary the intensity of the massage to your mood.

Enjoy peace of mind in knowing that all blowers are preprogrammed with an auto-drying cycle to clean and dry the system after every use.

---

### HydroMassage

The hydromassage is the most vigorous of all available upgrades, featuring a  $\frac{3}{4}$  hp high efficiency pump. Bath water circulates through 6 or more adjustable jets to deliver targeted massaging action with variable levels of intensity. Upgrade this massage system by adding additional jets or adding an in-line heater to help maintain your bath's water temperature.

---

### ComfortWarm™

ComfortWarm™ uses radiant heat technology to directly heat the surface of the bathtub's back-rest. Use the three heat settings to adjust the heat intensity at any time with a simple press of the electronic touchpad.

---

### VIBE Sound

The Vibe System allows you to enjoy your music or radio at the touch of a button in your shower or bathtub. The vibes of the music are synchronized with a Chromatherapy system that will change colors in synch with every beat of your favorite music.

---

### Aromatherapy

Only a few drops of fragrance are needed. The system works using a pump which leads the air towards the receptacle which is filled with a combination of water and a few essential oil drops. Once the aromatherapy system is turned on, the diffuser spreads the natural scent of the essential oil into the ambient air.

---

## Semi-Freestanding Acrylic Bath Upgrade Compatibility

| Products | ComfortWarm™ | Roughin EZ | Chromatherapy | Lateral Air | VIBE Sound | Aromatherapy |
|----------|--------------|------------|---------------|-------------|------------|--------------|
| Fiona    | x2           | +          | +             | +           | I or II    | +            |
| Milla    | x1           | +          | +             | n/a         | I or II    | +            |
| Niche    | x1           | +          | +             | +           | I or II    | +            |
| Rochelle | x2           | +          | +             | +           | I or II    | +            |
| Vanessa  | x2           | +          | +             | +           | I or II    | +            |

\* n/a = not available \* + = available

\*VIBE Sound I = Keypad, VIBE Sound II = Remote Control

Please note for putting together multiple upgrades contact Acritec Customer Service at [customerservice@acritec.com](mailto:customerservice@acritec.com).

## Semi-Freestanding Acrylic Bath Upgrade Options

### Lateral Air

#### 16 Jet Air System

|  |              |
|--|--------------|
| - White  | 00021        |
| - Brushed Nickel   | 00023        |
| - Polished Chrome  | 00024        |
| - Remote control for air blower                                  | 00133        |
| - Remote Location kit for air blower<br>(12' extra cable & hose) | 00131        |
| Sound Deadening Pump Pad   | 00160        |
| Variable Air Blower (Replacement)                                | 00180        |
| <b>Custom Jet System</b>   | <b>00155</b> |



## Semi-Freestanding Acrylic Bath Upgrade Options

| Chromatherapy Lights | Part # |
|----------------------|--------|
| 2 x White Finish     | 01020  |
| 2 x Chrome Finish    | 01021  |



### VIBE Sound System

| VIBE I + Chromatherapy Lights   | Part # |
|---|--------|
| 2x Speakers + 2x Chromatherapy Lights ( <b>White Finish</b> ) + <b>Advanced Keypad</b>  | 01022  |
| 2x Speakers + 2x Chromatherapy Lights ( <b>Chrome Finish</b> ) + <b>Advanced Keypad</b> | 01023  |



### VIBE II + Chromatherapy Lights (For Most Freestanding Tubs)

|  |       |
|--|-------|
| 2x Speakers + 2x Chromatherapy Lights ( <b>White Finish</b> ) + <b>Remote Control</b>  | 01024 |
| 2x Speakers + 2x Chromatherapy Lights ( <b>Chrome Finish</b> ) + <b>Remote Control</b> | 01025 |



### Aromatherapy System

|                          |       |
|--------------------------|-------|
| Diffuser System + Keypad | 01030 |
|--------------------------|-------|

### ComfortWarm™

| ComfortWarm™                             | Part #   |
|--|----------|
| 1x ComfortWarm™ Heated Backrest (70W)    | 01040-01 |
| 2x ComfortWarm™ Heated Backrests (2x35W) | 01040-02 |

### Roughin EZ

|                             |       |
|-----------------------------|-------|
| Easy installation drain kit | 01086 |
|-----------------------------|-------|

### Roughin EZ

The Roughin EZ Drain provides an easy way to install a free standing bathtub. Kit includes a reusable test plug, twist lock coupling, brass tailpiece, nut and flat washer.



## Semi-Freestanding Acrylic Bath Accessories

| <b>Popup Drain +<br/>Overflow Cover Plate</b> | Part # |
|---|--------|
| Polished Chrome                               | 01085  |
| Brushed Nickel                                | 01080  |
| Matte Black                                   | 01084  |
| Oil Rubbed Bronze                             | 01079  |
| Polished Gold                                 | 01078  |

\*Overflow cover plate for upgraded finishes need to be factory installed.



| <b>Popup Drain Only</b><br>(for slotted semi-free-standing tubs) | Part # |
|--|--------|
| Polished Chrome  | 01089  |
| Brushed Nickel   | 01091  |
| Matte Black  | 01092  |
| Oil Rubbed Bronze  | 01093  |
| Polished Gold  | 01094  |
| White  | 01095  |
| Brass Assembly   | 01098  |
| Drain Stopper<br>(Replacement)                                   | 01099  |



## Semi-Freestanding Acrylic Bath Accessories Compatibility

| Products | Upgraded Finishes |                |       |                   |      |
|----------|-------------------|----------------|-------|-------------------|------|
|          | Chrome            | Brushed Nickel | Black | Oil Rubbed Bronze | Gold |
| Fiona    | +                 | +              | +     | +                 | +    |
| Milla    | +                 | +              | +     | +                 | +    |
| Niche    | +                 | +              | +     | +                 | +    |
| Rochelle | +                 | +              | +     | +                 | +    |
| Vanessa  | +                 | +              | +     | +                 | +    |

\* n/a = not available \* + = available



## 08010

Pillow | Contoured | Compatible with all Acritec baths

---

**Dimensions**

11  $\frac{7}{8}$ " x 4  $\frac{3}{8}$ "

---

**Colour**

Black

---



## 08012

Pillow | Premium | Compatible with all Acritec baths

---

**Dimensions**

11  $\frac{1}{2}$ " x 6  $\frac{1}{2}$ "

---

**Colour**

Black

---



## 08014

Pillow | Contoured | For baths with rounded backrests

---

**Dimensions**

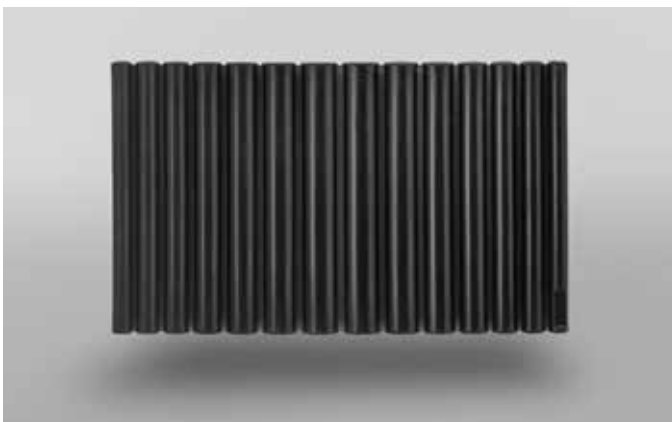
11  $\frac{1}{2}$ " x 3  $\frac{1}{8}$ "

---

**Colour**

Black

---



## 08016

Pillow | Premium | Compatible with all Acritec baths

---

**Dimensions**

15  $\frac{3}{4}$ " x 10  $\frac{1}{4}$ "

---

**Colour**

Black

---



## Fiona

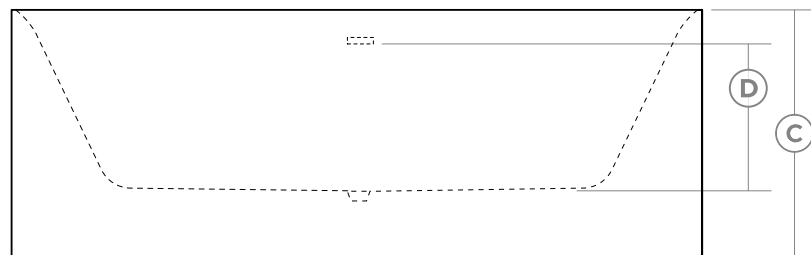
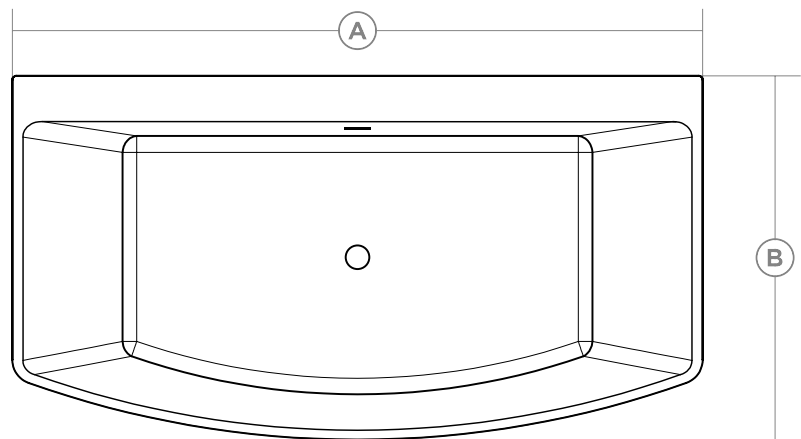
Part # 44282

### Features

- Seamless one-piece design
- Slotted overflow
- Includes tiling flange not installed
- Clicker style pop-up drain
- Flow through style drain
- Internal steel frame
- Adjustable legs
- Deck mount compatible

### Upgrades (See pg. 2-6 for details)

- Chromatherapy
- Lateral Air
- Roughin EZ Drain
- 2 x ComfortWarm™
- VIBE Sound
- Aromatherapy
- Colored drain options available  
(See pg. 5 in this section)



| A Length | B Width | C Height | D Immersion Depth |
|----------|---------|----------|-------------------|
| 66"      | 31 1/2" | 23 5/8"  | 14 3/8"           |

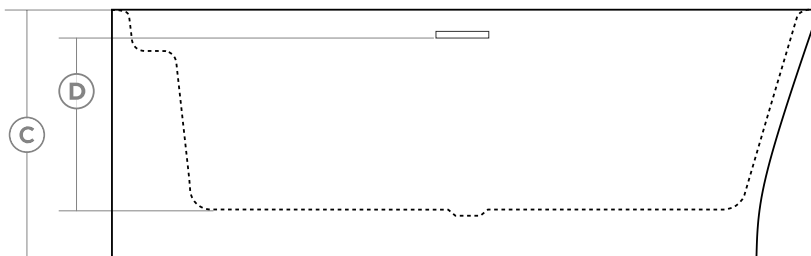
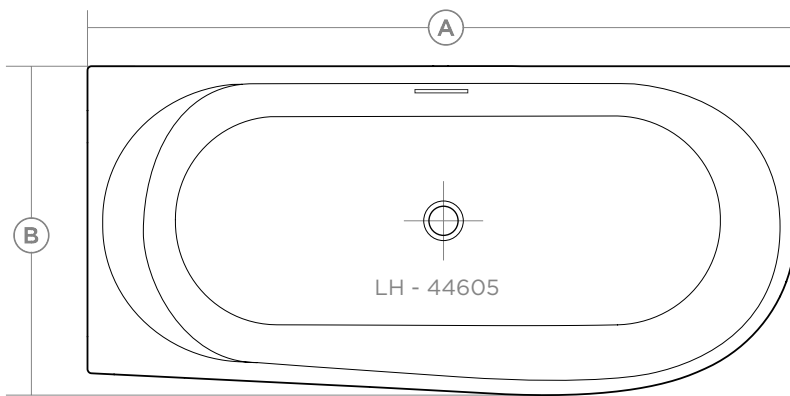
**Recommended:** if the Semi- freestanding tub is going against the wall, the tub to be installed with the supplied tiling flange.



RH 44606



ACRYLIC



## Milla

**Part #**

LH - 44605

RH - 44606

**Features**

- Seamless one-piece design
- Slotted overflow
- Designed for corner installations
- Includes tiling flange not installed
- Clicker style pop-up drain
- Flow through style drain
- Internal steel frame
- Adjustable legs

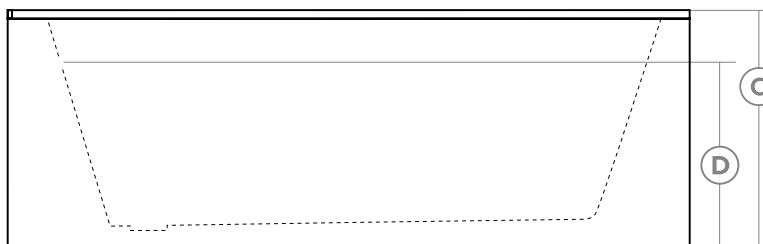
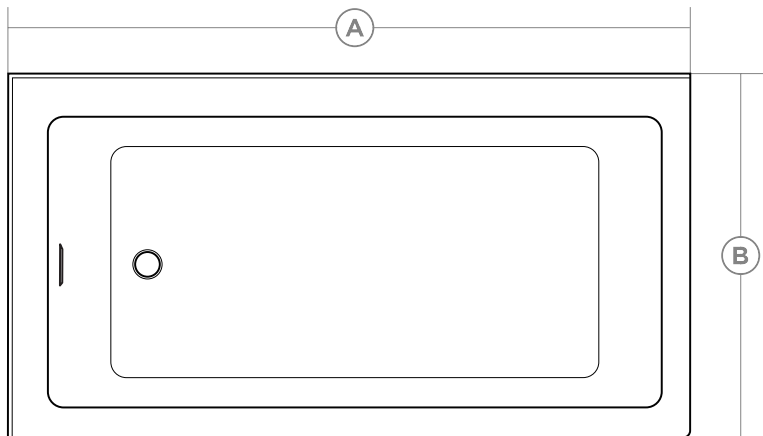
**Upgrades** (See pg. 2-6 for details)

- Chromatherapy
- Roughin EZ Drain
- VIBE Sound
- Aromatherapy
- Colored drain options available (See pg. 5 in this section)

| A Length | B Width | C Height | D Immersion Depth |
|----------|---------|----------|-------------------|
| 59"      | 30 3/4" | 23 5/8"  | 15 1/2"           |

**Recommended:** if the Semi- freestanding tub is going against the wall, the tub to be installed with the supplied tiling flange.

LH 44601



| A Length | B Width | C Height | D Immersion Depth |
|----------|---------|----------|-------------------|
| 59 ¼"    | 32 ¼"   | 23"      | 15 ½"             |

## Niche

### Part #

LH - 44601

RH - 44602

### Features

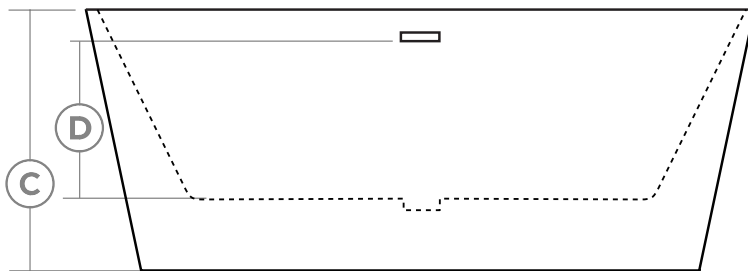
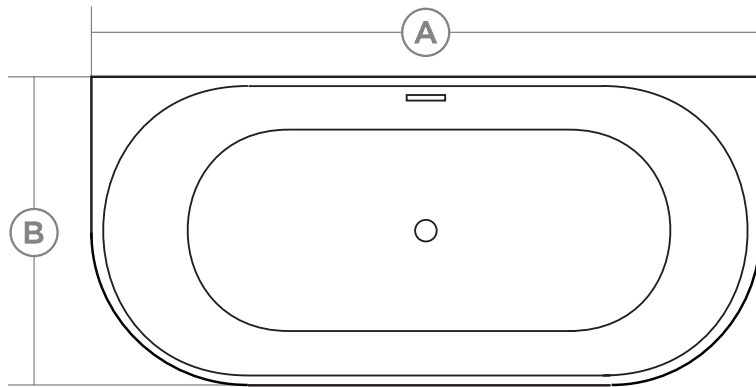
- Seamless one-piece design
- Overflow plate included
- Designed for corner installations
- Includes tiling flange not installed
- Clicker style pop-up drain
- Flow through style drain
- Internal steel frame
- Adjustable legs

### Upgrades (See pg. 2-6 for details)

- Chromatherapy
- Lateral Air
- Roughin EZ Drain
- ComfortWarm™
- VIBE Sound
- Aromatherapy
- Colored drain options available (See pg. 5 in this section)

**Recommended:** if the Semi- freestanding tub is going against the wall, the tub to be installed with the supplied tiling flange.

5 | Semi-Freestanding Baths



| A Length | B Width | C Height | D Immersion Depth |
|----------|---------|----------|-------------------|
| 59"      | 31 1/2" | 23 1/4"  | 15 7/8"           |
| 66 7/8"  | 31 1/2" | 23 1/4"  | 15 7/8"           |

**Recommended:** if the Semi- freestanding tub is going against the wall, the tub to be installed with the supplied tiling flange.

## Rochelle

**Part #**

**59"** - 44275

**67"** - 44276

**Features**

- Seamless one-piece design
- Slotted overflow
- Includes tiling flange not installed
- Finished on all sides
- Clicker style pop-up drain
- Flow through style drain
- Internal steel frame
- Adjustable legs

**Upgrades** (See pg. 2-6 for details)

- Chromatherapy
- Lateral Air
- Roughin EZ Drain
- 2 x ComfortWarm™
- VIBE Sound
- Aromatherapy
- Colored drain options available (See pg. 5 in this section)



## Vanessa

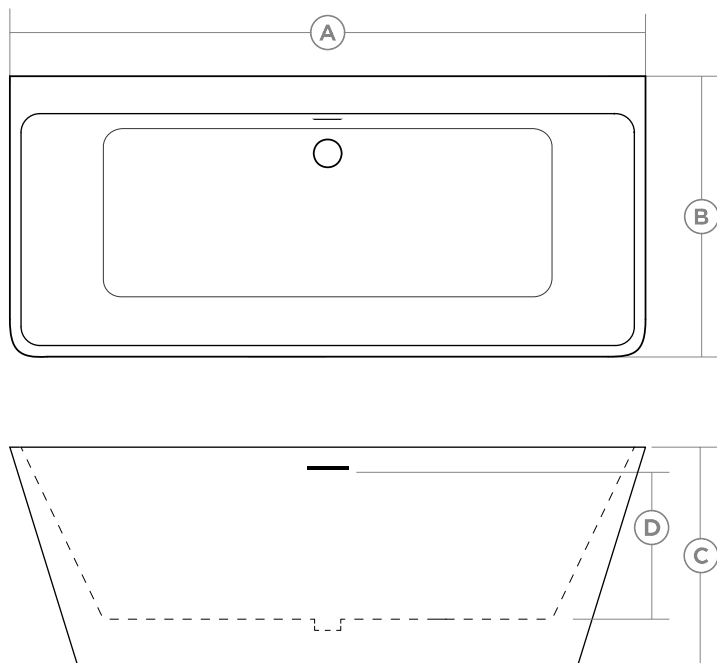
Part # 44335

### Features

- Seamless one-piece design
- Open back
- Slotted overflow
- Clicker style pop-up drain
- Flow through style drain
- Internal steel frame
- Adjustable legs
- Deckmount faucet compatible
- Includes tiling flange not installed

### Upgrades (See pg. 2-6 for details)

- Chromatherapy
- Roughin EZ Drain
- 2 x ComfortWarm™
- VIBE Sound
- Aromatherapy
- Colored drain options available (See pg. 5 in this section)



| A Length | B Width | C Height | D Immersion Depth |
|----------|---------|----------|-------------------|
| 59"      | 29 5/8" | 22 7/8"  | 15 1/4"           |

**Recommended:** if the Semi- freestanding tub is going against the wall, the tub to be installed with the supplied tiling flange.



# Shower Base Index & Quick Reference

## Info

Accessories ..... 9

## Single Threshold

| Dimensions<br>(Width x Depth) | Low Profile<br>Height: 3 7/8"<br>Part # | Page | Regular<br>Profile<br>Height: 5"<br>Part # | Page | Minimalist<br>Height: 2 1/2"<br>Part # | Page | Covered<br>Height: 3"<br>Part # | Page |
|-------------------------------|---|------|--|------|--|------|---------------------------------|------|
| 30" x 30"                     | -                                       | -    | 63001                                      | 12   | -                                      | -    | -                               | -    |
| 30" x 54"                     | -                                       | -    | Refer to page 3                            |      | -                                      | -    | -                               | -    |
| 30" x 60"                     | -                                       | -    | Refer to page 3                            |      | -                                      | -    | -                               | -    |
| 32" x 32"                     | 63032A                                  | 10   | -  | -    | -                                      | -    | 63034                           | 16   |
| 32" x 36"                     | 63041                                   | 10   | -  | -    | -                                      | -    | -                               | -    |
| 32" x 48"                     | -                                       | -    | Refer to page 3                            |      | -                                      | -    | -                               | -    |
| 32" x 54"                     | -                                       | -    | Refer to page 3                            |      | -                                      | -    | -                               | -    |
| 32" x 60"                     | -                                       | -    | Refer to page 3                            |      | -                                      | -    | -                               | -    |
| 34" x 34"                     | 63081A                                  | 10   | -  | -    | -                                      | -    | -                               | -    |
| 34" x 36"                     | 63085                                   | 10   | -  | -    | -                                      | -    | -                               | -    |
| 36" x 32"                     | 63092A                                  | 10   | -  | -    | 63093                                  | 19   | -                               | -    |
| 36" x 34"                     | 63101                                   | 10   | -  | -    | 63102                                  | 19   | -                               | -    |
| 36" x 36"                     | 63112A                                  | 10   | -  | -    | 63113                                  | 19   | 63114                           | 16   |
| 36" x 42"                     | -                                       | -    | Refer to page 3                            |      | -                                      | -    | -                               | -    |
| 36" x 48"                     | -                                       | -    | Refer to page 3                            |      | -                                      | -    | -                               | -    |
| 36" x 54"                     | -                                       | -    | Refer to page 3                            |      | -                                      | -    | -                               | -    |
| 36" x 60"                     | -                                       | -    | Refer to page 3                            |      | -                                      | -    | -                               | -    |
| 42" x 30"                     | 63157                                   | 11   | -  | -    | 63158                                  | 19   | -                               | -    |
| 42" x 32"                     | 63162A                                  | 11   | -  | -    | 63163                                  | 19   | -                               | -    |
| 42" x 34"                     | 63172                                   | 11   | -  | -    | 63173                                  | 19   | -                               | -    |
| 42" x 36"                     | 63182A                                  | 11   | -  | -    | 63183                                  | 19   | 63184                           | 16   |

## Single Threshold

| Dimensions<br>(Width x Depth) | Low Profile<br>Height: 3 7/8"<br>Part # | Page | Regular<br>Profile<br>Height: 5"<br>Part # | Page | Minimalist<br>Height: 2 1/2"<br>Part # | Page | Covered<br>Height: 3"<br>Part # | Page |
|-------------------------------|---|------|--|------|--|------|---------------------------------|------|
| 42" x 42"                     | 63192A                                  | 11   | -  | -    | -                                      | -    | -                               | -    |
| 42" x 48"                     | 63202                                   | 11   | -  | -    | -                                      | -    | -                               | -    |
| 48" x 30"                     | 63211A                                  | 11   | -  | -    | 63212                                  | 19   | -                               | -    |
| 48" x 32"                     | 63221A                                  | 11   | -  | -    | 63222                                  | 19   | 63223                           | 16   |
| 48" x 34"                     | 63241A                                  | 11   | -  | -    | 63242                                  | 19   | -                               | -    |
| 48" x 36"                     | 63251A                                  | 11   | -  | -    | 63252                                  | 19   | 63254                           | 16   |
| 48" x 42"                     | 63271                                   | 11   | -  | -    | -                                      | -    | -                               | -    |
| 48" x 48"                     | 63291A                                  | 11   | -  | -    | -                                      | -    | -                               | -    |
| 54" x 30"                     | -                                       | -    | -  | -    | 63308                                  | 19   | -                               | -    |
| 54" x 32"                     | -                                       | -    | -  | -    | 63309                                  | 19   | -                               | -    |
| 54" x 34"                     | -                                       | -    | -  | -    | 63310                                  | 19   | -                               | -    |
| 54" x 36"                     | -                                       | -    | -  | -    | 63311                                  | 19   | -                               | -    |
| 54" x 42"                     | -                                       | -    | 63315                                      | 12   | -                                      | -    | -                               | -    |
| 60" x 30"                     | 63322A                                  | 11   | -  | -    | 63323                                  | 19   | -                               | -    |
| 60" x 32"                     | 63362A                                  | 11   | -  | -    | 63363                                  | 19   | 63364                           | 16   |
| 60" x 34"                     | 63402A                                  | 11   | -  | -    | 63403                                  | 19   | -                               | -    |
| 60" x 36"                     | 63412A                                  | 11   | -  | -    | 63413                                  | 19   | 63414                           | 16   |
| 60" x 38"                     | -                                       | -    | 63431                                      | 12   | -                                      | -    | -                               | -    |
| 60" x 40"                     | -                                       | -    | 63441                                      | 12   | -                                      | -    | -                               | -    |
| 60" x 42"                     | 63451A                                  | 11   | -  | -    | -                                      | -    | -                               | -    |
| 66" x 32"                     | 63472                                   | 11   | -  | -    | 63473                                  | 19   | -                               | -    |
| 66" x 36"                     | 63492                                   | 11   | -  | -    | 63493                                  | 19   | -                               | -    |
| 72" x 32"                     | 63512                                   | 11   | -  | -    | 63513                                  | 19   | -                               | -    |
| 72" x 36"                     | 63532A                                  | 11   | -  | -    | 63533                                  | 19   | -                               | -    |

# Single Threshold End Drain

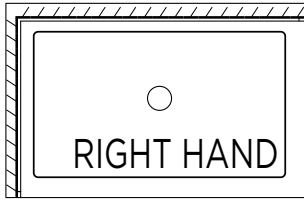
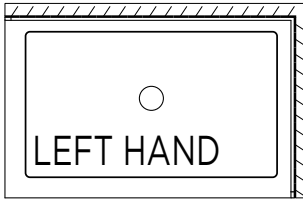
| Dimensions<br>(Width x Depth) | Low Profile<br>End Drain<br>Height: 3 7/8"<br>Part # | Page | Regular<br>Profile<br>End Drain<br>Height: 5"<br>Part # | Page | Low Profile<br>Linear (Grill)<br>End Drain<br>Height: 3 7/8"<br>Part # | Page | Low Profile<br>Covered<br>End Drain<br>Height: 3"<br>Part # | Page |
|-------------------------------|--|------|---|------|--|------|---|------|
| 30" x 54"                     | - -  | -    | 63011   | 14   | - -  | -    | - -   | -    |
| 30" x 60"                     | - -  | -    | 63021   | 14   | - -  | -    | - -   | -    |
| 32" x 48"                     | - -  | -    | 63051   | 14   | - -  | -    | - -   | -    |
| 32" x 54"                     | - -  | -    | 63061   | 14   | - -  | -    | - -   | -    |
| 32" x 60"                     | - -  | -    | 63071   | 14   | - -  | -    | - -   | -    |
| 36" x 42"                     | - -  | -    | 63121   | 14   | - -  | -    | - -   | -    |
| 36" x 48"                     | - -  | -    | 63131   | 14   | - -  | -    | - -   | -    |
| 36" x 54"                     | - -  | -    | 63141   | 14   | - -  | -    | - -   | -    |
| 36" x 60"                     | - -  | -    | 63151   | 14   | - -  | -    | - -   | -    |
| 48" x 30"                     | LH 63214<br>RH 63215                                 | 13   | -   | -    | LH 63218G<br>RH 63219G   | 15   | - -   | -    |
| 48" x 32"                     | LH 63224<br>RH 63225                                 | 13   | -   | -    | LH 63228G<br>RH 63229G   | 15   | - -   | -    |
| 48" x 36"                     | - -  | -    | -   | -    | LH 63258G<br>RH 63259G   | 15   | - -   | -    |
| 60" x 30"                     | LH 63331A<br>RH 63351A                               | 13   | -   | -    | LH 63331G<br>RH 63351G   | 15   | LH 63331CD<br>RH 63351CD                                    | 17   |
| 60" x 32"                     | LH 63371A<br>RH 63391A                               | 13   | -   | -    | LH 63371G<br>RH 63391G   | 15   | LH 63371CD<br>RH 63391CD                                    | 17   |
| 60" x 36"                     | LH 63418A<br>RH 63419A                               | 13   | -   | -    | LH 63418G<br>RH 63419G   | 15   | LH 63418CD<br>RH 63419CD                                    | 17   |



## Barrier-Free

| <b>Dimensions</b> (Width x Depth) | <b>Single Threshold<br/>Height: 2"<br/>Part #</b> | <b>Page</b> | <b>Single Threshold End Drain<br/>Height: 2"<br/>Part #</b> | <b>Page</b> |
|-----------------------------------|---|-------------|---|-------------|
| 48 x 36                           | 72011   | 20          | - -   | -           |
| 48 x 38                           | 72021   | 20          | - -   | -           |
| 48 x 42                           | 72031   | 20          | - -   | -           |
| 48 x 48                           | 72041   | 20          | - -   | -           |
| 54 x 36                           | 72051   | 20          | - -   | -           |
| 60 x 30                           | -   | -           | LH 72061<br>RH 72071  | 21          |
| 60 x 32                           | 72081   | 20          | LH 72091<br>RH 72101  | 21          |
| 60 x 34                           | 72111   | 20          | - -   | -           |
| 60 x 36                           | 72121   | 20          | - -   | -           |
| 60 x 38                           | 72131   | 20          | - -   | -           |
| 60 x 40                           | 72141   | 20          | - -   | -           |
| 60 x 42                           | 72151   | 20          | - -   | -           |

# Double Threshold

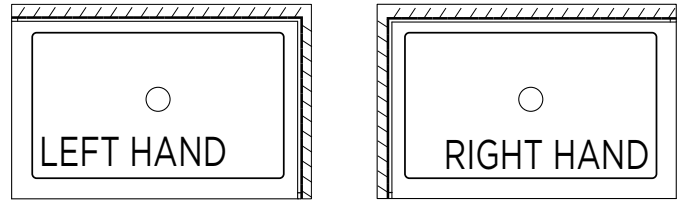


| <b>Dimensions</b><br>(Width x Depth) | <b>Low Profile</b><br>Height: 3 7/8"<br>LH Threshold<br>RH Threshold<br>Part # | <b>Page</b> | <b>Minimalist</b><br>Height: 2 1/2"<br>LH Threshold<br>RH Threshold<br>Part # | <b>Page</b> | <b>Covered</b><br>Height: 3"<br>LH Threshold<br>RH Threshold<br>Part # | <b>Page</b> |
|--------------------------------------|--|-------------|---|-------------|--|-------------|
| 32" x 32"                            | LH/RH 60002A   | 23          | - -   | -           | LH/RH 60004  | 24          |
| 34" x 34"                            | LH/RH 60012A   | 23          | - -   | -           | - -  | -           |
| 36" x 32"                            | LH 60014A<br>RH 60015A   | 23          | - -   | -           | - -  | -           |
| 36" x 36"                            | LH/RH 60032A   | 23          | LH/RH 60033   | 26          | LH/RH 60034  | 24          |
| 38" x 38"                            | LH/RH 60041  | 23          | - -   | -           | - -  | -           |
| 42" x 32"                            | LH 60042A<br>RH 60043A   | 23          | - -   | -           | - -  | -           |
| 42" x 36"                            | LH 60044A<br>RH 60045A   | 23          | - -   | -           | LH 60048<br>RH 60049   | 24          |
| 42" x 42"                            | LH/RH 60062A   | 23          | - -   | -           | - -  | -           |
| 48" x 30"                            | LH 60074A<br>RH 60075A   | 23          | - -   | -           | - -  | -           |
| 48" x 32"                            | LH 60084A<br>RH 60085A   | 23          | - -   | -           | LH 60088<br>RH 60089   | 24          |
| 48" x 34"                            | LH 60094A<br>RH 60095A   | 23          | - -   | -           | - -  | -           |
| 48" x 36"                            | LH 60104A<br>RH 60105A   | 23          | LH 60106<br>RH 60107  | 26          | LH 60108<br>RH 60109   | 24          |

**Please, refer to the above drawing before placing the order.**

Rev. 1.0 - May 1 2023 List Prices do not include taxes. Dimensions are subject to change without notice. Refer to technical drawings for detailed product dimensions

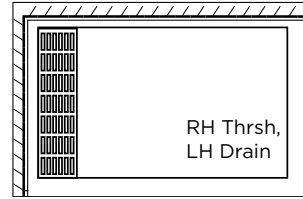
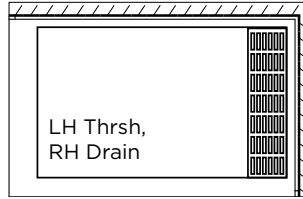
## Double Threshold



| Dimensions<br>(Width x Depth) | Low Profile<br>Height: 3 7/8"<br>LH Threshold<br>RH Threshold<br>Part # | Page | Minimalist<br>Height: 2 1/2"<br>LH Threshold<br>RH Threshold<br>Part # | Page | Covered<br>Height: 3"<br>LH Threshold<br>RH Threshold<br>Part # | Page |
|-------------------------------|---|------|--|------|---|------|
| 48" x 42"                     | LH 60114<br>RH 60115  | 23   | - -  | -    | - -   | -    |
| 48" x 48"                     | LH/RH 60125A  | 23   | - -  | -    | - -   | -    |
| 60" x 30"                     | LH 60134A<br>RH 60135A  | 23   | LH 60136<br>RH 60137   | 26   | -   | -    |
| 60" x 32"                     | LH 60144A<br>RH 60145A  | 23   | LH 60146<br>RH 60147   | 26   | LH 60148<br>RH 60149  | 24   |
| 60" x 34"                     | LH 60154A<br>RH 60155A  | 23   | LH 60156<br>RH 60157   | 26   | - -<br>- -  | -    |
| 60" x 36"                     | LH 60164A<br>RH 60165A  | 23   | LH 60166<br>RH 60167   | 26   | LH 60168<br>RH 60169  | 24   |
| 60" x 42"                     | LH 60172A<br>RH 60173A  | 23   | - -  | -    | - -   | -    |
| 66" x 32"                     | LH 60184<br>RH 60185  | 23   | LH 60186<br>RH 60187   | 26   | - -   | -    |
| 66" x 36"                     | LH 60204<br>RH 60205  | 23   | LH 60206<br>RH 60207   | 26   | - -   | -    |
| 72" x 32"                     | LH 60224<br>RH 60225  | 23   | LH 60226<br>RH 60227   | 26   | - -   | -    |
| 72" x 36"                     | LH 60244A<br>RH 60245A  | 23   | LH 60246<br>RH 60247   | 26   | - -   | -    |

**Please, refer to the above drawing before placing the order.**

## Double Threshold Linear (Grill) End Drain



| Dimensions<br>(Width x Depth) | LH Threshold, RH Drain<br>Height: 3 7/8"<br>Part # | RH Threshold, LH Drain<br>Height: 3 7/8"<br>Part # | Page |
|-------------------------------|--|--|------|
| 42" x 36"                     | 60044G   | 60045G   | 25   |
| 60" x 30"                     | 60134G   | 60135G   | 25   |
| 60" x 32"                     | 60144G   | 60145G   | 25   |
| 60" x 36"                     | 60164G   | 60165G   | 25   |

**Please, refer to the above drawing before placing the order.**

- Price includes stainless steel linear drain cover
- Consult technical specifications for threshold heights and drain placements

## Corner

| Dimensions<br>(Width x Depth) | Belly Round Front<br>Height: 4 ¼"<br>Part # | Page | Round Front<br>Height: 5"<br>Part # | Page | Neo-Angle<br>Height: 4"<br>Part # | Page |
|-------------------------------|---|------|-------------------------------------|------|-----------------------------------|------|
| 32" x 32"                     | -   | -    | 62011                               | 28   | -                                 | -    |
| 34" x 34"                     | 64010                                       | 27   | -                                   | -    | 61011A                            | 29   |
| 36" x 36"                     | 64012                                       | 27   | 62020A                              | 28   | 61021A                            | 29   |
|                               |   |      |                                     |      | 61022 (*AFRC)                     | 29   |
| 38" x 38"                     | -   | -    | -                                   | -    | 61030                             | 29   |
|                               |   |      |                                     |      | 61031 (*AFRC)                     | 29   |
| 40" x 40"                     | -   | -    | 62041                               | 28   | 61032                             | 29   |
| 42" x 42"                     | -   | -    | -                                   | -    | 61041                             | 29   |
| 48" x 48"                     | -   | -    | -                                   | -    | 61042                             | 29   |

\*AFRC: Above floor rough-in compatible (Height: 9 ½")

## Receptor Alcove I End Drain

| Products  | Dimensions          | Item No. | Page |
|-----------|---------------------|----------|------|
| Pender LH | 59 ⅞" x 33" x 22 ½" | 63612    | 30   |
| Pender RH | 59 ⅞" x 33" x 22 ½" | 63613    | 30   |

# Shower Base Accessories

| Accessories   | Item # |
|---|--------|
| Grill Cover 24 7/8" (Chrome) for Replacement (60" x 30" & 60" x32") | 02999  |
| Grill Cover 28 7/8" (Chrome) for Replacement (60" x 36")            | 03000  |
| Standard Shower Drain (White)                                       | 03001  |
| Standard Shower Drain (Chrome)                                      | 03004  |
| Square Cover for Replacement (7" x 7")                              | 03015  |
| Rectangular Cover for Replacement (9 3/8" x 6 3/8")                 | 03016  |
| Collapsible Threshold (Barrier Free Showers)                        | 05010  |
| End Caps for Collapsible Threshold (Barrier Free Showers)           | 05011  |

Note: measurements provided here-in are nominal and are approximate. Detailed measurements are listed on product specification sheets (available online).



## 6 | Shower Bases Single Threshold

More  
Sizes  
----->



### Low Profile

#### Single Threshold

\*A Series - Centre Drain

Height: 3 7/8"

#### Compatible Shower Doors

| Dimensions (Width x Depth) | Part # | Abbott Series                            | Ruxton                                  | Cortez                                | Ebony                                      |
|----------------------------|--------|--|---|---------------------------------------|--|
|                            |        | 10 & 8mm<br>Chrome<br>Section 7<br>Pg. 4 | 6mm<br>Chrome<br>Section 7<br>Pg. 13-14 | 8mm<br>Chrome<br>Section 7<br>Pg. 6-7 | 6mm<br>Matte Black<br>Section 7<br>Pg. 8-9 |
| 32" x 32"                  | 63032A | -  | 51106                                   | -                                     | -  |
| 32" x 36"                  | 63041  | -  | 51106                                   | -                                     | -  |
| 34" x 34"                  | 63081A | -  | 51126                                   | -                                     | -  |
| 34" x 36"                  | 63085  | -  | 51126                                   | -                                     | -  |
| 36" x 32"                  | 63092A | -  | 51146                                   | -                                     | 51723                                      |
| 36" x 34"                  | 63101  | -  | 51146                                   | -                                     | 51723                                      |
| 36" x 36"                  | 63112A | -  | 51146                                   | -                                     | 51723                                      |

NS: These sizes are made to order and are generally non-stocking items. Please allow for manufacturing time.  
NS models not returnable once ordered.

\* Refer to shower door section for additional finish options.

## Low Profile

### Single Threshold

### Compatible Shower Doors

\*A Series - Centre Drain  
Height: 3 7/8"

| Dimensions (Width x Depth) |    | Part # | Abbott Series<br>10 & 8mm<br>Chrome<br>Section 7,<br>Pg. 4 | Ruxton<br>6mm<br>Chrome<br>Section 7,<br>Pg. 13-14 | Cortez / Pristina<br>8mm<br>Chrome<br>Section 7,<br>Pg. 6-7 or 11 | Ebony<br>6mm<br>Matte Black<br>Section 7,<br>Pg. 8-9 |
|----------------------------|----|--------|--|--|---|--|
| 42" x 30"                  | NS | 63157  | -  | 51166  | 51603.S42LH<br>or 51803   | -  |
| 42" x 32"                  |    | 63162A | -  | 51166  |   | -  |
| 42" x 34"                  | NS | 63172  | -  | 51166  |   | -  |
| 42" x 36"                  |    | 63182A | -  | 51166  |   | -  |
| 42" x 42"                  |    | 63192A | -  | 51166  |   | -  |
| 42" x 48"                  | NS | 63202  | -  | 51166  |   | -  |
| 48" x 30"                  |    | 63211A | 57063  | 51184  | 51603.S48LH<br>or<br>51606.S48RH                                  | 51723.51733  |
| 48" x 32"                  |    | 63221A | 57063  | 51184  |   | 51723.51733  |
| 48" x 34"                  |    | 63241A | 57063  | 51184  |   | 51723.51733  |
| 48" x 36"                  |    | 63251A | 57063  | 51184  |   | 51723.51733  |
| 48" x 42"                  |    | 63271  | 57063  | 51184  |   | 51723.51733  |
| 48" x 48"                  |    | 63291A | 57063  | 51184  |   | 51723.51733  |
| 60" x 30"                  |    | 63322A | 57073  |  | 51613.S60LH<br>or<br>51616.S60RH                                  | 51723.51743  |
| 60" x 32"                  |    | 63362A | 57073  |  |   | 51723.51743  |
| 60" x 34"                  |    | 63402A | 57073  | -  |   | 51723.51743  |
| 60" x 36"                  |    | 63412A | 57073  |  |   | 51723.51743  |
| 60" x 42"                  |    | 63451A | 57073  |  |   | 51723.51743  |
| 66" x 32"                  | NS | 63472  | 57083  | -  |   | 51613.S66LH or<br>51616.S66RH                        |
| 66" x 36"                  | NS | 63492  | 57083  |  |   |  |
| 72" x 32"                  | NS | 63512  | 57093  |  |   |  |
| 72" x 36"                  |    | 63532A | 57093  |  |   |  |

NS: These sizes are made to order and are generally non-stocking items. Please allow for manufacturing time.  
NS models not returnable once ordered.

\* Refer to shower door section for additional finish options.



**6 | Shower Bases**  
**Single Threshold**



**Regular Profile**

Single Threshold

**Compatible Shower Doors**

Height: 5"

| Dimensions (Width x Depth) |    | Part # | Abbott Series<br>10 & 8mm<br>Chrome<br>Section 7<br>Pg. 4 | Ruxton<br>6mm<br>Chrome<br>Section 7<br>Pg. 13-14 | Cortez<br>8mm<br>Chrome<br>Section 7<br>Pg. 6-7 | Ebony<br>6mm<br>Matte Black<br>Section 7<br>Pg. 8-9 |
|----------------------------|----|--------|---|---|---|---|
| 30" x 30"                  |    | 63001  | -   | -   | -   | -   |
| 54" x 42"                  | NS | 63315  | -   | -   | -   | -   |
| 60" x 38"                  |    | 63431  | 57073   | -   | 51613.S60LH<br>or<br>51616.S60RH                | 51723.51743   |
| 60" x 40"                  |    | 63441  | 57073   | -   | 51616.S60RH                                     | 51723.51743   |

NS: These sizes are made to order and are generally non-stocking items. Please allow for manufacturing time.

NS models not returnable once ordered.

\* Refer to shower door section for additional finish options.



## Low Profile

Single Threshold | End Drain

Height: 3 7/8"

### Compatible Shower Doors

| Dimensions<br>(Width x Depth) | Left Drain<br>Part # | Right Drain<br>Part # | Abbott Series                            | Ruxton                                  | Cortez                                | Ebony                                      |
|-------------------------------|----------------------|-----------------------|--|---|---------------------------------------|--|
|                               |                      |                       | 10 & 8mm<br>Chrome<br>Section 7<br>Pg. 4 | 6mm<br>Chrome<br>Section 7<br>Pg. 13-14 | 8mm<br>Chrome<br>Section 7<br>Pg. 6-7 | 6mm<br>Matte Black<br>Section 7<br>Pg. 8-9 |
| 48" x 30"                     | 63214                | 63215                 | 57063                                    | 51184                                   | 51603.S48LH<br>or<br>51606.S48RH      | 51723.51733                                |
| 48" x 32"                     | 63224                | 63225                 | 57063                                    | 51184                                   | 51606.S48RH                           | 51723.51733                                |
| 60" x 30"                     | 63331A               | 63351A                | 57073                                    | -                                       | 51613.S60LH<br>or<br>51616.S60RH      | 51723.51743                                |
| 60" x 32"                     | 63371A               | 63391A                | 57073                                    | -                                       | 51613.S60LH<br>or<br>51616.S60RH      | 51723.51743                                |
| 60" x 36"                     | 63418A               | 63419A                | 57073                                    | -                                       | 51613.S60LH<br>or<br>51616.S60RH      | 51723.51743                                |

\* Refer to shower door section for additional finish options.

## 6 | Shower Bases Single Threshold



### Regular Profile

Single Threshold | End Drain

Height: 5"

#### Compatible Shower Doors

|                                   |               | <b>Abbott Series</b><br>10 & 8mm<br><br>Chrome<br>Section 7<br>Pg. 4 | <b>Ruxton</b><br>6mm<br><br>Chrome<br>Section 7<br>Pg. 13-14 | <b>Cortez</b><br>8mm<br><br>Chrome<br>Section 7<br>Pg. 6-7 | <b>Ebony</b><br>6mm<br><br>Matte Black<br>Section 7<br>Pg. 8-9 |
|-----------------------------------|---------------|--|--|--|--|
| <b>Dimensions</b> (Width x Depth) | <b>Part #</b> |  |  |  |  |
| 30" x 54"                         | 63011         | -  | -  | -  | -  |
| 30" x 60"                         | 63021         | -  | -  | -  | -  |
| 32" x 48"                         | 63051         | -  | 51106  | -  | -  |
| 32" x 54"                         | 63061         | -  | 51106  | -  | -  |
| 32" x 60"                         | 63071         | -  | 51106  | -  | -  |
| 36" x 42"                         | 63121         | -  | 51146  | -  | 51723  |
| 36" x 48"                         | 63131         | -  | 51146  | -  | 51723  |
| 36" x 54"                         | NS 63141      | -  | 51146  | -  | 51723  |
| 36" x 60"                         | NS 63151      | -  | 51146  | -  | 51723  |

NS: These sizes are made to order and are generally non-stocking items. Please allow for manufacturing time.  
NS models not returnable once ordered.

\* Refer to shower door section for additional finish options.

Left Hand  
Shown



## Low Profile

Single Threshold | Linear End Drain

Height: 3 7/8"

### Compatible Shower Doors

| Dimensions<br>(Width x Depth) | Left Drain<br>Part # | Right Drain<br>Part # | Abbott Series                            | Ruxton                                  | Cortez                                | Ebony                                      |
|-------------------------------|----------------------|-----------------------|--|---|---------------------------------------|--|
|                               |                      |                       | 10 & 8mm<br>Chrome<br>Section 7<br>Pg. 4 | 6mm<br>Chrome<br>Section 7<br>Pg. 13-14 | 8mm<br>Chrome<br>Section 7<br>Pg. 6-7 | 6mm<br>Matte Black<br>Section 7<br>Pg. 8-9 |
| 48" x 30"                     | 63218G               | 63219G                | 57063                                    | 51184                                   |                                       | 51723.51733                                |
| 48" x 32"                     | 63228G               | 63229G                | 57063                                    | 51184                                   | 51603.S48LH<br>or<br>51606.S48RH      | 51723.51733                                |
| 48" x 36"                     | 63258G               | 63259G                | 57063                                    | 51184                                   |                                       | 51723.51733                                |
| 60" x 30"                     | 63331G               | 63351G                | 57073                                    |   |                                       | 51723.51743                                |
| 60" x 32"                     | 63371G               | 63391G                | 57073                                    | -                                       | 51613.S60LH<br>or<br>51616.S60RH      | 51723.51743                                |
| 60" x 36"                     | 63418G               | 63419G                | 57073                                    |   |                                       | 51723.51743                                |

### Replacement Grill Covers (Chrome)

24 7/8" 02999 for 60" x 30" & 60" x 32"

28 7/8" 03000 for 60" x 36"

\* Refer to shower door section for additional finish options. - Price includes grill cover  
- Consult technical specifications for threshold heights and drain placements

## 6 | Shower Bases Single Threshold



### Low Profile

Single Threshold | Covered Drain

#### Compatible Shower Doors

Height: 3"

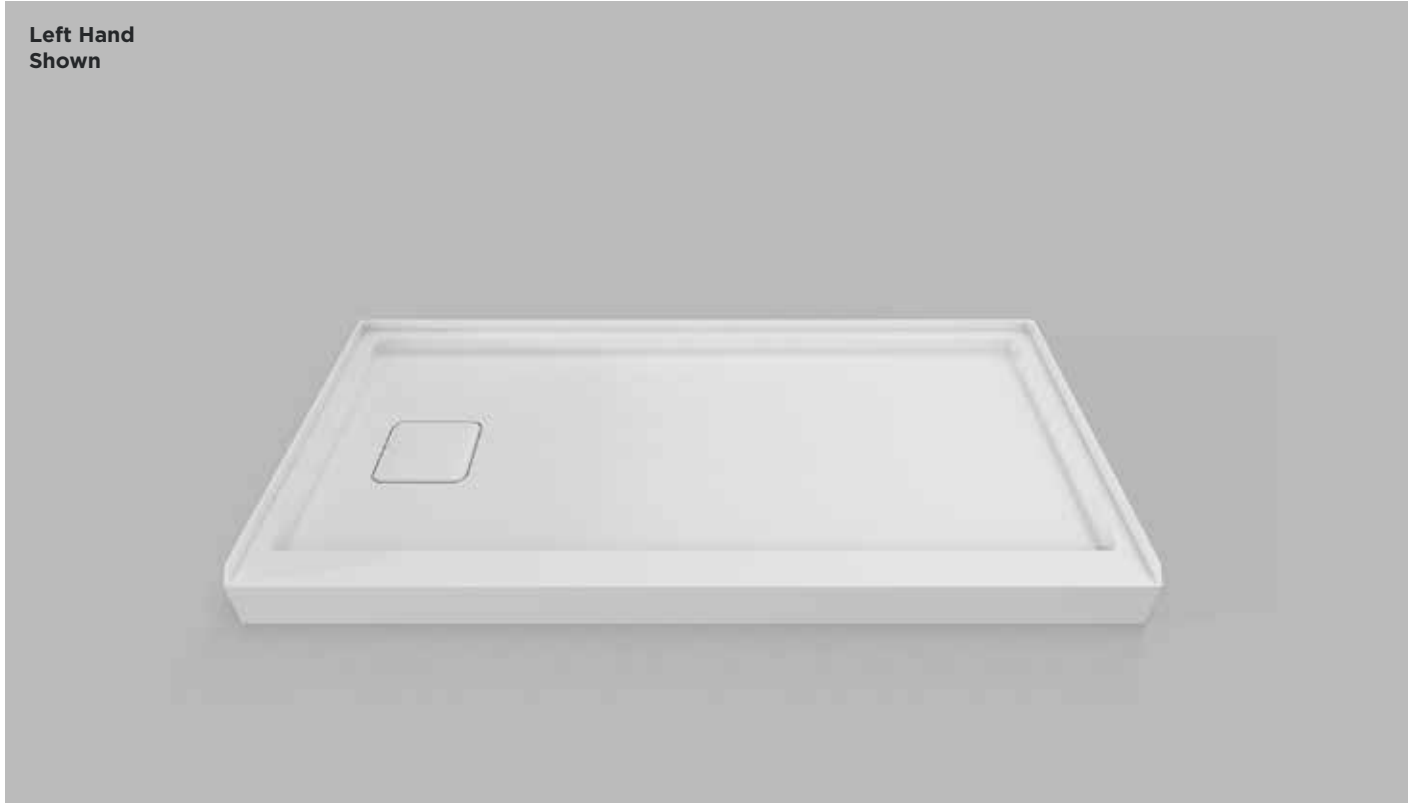
| Dimensions (Width x Depth) | Part # | Abbott Series                            | Ruxton                                  | Cortez / Pristina                           | Ebony                                      |
|----------------------------|--------|--|---|---|--|
|                            |        | 10 & 8mm<br>Chrome<br>Section 7<br>Pg. 4 | 6mm<br>Chrome<br>Section 7<br>Pg. 13-14 | 8mm<br>Chrome<br>Section 7<br>Pg. 6-7 or 11 | 6mm<br>Matte Black<br>Section 7<br>Pg. 8-9 |
| 32" x 32"                  | 63034  | -  | 51106                                   | -   | -  |
| 36" x 36"                  | 63114  | -  | 51146                                   | -   | 51723                                      |
| 42" x 36"                  | 63184  | -  | 51166                                   | 51603.S42LH<br>or 51803                     | -  |
| 48" x 32"                  | 63223  | 57063                                    | 51184                                   | 51603.S48LH or<br>51606.S48RH               | 51723.51733                                |
| 48" x 36"                  | 63254  | 57063                                    | 51184                                   |   | 51723.51733                                |
| 60" x 32"                  | 63364  | 57073                                    | -                                       | 51613.S60LH or<br>51616.S60RH               | 51723.51743                                |
| 60" x 36"                  | 63414  | 57073                                    |   |   | 51723.51743                                |

#### Replacement Covers:

Square 7" x 7" 03015

Rectangular 9 3/8" x 6 3/8" 03016

\* Refer to shower door section for additional finish options.



## Low Profile

Single Threshold | Covered End Drain

Height: 3"

### Compatible Shower Doors

| Dimensions<br>(Width x Depth) | Left Drain<br>Part # | Right Drain<br>Part # | Abbott Series                            | Ruxton                                  | Cortez                                | Ebony                                      |
|-------------------------------|----------------------|-----------------------|--|---|---------------------------------------|--|
|                               |                      |                       | 10 & 8mm<br>Chrome<br>Section 7<br>Pg. 4 | 6mm<br>Chrome<br>Section 7<br>Pg. 13-14 | 8mm<br>Chrome<br>Section 7<br>Pg. 6-7 | 6mm<br>Matte Black<br>Section 7<br>Pg. 8-9 |
| 60" x 30"                     | 63331CD              | 63351CD               | 57073                                    | -                                       | 51613.S60LH<br>or                     | 51723.51743                                |
| 60" x 32"                     | 63371CD              | 63391CD               | 57073                                    | -                                       | 51616.S60RH                           | 51723.51743                                |
| 60" x 36"                     | 63418CD              | 63419CD               | 57073                                    | -                                       | 51613.S60LH<br>or<br>51616.S60RH      | 51723.51743                                |

### Replacement Covers:

Square 7" x 7" 03015

\* Refer to shower door section for additional finish options.

**6 | Shower Bases**  
**Single Threshold**

**Minimalist  
Sizes**  
----->



# Minimalist

## Single Threshold

### Compatible Shower Doors

| Height: 2 ½"               |    |        | Abbott Series<br>10 & 8mm<br>Chrome<br>Section 7<br>Pg. 4 | Ruxton<br>6mm<br>Chrome<br>Section 7<br>Pg. 13-14 | Cortez / Pristina<br>8mm<br>Chrome<br>Section 7<br>Pg. 6-7 or 11 | Ebony<br>6mm<br>Matte Black<br>Section 7<br>Pg. 8-9 |
|----------------------------|----|--------|---|---|--|---|
| Dimensions (Width x Depth) |    | Part # |   |   |  |   |
| 36" x 32"                  | NS | 63093  |   | 51146   |  | 51723   |
| 36" x 34"                  | NS | 63102  | -   | 51146   | -  | 51723   |
| 36" x 36"                  |    | 63113  |   | 51146   |  | 51723   |
| 42" x 30"                  | NS | 63158  |   | 51166   |  |   |
| 42" x 32"                  | NS | 63163  |   | 51166   | 51603.S42LH<br>or 51803  | -   |
| 42" x 34"                  | NS | 63173  |   | 51166   |  |   |
| 42" x 36"                  |    | 63183  |   | 51166   |  |   |
| 48" x 30"                  | NS | 63212  | 57063   | 51184   |  | 51723.51733   |
| 48" x 32"                  |    | 63222  | 57063   | 51184   | 51603.S48LH<br>or<br>51606.S48RH                                 | 51723.51733   |
| 48" x 34"                  | NS | 63242  | 57063   | 51184   |  | 51723.51733   |
| 48" x 36"                  |    | 63252  | 57063   | 51184   |  | 51723.51733   |
| 54" x 30"                  | NS | 63308  |   |   |  |   |
| 54" x 32"                  | NS | 63309  |   |   |  |   |
| 54" x 34"                  | NS | 63310  | -   | -   | -  | -   |
| 54" x 36"                  | NS | 63311  |   |   |  |   |
| 60" x 30"                  |    | 63323  | 57073   |   |  | 51723.51743   |
| 60" x 32"                  |    | 63363  | 57073   |   | 51613.S60LH<br>or<br>51616.S60RH                                 | 51723.51743   |
| 60" x 34"                  | NS | 63403  | 57073   | -   |  | 51723.51743   |
| 60" x 36"                  |    | 63413  | 57073   |   |  | 51723.51743   |
| 66" x 32"                  | NS | 63473  | 57083   |   | 51613.S66LH or<br>51616.S66RH                                    | -   |
| 66" x 36"                  |    | 63493  | 57083   | -   |  |   |
| 72" x 32"                  | NS | 63513  | 57093   |   |  |   |
| 72" x 36"                  |    | 63533  | 57093   | -   | -  | -   |

NS: These sizes are made to order and are generally non-stocking items. Please allow for manufacturing time.  
NS models not returnable once ordered.

\* Refer to shower door section for additional finish options.



**6 | Shower Bases**  
**Single Threshold**



**Barrier-Free**

**Single Threshold**

Height: 2"

| <b>Dimensions</b> (Width x Depth)                         |    | <b>Part #</b> |
|---|----|---------------|
| 48 x 36   | NS | 72011         |
| 48 x 38   | NS | 72021         |
| 48 x 42   | NS | 72031         |
| 48 x 48   | NS | 72041         |
| 54 x 36   | NS | 72051         |
| 60 x 32   |    | 72081         |
| 60 x 34   |    | 72111         |
| 60 x 36   |    | 72121         |
| 60 x 38   |    | 72131         |
| 60 x 40   |    | 72141         |
| 60 x 42   |    | 72151         |
| Collapsible Threshold                                     |    | 05010         |
| End Caps for Collapsible Threshold (Barrier Free Showers) |    | 05011         |

NS: These sizes are made to order and are generally non-stocking items. Please allow for manufacturing time.  
 NS models not returnable once ordered.



## Barrier-Free

Single Threshold | End Drain

Height: 2"

| Dimensions (Width x Depth)                                | LH-Drain Part # | RH-Drain Part # |
|---|-----------------|-----------------|
| 60" x 30"   | 72061           | 72071           |
| 60" x 32"   | 72091           | 72101           |
| Collapsible Threshold                                     |                 | 05010           |
| End Caps for Collapsible Threshold (Barrier Free Showers) |                 | 05011           |

"Consult technical specifications for threshold heights and drain placements.  
Barrier free shower bases are not intended for installation with a shower door."

**6 | Shower Bases**  
**Double Threshold**

**Left Hand Threshold**  
**Shown**

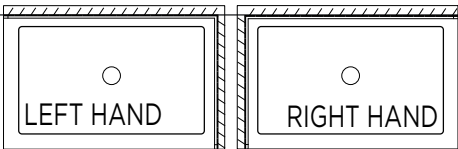
**Sizes**  
----->



## Low Profile

Double Threshold | \*A Series - Centre Drain

### Compatible Shower Doors

| Height: 3 7/8"                |                         |  |  | Abbott Series                             | Ruxton                               | Cortez / Pristina  | Ebony  |
|-------------------------------|-------------------------|---|--|---|--------------------------------------|--|--|
| Dimensions<br>(Width x Depth) | Left Threshold<br>Part# | Right Threshold<br>Part #   |  | 10 & 8mm<br>Chrome<br>Section 7<br>Pg. 15 | 6mm<br>Chrome<br>Section 7<br>Pg. 22 | 8mm<br>Chrome<br>Section 7<br>Pg. 16-17 or 20  | 6mm<br>Matte Black<br>Section 7<br>Pg. 18-19 |
| 32" x 32"                     |                         | 60002A  |  | -   | 53016                                | -  | -  |
| 34" x 34"                     |                         | 60012A  |  | -   | 53028                                | -  | -  |
| 36" x 32"                     | 60014A                  | 60015A  |  | -   | 53046                                | -  | -  |
| 36" x 36"                     |                         | 60032A  |  | -   | 53036                                | -  | 51723.51773                                  |
| 38" x 38"                     | NS                      | 60041   |  | -   | -                                    | -  | -  |
| 42" x 32"                     | 60042A                  | 60043A  |  | -   | -                                    | See Section 7,<br>Pg. 15, 16 for<br>detailed part<br>numbers for<br>compatible<br>doors. | -  |
| 42" x 36"                     | 60044A                  | 60045A  |  | -   | -                                    | 51803.51873  | -  |
| 42" x 42"                     | 60062A                  | 60062A  |  | -   | -                                    |  | -  |
| 48" x 30"                     | 60074A                  | 60075A  |  | 57063.57103                               | -                                    |  | -  |
| 48" x 32"                     | 60084A                  | 60085A  |  | 57063.57113                               | -                                    |  | 51723.<br>51733.51753                        |
| 48" x 34"                     | 60094A                  | 60095A  |  | 57063.57123                               | -                                    |  | -  |
| 48" x 36"                     | 60104A                  | 60105A  |  | 57063.57133                               | -                                    |  | 51723.<br>51733.51773                        |
| 48" x 42"                     | NS 60114                | 60115   |  | -   | -                                    | See Section 7,<br>Pg. 15, 16 for<br>detailed part<br>numbers for<br>compatible<br>doors. | -  |
| 48" x 48"                     |                         | 60125A  |  | -   | -                                    |  | -  |
| 60" x 30"                     | 60134A                  | 60135A  |  | 57073.57103                               | -                                    |  | -  |
| 60" x 32"                     | 60144A                  | 60145A  |  | 57073.57113                               | -                                    |  | 51723.<br>51743.51753                        |
| 60" x 34"                     | 60154A                  | 60155A  |  | 57073.57123                               | -                                    |  | -  |
| 60" x 36"                     | 60164A                  | 60165A  |  | 57073.57133                               | -                                    |  | 51723.<br>51743.51773                        |
| 60" x 42"                     | 60172A                  | 60173A  |  | -   | -                                    |  | -  |
| 66" x 32"                     | NS 60184                | 60185   |  | 57083.57113                               | -                                    |  | -  |
| 66" x 36"                     | NS 60204                | 60205   |  | 57083.57133                               | -                                    |  | -  |
| 72" x 32"                     | NS 60224                | 60225   |  | 57093.57113                               | -                                    | -  | -  |
| 72" x 36"                     | 60244A                  | 60245A  |  | 57093.57133                               | -                                    | -  | -  |

NS: These sizes are made to order and are generally non-stocking items. Please allow for manufacturing time. NS models not returnable once ordered.

**Please, refer to the above drawing before placing the order.**

## 6 | Shower Bases Double Threshold

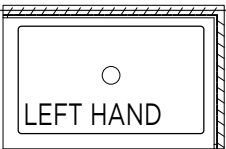
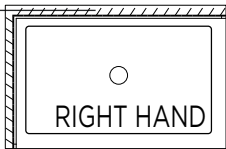
Right Hand Threshold  
Shown



### Low Profile

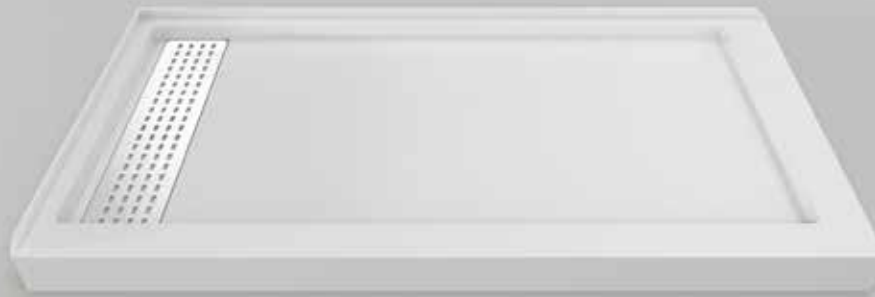
Double Threshold | Covered Drain

#### Compatible Shower Doors

| Height: 3"                    |  |  | Compatible Shower Doors                                    |  |  |   |
|-------------------------------|---|---|--|--|--|---|
| Dimensions<br>(Width x Depth) | Left Threshold<br>Part #  | Right Threshold<br>Part #   | Abbott Series<br>10 & 8mm<br>Chrome<br>Section 7<br>Pg. 15 | Ruxton<br>6mm<br>Chrome<br>Section 7<br>Pg. 22 | Cortez / Pristina<br>8mm<br>Chrome<br>Section 7<br>Pg. 16-17 or 20                       | Ebony<br>6mm<br>Matte Black<br>Section 7<br>Pg. 18-19 |
| 32" x 32"                     | 60004   | 60004   | -  | 53016  | -  | -   |
| 36" x 36"                     |   | 60034   | -  | 53036  | -  | 51723.51773   |
| 42" x 36"                     | 60048   | 60049   | -  | -  | 51803.51873  | -   |
| 48" x 32"                     | 60088   | 60089   | 57063.57113  | -  | See Section<br>7, Pg. 15, 16 for<br>detailed part<br>numbers for<br>compatible<br>doors. | 51723.<br>51733.51753                                 |
| 48" x 36"                     | 60108   | 60109   | 57063.57133  | -  |  | 51723.<br>51733.51773                                 |
| 60" x 32"                     | 60148   | 60149   | 57073.57113  | -  |  | 51723.<br>51743.51753                                 |
| 60" x 36"                     | 60168   | 60169   | 57073.57133  | -  |  | 51723.<br>51743.51773                                 |
| <b>Replacement Cover</b>      |   |   |  |  |  |   |
| Square                        | 7" x 7"   | 03015   |  |  |  |   |
| Rectangular                   | 9 3/8" x 6 3/8"   | 03016   |  |  |  |   |

Please, refer to the above drawing before placing the order.

Right Hand Threshold,  
Left Hand Drain  
Shown

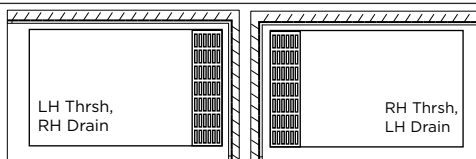


## Low Profile

Double Threshold | Linear End Drain (Grill)

### Compatible Shower Doors

Height: 3 7/8"



| Dimensions<br>(Width x Depth) | LH Threshold,<br>RH Drain<br>Part # | RH Threshold,<br>LH Drain<br>Part # | Abbott Series<br>10 & 8mm<br><br>Chrome<br>Section 7<br>Pg. 15                       | Ruxton<br>6mm<br><br>Chrome<br>Section 7<br>Pg. 22 | Cortez / Pristina<br>8mm<br><br>Chrome<br>Section 7<br>Pg. 16-17 or 20                   | Ebony<br>6mm<br><br>Matte Black<br>Section 7<br>Pg. 18-19 |
|-------------------------------|-------------------------------------|-------------------------------------|--|--|--|---|
| 42" x 36"                     | 60044G                              | 60045G                              | See Section<br>7, Pg. 14 for<br>detailed part<br>numbers for<br>compatible<br>doors. | -  | 51803.51873  | -   |
| 60" x 30"                     | 60134G                              | 60135G                              |  |  | See Section 7,<br>Pg. 16, 17 for<br>detailed part<br>numbers for<br>compatible<br>doors. | -   |
| 60" x 32"                     | 60144G                              | 60145G                              |  |  | 51723.<br>51743.51753  |   |
| 60" x 36"                     | 60164G                              | 60165G                              |  |  | 51723.<br>51743.51773  |   |

### Replacement Grill Covers (Chrome)

24 7/8"      02999 for 60" x 30" & 60" x 32"

28 7/8"      03000 for 60" x 36"

**Please, refer to the above drawing before placing the order.**

- Price includes grill cover

- Consult technical specifications for threshold heights and drain placements

## 6 | Shower Bases Double Threshold

Right Hand  
Shown



### Minimalist Double Threshold

#### Compatible Shower Doors

| Height: 2 ½"                         |                                  |                                   |   |                                      |   |  |   |
|--------------------------------------|----------------------------------|-----------------------------------|---|--------------------------------------|---|--|---|
|                                      |                                  |                                   | <b>Abbott Series</b>                      | <b>Ruxton</b>                        | <b>Cortez</b>   | <b>Ebony</b>                                 |   |
| <b>Dimensions</b><br>(Width x Depth) | <b>Left Threshold<br/>Part #</b> | <b>Right Threshold<br/>Part #</b> | 10 & 8mm<br>Chrome<br>Section 7<br>Pg. 15 | 6mm<br>Chrome<br>Section 7<br>Pg. 22 | 8mm<br>Chrome<br>Section 7<br>Pg. 16-17 or 20   | 6mm<br>Matte Black<br>Section 7<br>Pg. 18-19 |   |
| 36" x 36"                            |                                  | 60033                             | -   | 53036                                | -   | 51723.51773                                  |   |
| 48" x 36"                            | 60106                            | 60107                             | 57063.57133                               | -                                    | See Section 7,<br>Pg. 15, 16 for<br>detailed part<br>numbers for<br>compatible<br>doors | 51723.<br>51733.51773                        |   |
| 60" x 30"                            | 60136                            | 60137                             | 57073.57103                               | -                                    |   | -  |   |
| 60" x 32"                            | 60146                            | 60147                             | 57073.57113                               | -                                    |   | 51723.<br>51743.51753                        |   |
| 60" x 34"                            | NS 60156                         | 60157                             | 57073.57123                               | -                                    |   | -  |   |
| 60" x 36"                            | 60166                            | 60167                             | 57073.57133                               | -                                    |   | 51723.<br>51743.51773                        |   |
| 66" x 32"                            | NS 60186                         | 60187                             | 57083.57113                               | -                                    |   | -  |   |
| 66" x 36"                            | NS 60206                         | 60207                             | 57083.57133                               | -                                    |   | -  |   |
| 72" x 32"                            | NS 60226                         | 60227                             | 57093.57113                               | -                                    |   | -  | - |
| 72" x 36"                            | NS 60246                         | 60247                             | 57093.57133                               | -                                    |   | -  | - |

NS: These sizes are made to order and are generally non-stocking items. Please allow for manufacturing time.  
NS models not returnable once ordered.

**Please, refer to the above drawing before placing the order.**



**Belly Round Front  
Corner**

Height: 4 1/4"

**Compatible Shower Doors (\*Chrome)**

**Gabriola**  
6mm

Section 7, Pg. 23

| Dimensions | Part# |       |
|------------|-------|-------|
| 34" x 34"  | 64010 | 50005 |
| 36" x 36"  | 64012 | 50007 |

\* Refer to shower door section for additional finish options.



**6 | Shower Bases  
Corner**



**Round Front  
Corner**

Height: 5"

| Dimensions | Part#  |
|------------|--------|
| 32" x 32"  | 62011  |
| 36" x 36"  | 62020A |
| 40" x 40"  | 62041  |

**Compatible Shower Doors (\*Chrome)**

|  | Single Door                                   | Double Door                                   |
|--|---|---|
|  | <b>Quadra 8R1</b><br>8mm<br>Section 7, Pg. 24 | <b>Quadra 8R2</b><br>8mm<br>Section 7, Pg. 25 |
|  | 50046   | 50048   |
|  | 50056   | 50058   |
|  | 50076   | 50078   |

\* Refer to shower door section for additional finish options.



**Neo-Angle  
Corner**

Height: 4"  
9 1/2" (Above floor rough-in compatible)

**Compatible Shower Doors (\*Chrome)**

**Swayze  
Single Door**  
8mm

Section 7, Pg. 26

| Dimensions                                      | Part # |       |
|---|--------|-------|
| 34" x 34" NS                                    | 61011A |       |
| 36" x 36"                                       | 61021A | 54113 |
| 36" x 36" NS<br>Above floor rough-in compatible | 61022  |       |
| 38" x 38" NS                                    | 61030  | 54123 |
| 38" x 38" NS<br>Above floor rough-in compatible | 61031  |       |
| 40" x 40" NS                                    | 61032  | 54133 |
| 42" x 42" NS                                    | 61041  | 54143 |
| 48" x 48" NS                                    | 61042  | 54153 |

NS: These sizes are made to order and are generally non-stocking items. Please allow for manufacturing time.  
NS models not returnable once ordered.

\* Refer to shower door section for additional finish options.

## 6 | Shower Bases Receptor

Left Hand Drain Shown  
# 63612



### Pender

Alcove | End Drain

Height: 22 1/2"

#### Part #

LH - 63612

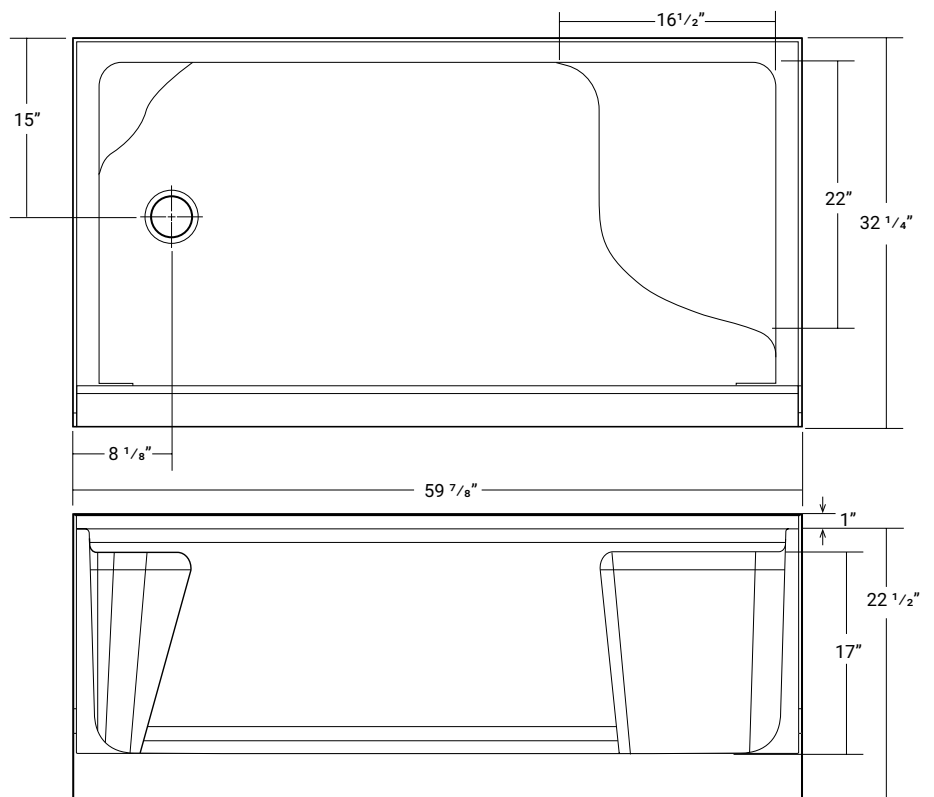
RH - 63613

#### Features

- 17" comfort height seat
- Soap shelf
- End drain
- Traditional bath replacement size
- Integral tiling flange

#### Compatible Shower Door

| Abbott 60"  | Part # |
|-------------|--------|
| Chrome      | 57073  |
| Matte Black | 57074  |



# Shower Door Index

---

## Bath Door & Screen

Abbott Series ..... 2  
Saturna..... 3

## Single Threshold

Abbott Series ..... 4  
B03 ..... 5  
Cortez Series Left Hand ..... 6  
Cortez Series Right Hand ..... 7  
Ebony Series ..... 8  
Ebony Extended Series ..... 9  
H02 Series Right Hand ..... 10  
Pristina Series..... 11  
R02 Series..... 12  
Ruxton Series ..... 13  
Ruxton Extended Series..... 14

## Double Threshold

Abbott Series ..... 15  
Cortez Series Left Hand ..... 16  
Cortez Series Right hand..... 17  
Ebony Series ..... 18  
Ebony Extended Series ..... 19  
Pristina Series..... 20  
R02 Series..... 21  
Ruxton Series ..... 22

## Corner

Gabriola ..... 23  
Quadra 8R1 ..... 24  
Quadra 8R2 ..... 25  
Swayze ..... 26

## Abbott Series

Single Threshold Rolling Door

---

The Abbott series has an easy-clean coated glass and is held by INOX stainless steel hardware for improved durability.

### Frame Style

Frameless

---

### Finish

Chrome or Brushed Nickel

---

### Door Panel

8mm tempered safety glass door

---

### Fixed Panel

10mm tempered safety glass

---

### Reversible

Yes

---



| Nominal Size** | Overall Height | Chrome # | Brushed Nickel # |
|----------------|----------------|----------|------------------|
| 60"            | 66"            | n/a      | 56039            |
| 60"            | 56"            | 56053    | n/a              |

\* Limited availability; please call before ordering

\*\* Measurements are the rough-in dimensions of the bathtub before wallboard & tiling

## Saturna

Single Threshold Bath Screen

---

The Saturna bathtub screen has an easy-clean coated glass and is held by INOX stainless steel hardware for improved durability.

### Overall Height

51 1/8"

---

### Frame Style

Frameless

---

### Finish

Chrome or Brushed Nickel

---

### Screen

6mm pivoting bath screen

---

### Reversible

Yes

---



| Finished Span | Chrome # | Brushed Nickel # |
|---------------|----------|------------------|
| 27 1/2"       | 58053    | 58050            |

**7 | Doors**  
**Single Threshold**



**Abbott Series**

Single Threshold Rolling Door

The Abbott series has an easy-clean coated glass and is held by INOX stainless steel hardware for improved durability.

**Overall Height**

78 3/4" (74 3/4" Walk-In height)

**Frame Style**

Frameless door



**Finish**

Chrome, Brushed Nickel, or Matte Black

**Door Panel**

8mm tempered safety glass door

**Fixed Panel**

10mm tempered safety glass

**Reversible**

Yes

| Nominal Base Size** | Finished Span     | Chrome # | Brushed Nickel # | Matte Black # |
|---------------------|-------------------|----------|------------------|---------------|
| 48"                 | 45 5/8" - 46 5/8" | 57063    | n/a              | 57064         |
| 60"                 | 57 5/8" - 58 5/8" | 57073    | n/a              | 57074         |
| 66"                 | 63 5/8" - 64 5/8" | 57083    | 57080            | n/a           |
| 72"                 | 69 5/8" - 70 5/8" | 57093    | 57090            | n/a           |

\*\* Measurements relate to the matching shower base sizes at rough-in stage (pre-finishing)

## B03

Single Threshold  
Sliding Bypass Door

---

The B03 sliding door is held by INOX stainless steel hardware for improved durability.

### Frame Style

Semi-Frameless

---

### Finish

Chrome or brushed nickel

---

### Door Panel

8mm tempered safety glass door

---

### Reversible

No

---



| Nominal Base Size** | Overall Height | Chrome # | Brushed Nickel # |
|---------------------|----------------|----------|------------------|
| 60"                 | 74"            | 51024    | 51022            |
| 60"                 | 66"            | 51027    | n/a              |

\* Limited availability; please call before ordering

\*\* Measurements relate to the matching shower base sizes at rough-in stage (pre-finishing)





## Cortez Series Left Hand Door

Single Threshold Hinged Door

The Cortez series has an easy-clean coated glass and is held by INOX stainless steel hardware for improved durability.

### Overall Height

78 ¾" (77 ½" Walk-In height)

### Frame Style

Semi-Frameless

### Finish

Chrome

### Door Panel

8mm tempered safety glass door

### Fixed Panel

8mm tempered safety glass

### Reversible

No

| Nominal Base Size** | Finished Span | LH Door #   |
|---------------------|---------------|-------------|
| 42"                 | 39 ¾" - 40 ⅛" | 51603.S42LH |
| 48"                 | 43 ⅝" - 46 ⅜" | 51603.S48LH |
| 60"                 | 57 ¾" - 58 ⅛" | 51613.S60LH |
| 66"                 | 63 ¾" - 64 ⅛" | 51613.S66LH |

\*\* Measurements relate to the matching shower base sizes at rough-in stage (pre-finishing)

## Cortez Series Right Hand Door

Single Threshold Hinged Door

The Cortez series has an easy-clean coated glass and is held by INOX stainless steel hardware for improved durability.

### Overall Height

78  $\frac{3}{4}$ " (77  $\frac{1}{2}$ " Walk-In height)

### Frame Style

Semi-Frameless

### Finish

Chrome

### Door Panel

8mm tempered safety glass door

### Fixed Panel

8mm tempered safety glass

### Reversible

No



| Nominal Base Size** | Finished Span                           | RH Door #   |
|---------------------|---|-------------|
| 48"                 | 43 $\frac{5}{8}$ " - 46 $\frac{3}{8}$ " | 51606.S48RH |
| 60"                 | 57 $\frac{3}{4}$ " - 58 $\frac{1}{8}$ " | 51616.S60RH |
| 66"                 | 63 $\frac{3}{4}$ " - 64 $\frac{1}{8}$ " | 51616.S66RH |

\*\* Measurements relate to the matching shower base sizes at rough-in stage (pre-finishing)

7 | Doors  
Single Threshold



## Ebony Series

Single Threshold Pivot Door

---

The Ebony series has an easy-clean coated glass and is held by INOX stainless steel hardware for improved durability.

### Overall Height

78 ¾"

---

### Frame Style

Framed

---

### Finish

Matte Black

---

### Door Panel

6mm tempered safety glass door

---

### Reversible

Yes

---

---

### Nominal Base Size\*\*

36"

### Finished Span

33 ⅛" - 34 ⅜"

### Matte Black #

51723

---

\*\* Measurements relate to the matching shower base sizes at rough-in stage (pre-finishing)

## Ebony Extended Series

Single Threshold Pivot Door

The Ebony extended series has an easy-clean coated glass and is held by INOX stainless steel hardware for improved durability.

### Overall Height

78  $\frac{3}{4}$ "

### Frame Style

Framed

### Finish

Matte Black

### Door Panel

6mm tempered safety glass door

### Fixed Panel

6mm tempered safety glass

### Reversible

Yes



| Nominal Base Size** | Finished Span                           | Matte Black # |
|---------------------|---|---------------|
| 48"                 | 45 $\frac{1}{8}$ " - 46 $\frac{3}{8}$ " | 51723.51733   |
| 60"                 | 57 $\frac{1}{8}$ " - 58 $\frac{3}{8}$ " | 51723.51743   |

\*\* Measurements relate to the matching shower base sizes at rough-in stage (pre-finishing)



## H02 Series Right Hand Door Only

Single Threshold Hinged Door

The H02 series has an easy-clean coated glass and is held by INOX stainless steel hardware for improved durability.

### Overall Height

74"

### Frame Style

Frameless

### Finish

Chrome

### Door Panel (Right Hand Only)

8mm tempered safety glass door

### Fixed Panel

8mm tempered safety glass

### Reversible

No

### Nominal Base Size\*\*

42"

60"

### Finished Span

39 1/2" - 41 1/2"

57" - 59"

### RH Door #

57001

57005

\*\* Measurements relate to the matching shower base sizes at rough-in stage (pre-finishing)

## Pristina Series

Single Threshold Hinged Door

The Pristina series has an easy-clean coated glass and is held by INOX stainless steel hardware for improved durability.

### Overall Height

78 <sup>3</sup>/<sub>4</sub>"

### Frame Style

Frameless

### Finish

Chrome

### Door Panel

8mm tempered safety glass door

### Fixed Panel

8mm tempered safety glass

### Reversible

Yes



| Nominal Base Size** | Finished Span | Chrome # |
|---------------------|---------------|----------|
| 42"                 | 40"±1/4"      | 51803    |

\*\* Measurements relate to the matching shower base sizes at rough-in stage (pre-finishing)

**7 | Doors**  
**Single Threshold**

## R02 Series

Single Threshold Rolling Door

---

The R02 series is held by INOX stainless steel hardware for improved durability.

**Overall Height**

78 ¾"

---

**Frame Style**

Frameless

---

**Finish**

Chrome

---

**Door Panel**

12mm tempered safety glass door

---

**Reversible**

Yes

---



| Nominal Base Size** | Finished Span | Chrome # | Brushed Nickel # |
|---------------------|---------------|----------|------------------|
| 48"                 | 45 ¼" - 46 ⅛" | n/a      | 51240            |
| 60"                 | 57 ¼" - 58 ⅛" | 51253    | 51250            |

\* Limited availability; please call before ordering.

\*\* Measurements relate to the matching shower base sizes at rough-in stage (pre-finishing)



## Ruxton Series

Single Threshold Pivot Door

The Ruxton series has an easy-clean coated glass and is held by INOX stainless steel hardware for improved durability.

### Overall Height

72 7/8"

### Frame Style

Frameless

### Finish

Chrome, Brushed Nickel, or Matte Black

### Door Panel

6mm tempered safety glass door

### Reversible

Yes

| Nominal Base Size** | Chrome # | Brushed Nickel # | Matte Black # |
|---------------------|----------|------------------|---------------|
| 32"                 | 51106    | n/a              | n/a           |
| 34"                 | 51126    | n/a              | n/a           |
| 36"                 | 51146    | 51147            | 51144         |

\* Limited availability of Brushed Nickel finish; please call before ordering.

\*\* Measurements relate to the matching shower base sizes at rough-in stage (pre-finishing)



**7 | Doors**  
**Single Threshold**



**Ruxton Extended Series**

Single Threshold Pivot Door

The Ruxton series has an easy-clean coated glass and is held by INOX stainless steel hardware for improved durability.

**Overall Height**

72 7/8"

**Frame Style**

Frameless

**Finish**

Chrome or Matte Black

**Door Panel**

6mm tempered safety glass door

**Door Opening**

25 7/8"

**Fixed Panel**

6mm tempered safety glass

**Reversible**

Yes

| Nominal Base Size** | Finished Span     | Chrome # | Matte Black # |
|---------------------|-------------------|----------|---------------|
| 42"                 | 39 1/4" - 40 1/2" | 51166    | 51168         |
| 48"                 | 45 1/4" - 46 1/2" | 51184    | n/a           |

\*\* Measurements are the rough-in shower base sizes



## Abbott Series

Double Threshold Rolling Door

### Overall Height

78 ¾" (74 ⅜ Walk-In height)

### Frame Style

Frameless door

### Door Panel

8mm tempered safety glass door

### Fixed Panel

10mm tempered safety glass

### Reversible

Yes

| Nominal Base Size** | Nominal Return Size | Chrome #    | Brushed Nickel # | Matte Black # |
|---------------------|---------------------|-------------|------------------|---------------|
| 48"                 | 30"                 | 57063.57103 | n/a              | n/a           |
|                     | 32"                 | 57063.57113 | n/a              | 57064.57114   |
|                     | 34"                 | 57063.57123 | n/a              | n/a           |
|                     | 36"                 | 57063.57133 | n/a              | 57064.57134   |
| 60"                 | 30"                 | 57073.57103 | n/a              | n/a           |
|                     | 32"                 | 57073.57113 | n/a              | 57074.57114   |
|                     | 34"                 | 57073.57123 | n/a              | n/a           |
|                     | 36"                 | 57073.57133 | n/a              | 57074.57134   |
| 66"                 | 30"                 | 57083.57103 | 57080.57100      | n/a           |
|                     | 32"                 | 57083.57113 | 57080.57110      | n/a           |
|                     | 34"                 | 57083.57123 | 57080.57120      | n/a           |
|                     | 36"                 | 57083.57133 | 57080.57130      | n/a           |
| 72"                 | 30"                 | 57093.57103 | 57090.57100      | n/a           |
|                     | 32"                 | 57093.57113 | 57090.57110      | n/a           |
|                     | 34"                 | 57093.57123 | 57090.57120      | n/a           |
|                     | 36"                 | 57093.57133 | 57090.57130      | n/a           |

\*\* Measurements relate to the matching Acritec shower base sizes at rough-in stage (pre-finished)

**7 | Doors**  
**Double Threshold**

# Cortez Series, Left hand

Double Threshold Hinged Door

**Overall Height**

78 ¾" (77 ½ Walk-In height)

**Frame Style**

Semi-Frameless

**Door Panel**

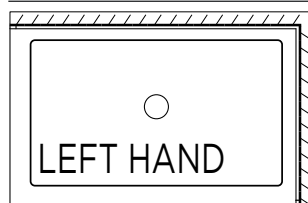
8mm tempered safety glass door

**Fixed Panel**

8mm tempered safety glass

**Reversible**

No



| Nominal Base Size** | Nominal Return Size | LH Threshold #    |
|---------------------|---------------------|-------------------|
| 42"                 | 30"                 | 51603.S42LH.51643 |
|                     | 32"                 | 51603.S42LH.51653 |
|                     | 34"                 | 51603.S42LH.51663 |
|                     | 36"                 | 51603.S42LH.51673 |
| 48"                 | 30"                 | 51603.S48LH.51643 |
|                     | 32"                 | 51603.S48LH.51653 |
|                     | 34"                 | 51603.S48LH.51663 |
|                     | 36"                 | 51603.S48LH.51673 |
| 60"                 | 30"                 | 51613.S60LH.51643 |
|                     | 32"                 | 51613.S60LH.51653 |
|                     | 34"                 | 51613.S60LH.51663 |
|                     | 36"                 | 51613.S60LH.51673 |
| 66"                 | 30"                 | 51613.S66LH.51643 |
|                     | 32"                 | 51613.S66LH.51653 |
|                     | 34"                 | 51613.S66LH.51663 |
|                     | 36"                 | 51613.S66LH.51673 |

\*\* Measurements relate to the matching shower base sizes at rough-in stage (pre-finishing)



## Cortez Series, Right Hand

Double Threshold Hinged Door

### Overall Height

78 ¾" (77 ½ Walk-In height)

### Frame Style

Semi-Frameless

### Door Panel

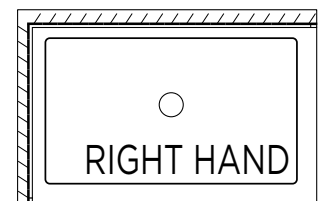
8mm tempered safety glass door

### Fixed Panel

8mm tempered safety glass

### Reversible

No



| Nominal Base Size** | Nominal Return Size | RH Threshold #    |
|---------------------|---------------------|-------------------|
| 48"                 | 30"                 | 51606.S48RH.51643 |
|                     | 32"                 | 51606.S48RH.51653 |
|                     | 34"                 | 51606.S48RH.51663 |
|                     | 36"                 | 51606.S48RH.51673 |
| 60"                 | 30"                 | 51616.S60RH.51643 |
|                     | 32"                 | 51616.S60RH.51653 |
|                     | 34"                 | 51616.S60RH.51663 |
|                     | 36"                 | 51616.S60RH.51673 |
| 66"                 | 30"                 | 51616.S66RH.51643 |
|                     | 32"                 | 51616.S66RH.51653 |
|                     | 34"                 | 51616.S66RH.51663 |
|                     | 36"                 | 51616.S66RH.51673 |

\*\* Measurements relate to the matching shower base sizes at rough-in stage (pre-finishing)

**7 | Doors**  
**Double Threshold**

## **Ebony Series**

Double Threshold Pivot Door

---

The Ebony series has an easy-clean coated glass and is held by INOX stainless steel hardware for improved durability.

**Overall Height**

78 ¾"

---

**Frame Style**

Framed

---

**Finish**

Matte Black

---

**Door Panel**

6mm tempered safety glass door

---

**Fixed Panel**

6mm tempered safety glass

---

**Reversible**

Yes

---



---

**Nominal Base Size\*\***

36"

**Nominal Return Size**

36"

**Matte Black #**

51723.51773

\*\* Measurements relate to the matching shower base sizes at rough-in stage (pre-finishing)



## Ebony Extended Series

Double Threshold Pivot Door

The Ebony extended series has an easy-clean coated glass and is held by INOX stainless steel hardware for improved durability.

### Overall Height

78 ¾"

### Frame Style

Framed

### Finish

Matte Black

### Door Panel

6mm tempered safety glass door

### Fixed Panel

6mm tempered safety glass

### Reversible

Yes

| Nominal Base Size** | Nominal Return Size | Matte Black #     |
|---------------------|---------------------|-------------------|
| 48"                 | 32"                 | 51723.51733.51753 |
|                     | 36                  | 51723.51733.51773 |
| 60"                 | 32"                 | 51723.51743.51753 |
|                     | 36"                 | 51723.51743.51773 |

\*\* Measurements relate to the matching shower base sizes at rough-in stage (pre-finishing)

**7 | Doors**  
**Double Threshold**

## Pristina Series

Double Threshold Hinged Door

---

The Pristina series has an easy-clean coated glass and is held by INOX stainless steel hardware for improved durability.

**Overall Height**

78 ¾"

---

**Frame Style**

Frameless

---

**Finish**

Chrome

---

**Door Panel**

8mm tempered safety glass door

---

**Fixed Panel**

8mm tempered safety glass

---

**Reversible**

Yes

---



**Nominal Base Size\*\***

42"

**Nominal Return Size**

36"

**Chrome #**

51803.51873

\*\* Measurements relate to the matching shower base sizes at rough-in stage (pre-finishing)



## R02 Series

Double Threshold Rolling Door

The R02 series is held by INOX stainless steel hardware for improved durability

### Overall Height

78 ¾"

### Frame Style

Frameless

### Finish

Chrome or Brushed Nickel

### Door Panel

12mm tempered safety glass door

### Fixed Panel

12mm tempered safety glass

### Reversible

Yes

| Nominal Base Size** | Nominal Return Size | Chrome #    | Brushed Nickel # |
|---------------------|---------------------|-------------|------------------|
| 48"                 | 30"                 | n/a         | 51240.53167      |
|                     | 32"                 | n/a         | 51240.53170      |
|                     | 34                  | n/a         | 51240.53180      |
|                     | 36                  | n/a         | 51240.53190      |
| 60"                 | 30"                 | 51253.53166 | 51250.53167      |
|                     | 32"                 | 51253.53173 | 51250.53170      |
|                     | 34"                 | 51253.53183 | 51250.53180      |
|                     | 36"                 | 51253.53193 | 51250.53190      |

Note: Fixed panels must be installed directly against the walls. The door panel can't be installed adjacent to a wall

\* Limited availability; please call before ordering

\*\* Measurements relate to the matching shower base sizes at rough-in stage (pre-finished)



**7 | Doors**  
**Double Threshold**



**Ruxton Series**

Double Threshold Pivot Door

The Ruxton series has an easy-clean coated glass and is held by INOX stainless steel hardware for improved durability

**Overall Height**

72 7/8"

**Frame Style**

Frameless

**Finish**

Chrome, Brushed Nickel, Matte Black

**Door Panel**

6mm tempered safety glass door

**Fixed Panel**

6mm tempered safety glass

**Reversible**

Yes

| Nominal Base Size ** | Chrome # | Brushed Nickel # | Matte Black # |
|----------------------|----------|------------------|---------------|
| 32" x 32"            | 53016    | 53017            | n/a           |
| 34" x 34"            | 53028    | 53027            | n/a           |
| 36" x 36"            | 53036    | n/a              | 53034         |
| 36" x 32" (36" Door) | 53046    | n/a              | n/a           |

\*\* Measurements relate to the matching shower base sizes at rough-in stage (pre-finishing)

# Gabriola

Corner Belly Base Rolling Door

The Gabriola series has an easy-clean coated glass and is held by INOX stainless steel hardware for improved durability

**Overall Height**

72 7/8"

**Frame Style**

Frameless

**Finish**

Chrome

**Door Panel**

6mm tempered safety glass door

**Fixed Panel**

6mm tempered safety glass

**Reversible**

Yes



| Nominal Base Size** | Chrome # |
|---------------------|----------|
| 34" x 34"           | 50005    |
| 36" x 36"           | 50007    |

\*\* Measurements relate to the matching shower base sizes at rough-in stage (pre-finished)



## Quadra 8R1

Corner Round Front Sliding Door

---

The Quadra series has an easy-clean coated glass and is held by INOX stainless steel hardware for improved durability.

### Overall Height

78"

---

### Frame Style

Semi-Frameless

---

### Finish

Chrome

---

### Door Panel

8mm tempered safety glass door

---

### Reversible

Yes

---

| Nominal Base Size** | Chrome # |
|---------------------|----------|
| 32" x 32"           | 50046    |
| 36" x 36"           | 50056    |
| 40" x 40"           | 50076    |

\*\* Measurements relate to the matching shower base sizes at rough-in stage (pre-finishing)

## Quadra 8R2

Corner Double Sliding Door

The Quadra series has an easy-clean coated glass and is held by INOX stainless steel hardware for improved durability.

### Overall Height

78"

### Frame Style

Semi-Frameless

### Finish

Chrome

### Door Panel

8mm tempered safety glass door

### Reversible

Yes



| Nominal Base Size** | Chrome # |
|---------------------|----------|
| 32" x 32"           | 50048    |
| 36" x 36"           | 50058    |
| 40" x 40"           | 50078    |

\*\* Measurements relate to the matching shower base sizes at rough-in stage (pre-finishing)



## Swayze

Corner Neo-Angle Pivot Door

The Swayze has an easy-clean coated glass and is held by INOX stainless steel hardware for improved durability.

### Overall Height

74"

### Frame Style

Semi-Frameless

### Finish

Chrome

### Door Panel

8mm tempered safety glass door

### Handle & Hinger Finish

Chrome

### Reversible

Yes

| Nominal Base Size** | Chrome # | Brushed Nickel # |
|---------------------|----------|------------------|
| 36" x 36"           | 54113    | 54110            |
| 38" X 38"           | 54123    | 54120            |
| 40" X 40"           | 54133    | 54130            |
| 42" x 42"           | 54143    | 54140            |
| 48" x 48"           | 54153    | 54150            |

Handle & Hinger Finish : Chrome

\*\* Measurements relate to the matching shower base sizes at rough-in stage (pre-finishing)

# Basin Index

## Basins - White unless otherwise indicated

### Counter-Top

|             |   |                  |    |                |    |
|-------------|---|------------------|----|----------------|----|
| 36400.....  | 2 | 36439.....       | 6  | 36646.....     | 10 |
| 36402.....  | 2 | 36447.....       | 6  | 36647.....     | 11 |
| 36403.....  | 2 | 36461.....       | 6  | 36647-BLK..... | 11 |
| 36405.....  | 2 | 36490.....       | 7  | 36647-GRN..... | 11 |
| 36407.....  | 3 | 36501/04/08..... | 7  | 36647-GRY..... | 11 |
| 36412.....  | 3 | 36511/14.....    | 7  | 36648.....     | 12 |
| 36415.....  | 3 | 36519.....       | 7  | 36649.....     | 12 |
| 36417L..... | 3 | 36552.....       | 8  | 36650.....     | 12 |
| 36420.....  | 4 | 36560.....       | 8  | 36651.....     | 12 |
| 36422.....  | 4 | 36563.....       | 8  | 36652.....     | 13 |
| 36423.....  | 4 | 36642.....       | 8  | 36652-BLK..... | 13 |
| 36424.....  | 4 | 36643.....       | 9  | 36652-GRN..... | 13 |
| 36425.....  | 5 | 36643-BLK.....   | 9  | 36652-GRY..... | 13 |
| 36427.....  | 5 | 36643-GRN.....   | 9  | 36653.....     | 14 |
| 36428.....  | 5 | 36643-GRY.....   | 9  | 36654.....     | 14 |
| 36430.....  | 5 | 36644.....       | 10 |                |    |
| 36432.....  | 6 | 36645.....       | 10 |                |    |

### Drop-In

|            |    |                  |    |                  |    |
|------------|----|------------------|----|------------------|----|
| 36771..... | 15 | 36811/14/18..... | 15 | 36861/64/68..... | 15 |
|------------|----|------------------|----|------------------|----|

### Undermount

|            |    |             |    |            |    |
|------------|----|-------------|----|------------|----|
| 36905..... | 16 | 36955.....  | 17 | 36990..... | 18 |
| 36925..... | 16 | 36960.....  | 17 | 04000..... | 18 |
| 36940..... | 16 | 36970C..... | 17 |            |    |
| 36950..... | 17 | 36977.....  | 18 |            |    |
|            |    | 36981C..... | 18 |            |    |

### Pure Basin

|                         |    |                    |    |
|-------------------------|----|--------------------|----|
| Single Offset Bowl..... | 19 | Semi Recessed..... | 21 |
| Double Bowl.....        | 20 | Single Bowl.....   | 21 |

8 | Basins  
Counter-Top



## 36400

**Dimensions**

24 <sup>3</sup>/<sub>4</sub>" x 15 <sup>3</sup>/<sub>4</sub>" x 7"

**Back**

Finished

**Overflow**

Yes

**Faucet Hole**

None

**Profile**

Standard



## 36402

**Dimensions**

16" x 16" x 5"

**Back**

Finished

**Overflow**

No

**Faucet Hole**

None

**Profile**

Ultra Thin



## 36403

**Dimensions**

16 <sup>7</sup>/<sub>8</sub>" x 16 <sup>7</sup>/<sub>8</sub>" x 5 <sup>7</sup>/<sub>8</sub>"

**Back**

Finished

**Overflow**

No

**Faucet Hole**

None

**Profile**

Standard



## 36405

**Dimensions**

22" x 19 <sup>3</sup>/<sub>4</sub>" x 5 <sup>1</sup>/<sub>4</sub>"

**Back**

Finished

**Overflow**

Yes

**Faucet Hole**

None

**Profile**

Standard

### 36407

**Dimensions**

23" x 17" x 3"

---

**Overflow**

Yes

---

**Profile**

Standard

---

**Back**

Unfinished

---

**Faucet Hole**

Single

---



### 36412

**Dimensions**

23 1/2" x 19" x 7 3/4"

---

**Overflow**

Yes

---

**Profile**

Standard

---

**Back**

Unfinished

---

**Faucet Hole**

Single

---



### 36415

**Dimensions**

16" x 16" x 5 1/8"

---

**Overflow**

No

---

**Profile**

Standard

---

**Back**

Finished

---

**Faucet Hole**

None

---



### 36417L

**Dimensions**

23 7/8" x 15 3/4" x 7 1/8"

---

**Overflow**

Yes

---

**Profile**

Standard

---

**Back**

Finished

---

**Faucet Hole**

None

---





8 | Basins  
Counter-Top



## 36420

**Dimensions**

15  $\frac{3}{4}$ " x 15  $\frac{3}{4}$ " x 4  $\frac{1}{2}$ "

---

**Overflow**

No

---

**Profile**

Standard

---

**Back**

Finished

---

**Faucet Hole**

None

---



## 36422

**Dimensions**

16  $\frac{1}{2}$ " x 16  $\frac{1}{2}$ " x 5"

---

**Overflow**

Yes

---

**Profile**

Ultra Thin

---

**Back**

Unfinished

---

**Faucet Hole**

Single

---



## 36423

**Dimensions**

19  $\frac{5}{8}$ " x 16  $\frac{1}{2}$ " x 5"

---

**Overflow**

Yes

---

**Profile**

Ultra-Thin

---

**Back**

Unfinished

---

**Faucet Hole**

Single

---



## 36424

**Dimensions**

23  $\frac{1}{2}$ " x 17" x 5"

---

**Overflow**

Yes

---

**Profile**

Ultra-Thin

---

**Back**

Unfinished

---

**Faucet Hole**

Single

---

## 36425

**Dimensions**

23 ¼" x 16 ¼" x 4"

---

**Overflow**

No

---

**Profile**

Standard

---

**Back**

Finished

---

**Faucet Hole**

None

---



## 36427

**Dimensions**

17 ¾" x 17 ¾" x 4 ¾"

---

**Overflow**

No

---

**Profile**

Standard

---

**Back**

Finished

---

**Faucet Hole**

None

---



## 36428

**Dimensions**

16 ⅞" x 16 ⅞" x 5 ½"

---

**Overflow**

No

---

**Profile**

Standard

---

**Back**

Finished

---

**Faucet Hole**

None

---



## 36430

**Dimensions**

24 ¾" x 15 ¾" x 5 ¼"

---

**Overflow**

No

---

**Profile**

Standard

---

**Back**

Finished

---

**Faucet Hole**

None

---



8 | Basins  
Counter-Top



## 36432

**Dimensions**

15  $\frac{3}{4}$ " x 15  $\frac{3}{4}$ " x 6  $\frac{1}{4}$ "

---

**Overflow**

No

---

**Profile**

Standard

---

**Back**

Finished

---

**Faucet Hole**

None

---



## 36439

**Dimensions**

23  $\frac{1}{2}$ " x 18  $\frac{1}{2}$ " x 5  $\frac{1}{4}$ "

---

**Overflow**

Yes

---

**Profile**

Standard

---

**Back**

Unfinished

---

**Faucet Hole**

Single

---



## 36447

**Dimensions**

19  $\frac{3}{4}$ " x 14  $\frac{1}{4}$ " x 6"

---

**Overflow**

Yes

---

**Profile**

Standard

---

**Back**

Unfinished

---

**Faucet Hole**

None

---



## 36461

**Dimensions**

19  $\frac{1}{2}$ " x 19  $\frac{1}{2}$ " x 5  $\frac{1}{2}$ "

---

**Overflow**

Yes

---

**Profile**

Standard

---

**Back**

Unfinished

---

**Faucet Hole**

Single

---

# 36490

**Dimensions**

19" x 19" x 7 1/2"

**Overflow**

Yes

**Profile**

Standard

**Back**

Finished

**Faucet Hole**

None



# 36501-1H 36504-4"cc 36508-8"cc

**Dimensions**

18" x 18" x 6 1/4"

**Overflow**

Yes

**Profile**

Standard

**Back**

Unfinished

**Faucet Hole**

Multiple Options



# 36511-1H 36514-4"cc

**Dimensions**

18 1/2" x 18 1/2" x 6"

**Overflow**

Yes

**Profile**

Standard

**Back**

Unfinished

**Faucet Hole**

Multiple Options



# 36519

**Dimensions**

28 3/4" x 19 3/4" x 6 1/4"

**Overflow**

Yes

**Profile**

Standard

**Back**

Unfinished

**Faucet Hole**

None



8 | Basins  
Counter-Top



## 36552

**Dimensions**

18 ¼" x 18 ¼" x 6 ¼"

**Back**

Unfinished

**Overflow**

Yes

**Faucet Hole**

Single

**Profile**

Standard



## 36560

**Dimensions**

22 ¾" x 14 ¾" x 6 ¼"

**Back**

Finished

**Overflow**

No

**Faucet Hole**

None

**Profile**

Standard



## 36563

**Dimensions**

23 ¾" x 16 ¼" x 4"

**Back**

Finished

**Overflow**

No

**Faucet Hole**

None

**Profile**

Standard



## 36642

**Dimensions**

23 ½" x 15 ½" x 5 ¾"

**Back**

Finished

**Overflow**

No

**Faucet Hole**

None

**Profile**

Ultra Thin

## 36643

### Dimensions

19" x 15 1/2" x 5 1/2"

### Overflow

No

### Profile

Ultra Thin

### Back

Finished

### Faucet Hole

None

### Finish

Gloss



## 36643-BLK

### Dimensions

19" x 15 1/2" x 5 1/2"

### Overflow

No

### Colour

Black

### Back

Finished

### Faucet Hole

None

### Finish

Matte



## 36643-GRN

### Dimensions

19" x 15 1/2" x 5 1/2"

### Overflow

No

### Colour

Green

### Back

Finished

### Faucet Hole

None

### Finish

Matte



## 36643-GRY

### Dimensions

19" x 15 1/2" x 5 1/2"

### Overflow

No

### Colour

Grey

### Back

Finished

### Faucet Hole

None

### Finish

Matte



**8 | Basins  
Counter-Top**



**36644**

**Dimensions**

14 5/8" x 14 5/8" x 4 1/2"

**Back**

Finished

**Overflow**

No

**Faucet Hole**

None

**Profile**

Ultra Thin



**36645**

**Dimensions**

24" x 16" x 4 1/2"

**Back**

Finished

**Overflow**

No

**Faucet Hole**

None

**Profile**

Ultra Thin



**36646**

**Dimensions**

19 5/8" x 15 3/4" x 4 3/8"

**Back**

Finished

**Overflow**

No

**Faucet Hole**

None

**Profile**

Ultra Thin

## 36647

**Dimensions**

14 ¼" x 14 ¼" x 4 ¼"

---

**Overflow**

No

---

**Profile**

Ultra Thin

---

**Back**

Finished

---

**Faucet Hole**

None

---

**Finish**

Gloss

---



## 36647-BLK

**Dimensions**

14 ¼" x 14 ¼" x 4 ¼"

---

**Overflow**

No

---

**Colour**

Black

---

**Back**

Finished

---

**Faucet Hole**

None

---

**Finish**

Matte

---



## 36647-GRN

**Dimensions**

14 ¼" x 14 ¼" x 4 ¼"

---

**Overflow**

No

---

**Colour**

Green

---

**Back**

Finished

---

**Faucet Hole**

None

---

**Finish**

Matte

---



## 36647-GRY

**Dimensions**

14 ¼" x 14 ¼" x 4 ¼"

---

**Overflow**

No

---

**Colour**

Green

---

**Back**

Finished

---

**Faucet Hole**

None

---

**Finish**

Matte

---





8 | Basins  
Counter-Top



## 36648

**Dimensions**

18 1/2" x 14 1/8" x 4 3/8"

**Back**

Finished

**Overflow**

No

**Faucet Hole**

None

**Profile**

Ultra Thin



## 36649

**Dimensions**

18 1/4" x 18 1/4" x 4"

**Back**

Finished

**Overflow**

No

**Faucet Hole**

Single

**Profile**

Ultra Thin



## 36650

**Dimensions**

18 1/4" x 18 1/4" x 3 1/2"

**Back**

Finished

**Overflow**

No

**Faucet Hole**

Single

**Profile**

Ultra Thin



## 36651

**Dimensions**

19 7/8" x 15 1/8" x 4 3/4"

**Back**

Finished

**Overflow**

No

**Faucet Hole**

Single

**Profile**

Ultra Thin

### 36652

**Dimensions**

14" x 14" x 4 1/2"

---

**Overflow**

No

---

**Profile**

Ultra Thin

---

**Back**

Finished

---

**Faucet Hole**

None

---

**Finish**

Gloss

---



### 36652-BLK

**Dimensions**

14" x 14" x 4 1/2"

---

**Overflow**

No

---

**Profile**

Ultra Thin

---

**Back**

Finished

---

**Faucet Hole**

None

---

**Finish**

Matte

---



### 36652-GRN

**Dimensions**

14" x 14" x 4 1/2"

---

**Overflow**

No

---

**Profile**

Ultra Thin

---

**Back**

Finished

---

**Faucet Hole**

None

---

**Finish**

Matte

---



### 36652-GRY

**Dimensions**

14" x 14" x 4 1/2"

---

**Overflow**

No

---

**Profile**

Ultra Thin

---

**Back**

Finished

---

**Faucet Hole**

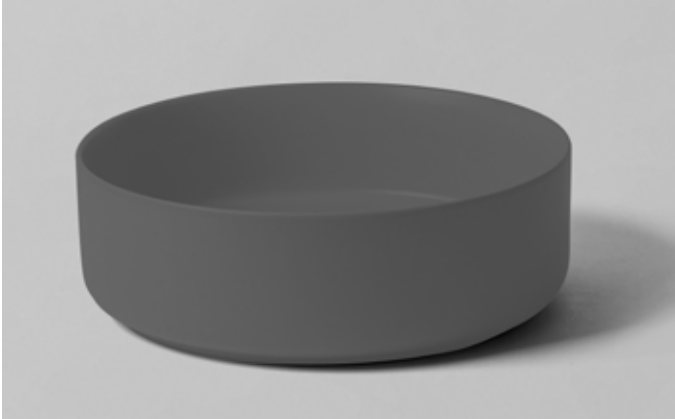
None

---

**Finish**

Matte

---



8 | Basins  
Counter-Top



### 36653

**Dimensions**

17  $\frac{3}{4}$ " x 17  $\frac{3}{4}$ " x 4  $\frac{1}{8}$ "

---

**Overflow**

No

---

**Profile**

Ultra Thin

---

**Back**

Finished

---

**Faucet Hole**

Single

---



### 36654

**Dimensions**

17  $\frac{3}{8}$ " x 17  $\frac{3}{8}$ " x 5  $\frac{1}{2}$ "

---

**Overflow**

No

---

**Profile**

Ultra Thin

---

**Back**

Finished

---

**Faucet Hole**

None

---

## 36771

### Dimensions

16  $\frac{3}{8}$ " x 16  $\frac{3}{8}$ " x 7"

---

### Overflow

Yes

---

### Faucet Hole

Single

---



## 36811-1H 36814-4"cc 36818-8"cc

### Dimensions

16  $\frac{3}{8}$ " x 16  $\frac{3}{8}$ " x 7"

---

### Overflow

Yes

---

### Faucet Hole

Multiple Options

---



## 36861-1H 36864-4"cc 36868-8"cc

### Dimensions

21" x 17  $\frac{7}{8}$ " x 7  $\frac{3}{8}$ "

---

### Overflow

Yes

---

### Faucet Hole

Multiple Options

---



**8 | Basins  
Undermount**



**36905**

**Dimensions**

17 3/4" x 15" x 7 1/4"

**Shape**

Oval

**Overflow**

Yes

**Profile**

Curved



**36925**

**Dimensions**

21 7/8" x 17 3/8" x 7 3/4"

**Shape**

Oval

**Overflow**

Yes

**Profile**

Curved



**36940**

**Dimensions**

17 1/8" x 17 1/8" x 7 1/2"

**Shape**

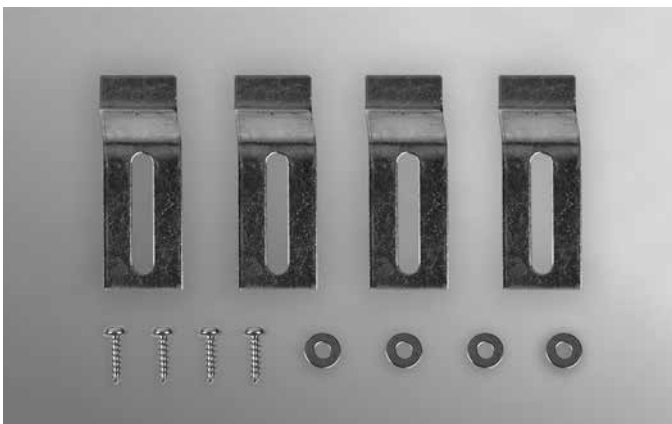
Square

**Overflow**

Yes

**Profile**

Curved (Scooped Front)



**04000**

**Description**

Undermount Installation Kit

## 36950

**Dimensions**

20 <sup>5</sup>/<sub>8</sub>" x 14 <sup>5</sup>/<sub>8</sub>" x 8"

---

**Overflow**

Yes

---

**Shape**

Rectilinear

---

**Profile**

Curved

---



## 36955

**Dimensions**

22" x 15" x 7"

---

**Overflow**

Yes

---

**Shape**

Rectilinear

---

**Profile**

Curved

---



## 36960

**Dimensions**

19" x 16 <sup>1</sup>/<sub>4</sub>" x 6 <sup>3</sup>/<sub>4</sub>"

---

**Overflow**

Yes

---

**Shape**

Oval

---

**Profile**

Curved

---



## 36970C

**Dimensions**

19 <sup>7</sup>/<sub>8</sub>" x 15 <sup>3</sup>/<sub>4</sub>" x 7"

---

**Overflow**

Yes

---

**Shape**

Rectilinear

---

**Profile**

Angular

---



**8 | Basins  
Undermount**



**36977**

**Dimensions**

18" x 14" x 7 1/8"

**Shape**

Rectilinear

**Overflow**

Yes

**Profile**

Angular



**36981C**

**Dimensions**

16" x 16" x 7"

**Shape**

Rectilinear

**Overflow**

Yes

**Profile**

Angular



**36990**

**Dimensions**

16 1/4" x 16 1/4" x 6 3/4"

**Shape**

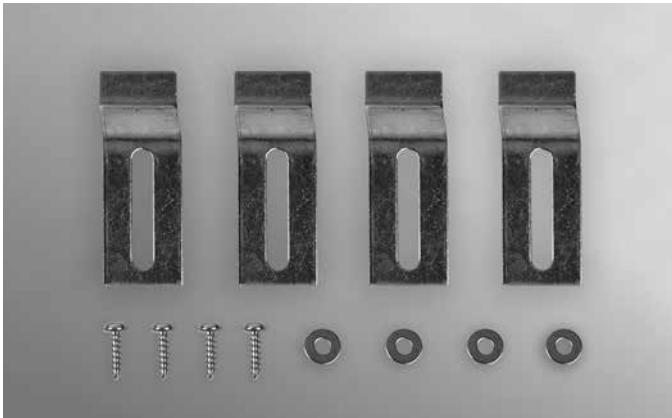
Square

**Overflow**

Yes

**Profile**

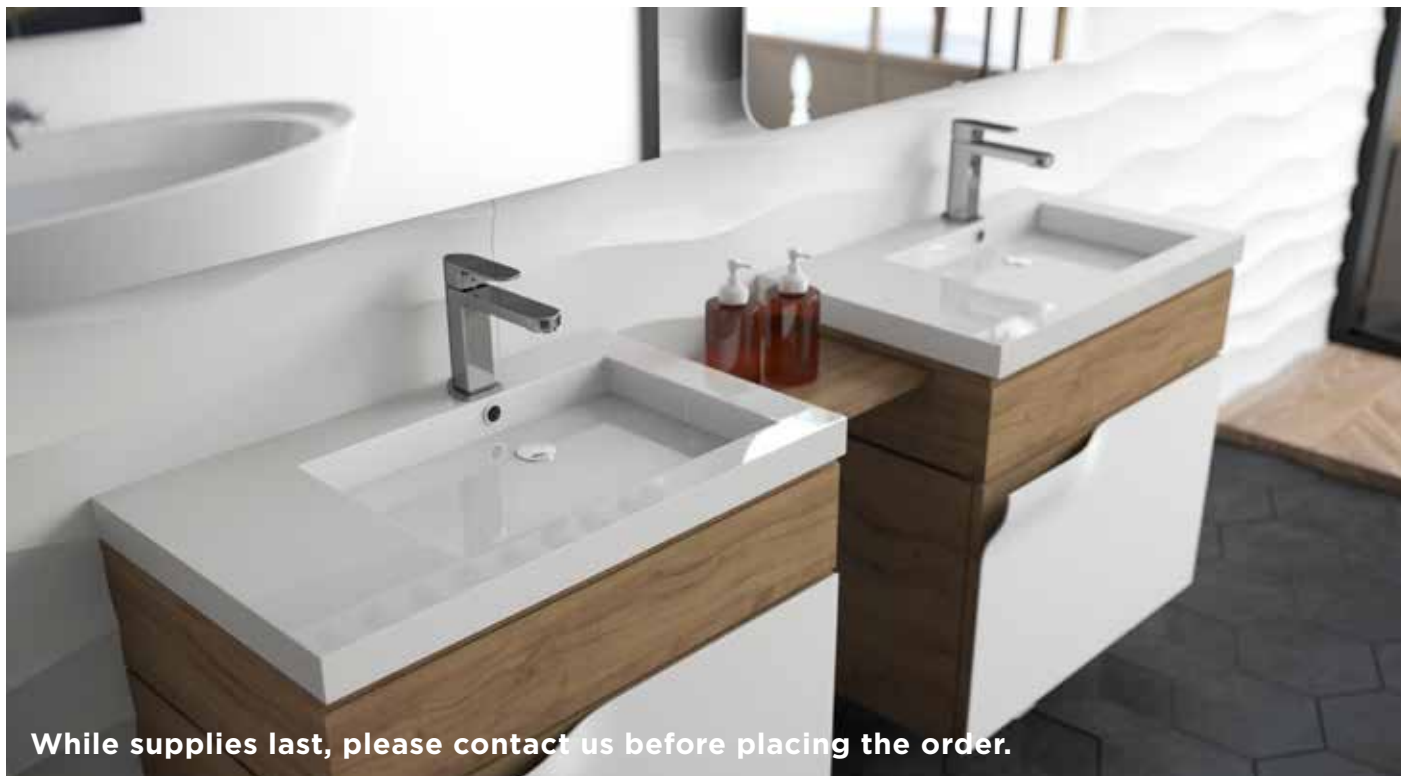
Angular



**04000**

**Description**

Undermount Installation Kit



While supplies last, please contact us before placing the order.

## Single Offset Bowl - Must add drilling for faucet

| Model     | Dimensions        | Profile Height | LH Drain # | RH Drain # |
|-----------|-------------------|----------------|------------|------------|
| RA-3020   | 29 1/8" x 19 1/2" | 3 5/8"         | 30021      | 30031      |
| RA-3020LP | 29 1/8" x 19 1/2" | 1 5/8"         | 30022      | 30032      |
| RA-3620   | 35 1/8" x 19 1/2" | 3 5/8"         | 30061      | 30071      |
| RA-3620LP | 35 1/8" x 19 1/2" | 1 5/8"         | 30062      | 30072      |
| RA-4720   | 47" x 19 3/8"     | 4"             | 30101      | 30111      |
| RA-4720LP | 47" x 19 3/8"     | 1 5/8"         | 30102      | 30112      |

Example: 30021.01 = RA-3020 LH Basin with a single faucet hole.

## Pure Basins Options

- Available with finished backs upon request
- Available in a variety of profile heights
- Custom heights may be available upon request
- Include drilling instructions when ordering

### Pre-Drilled Faucet Holes

|                      |                            |
|----------------------|----------------------------|
| Single Hole Centered | Add ("-01" to part number) |
| 3 Holes @ 4"         | Add ("-04" to part number) |
| 3 Holes @ 8"         | Add ("-08" to part number) |



**8 | Basins**  
**Pure Basin**



**While supplies last, please contact us before placing the order.**

**Double Bowl - Must add drilling for faucet**

| Model     | Dimensions    | Profile Height | Part # |
|-----------|---------------|----------------|--------|
| RA-5520   | 54 ¾" x 19 ½" | 4"             | 30121  |
| RA-5520LP | 54 ¾" x 19 ½" | 1 ⅝"           | 30122  |

Example: 30021.01 = RA-3020 LH Basin with a single faucet hole.

**Pure Basins Options**

- Available with finished backs upon request
- Available in a variety of profile heights
- Custom heights may be available upon request
- Include drilling instructions when ordering

**Pre-Drilled Faucet Holes**

|                      |                            |
|----------------------|----------------------------|
| Single Hole Centered | Add ("-01" to part number) |
| 3 Holes @ 4"         | Add ("-04" to part number) |
| 3 Holes @ 8"         | Add ("-08" to part number) |

## Pure Basins Options

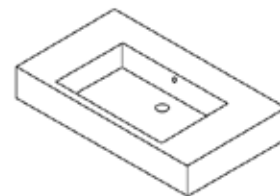
- Available with finished backs upon request
- Available in a variety of profile heights
- Custom heights may be available upon request
- Include drilling instructions when ordering

### Pre-Drilled Faucet Holes

|                      |                            |
|----------------------|----------------------------|
| Single Hole Centered | Add ("-01" to part number) |
| 3 Holes @ 4"         | Add ("-04" to part number) |
| 3 Holes @ 8"         | Add ("-08" to part number) |

## Semi Recessed, Single Bowl, Centered

| Model    | Dimensions                 | Part # |
|----------|----------------------------|--------|
| RM-2120C | 20 1/8" x 19 1/2" x 6 1/8" | 30141  |



Example: 30141.01 = RM-2120C Basin with a single faucet hole.

**While supplies last, please contact us before placing the order.**

## Single Bowl

| Model      | Dimensions        | Profile Height | Part # |
|------------|-------------------|----------------|--------|
| RM-1818C   | 18 1/8" x 18"     | 5"             | 30131  |
| RA-2018C   | 19 3/4" x 18"     | 3 5/8"         | 30010  |
| RA-2200C   | 21 1/2" x 19 5/8" | 3 5/8"         | 30011  |
| RA-2200CLP | 21 1/2" x 19 5/8" | 1 5/8"         | 30012  |
| RM-2418CLP | 23 3/8" x 17 5/8" | 1 5/8"         | 30152  |
| RM-2422C   | 24 3/8" x 22 1/4" | 3 5/8"         | 30014  |
| RM-2422CLP | 24 3/8" x 22 1/4" | 1 5/8"         | 30013  |
| RM-2722C   | 27 1/4" x 22 1/8" | 3 5/8"         | 30015  |
| RM-2722CLP | 27 1/4" x 22 1/8" | 1 5/8"         | 30016  |
| RM-3022C   | 30 1/2" x 22 1/8" | 3 5/8"         | 30045  |
| RM-3022CLP | 30 1/2" x 22 1/8" | 1 5/8"         | 30046  |
| RM-3622C   | 36 3/8" x 22 1/4" | 3 5/8"         | 30085  |
| RM-3622CLP | 36 3/8" x 22 1/4" | 1 5/8"         | 30086  |

Example: 30021.01 = RA-3020 LH Basin with a single faucet hole.



# Sink Index

---

## Notes

Installation clamps included for all stainless steel sinks

## Kitchen

---

### Drop-In

|                     |              |              |
|---------------------|--------------|--------------|
| Classical Bar.....2 | 24024 .....4 | 25130.....5  |
| Dynasty.....2       | 24030 .....4 | 25140 .....5 |
| Gourmet.....3       | 25030 .....4 | 25150.....6  |
| Prestige.....3      | 25031 .....4 | 25160.....6  |
| 24001.....4         | 25090 .....5 | 25170.....6  |
| 24020 .....4        | 25100 .....5 |              |

### Undermount

|              |               |               |
|--------------|---------------|---------------|
| 21001 .....7 | 21110.....10  | 21251 .....13 |
| 21005 .....7 | 21120.....10  | 21255 .....13 |
| 21015.....7  | 21130.....10  | 21265 .....13 |
| 21021.....7  | 21140 .....10 | 21270 .....13 |
| 21030 .....8 | 21150.....11  | 21275 .....14 |
| 21050 .....8 | 21155 .....11 | 25155 .....14 |
| 21051.....8  | 21165 .....11 | 25156 .....14 |
| 21070.....8  | 21170 .....11 |               |
| 21080 .....9 | 21175 .....12 |               |
| 21081.....9  | 21201.....12  |               |
| 21090 .....9 | 21230.....12  |               |
| 21101.....9  | 21250.....12  |               |

## Utility

---

### Acrylic & Stainless Steel

|                        |                      |
|------------------------|----------------------|
| Classic Laundry.....15 | Europa Deluxe.....16 |
| Deluxe Laundry.....15  | 25035.....16         |
| Europa Laundry .....15 | 25050 .....16        |

## Kitchen Sinks

Acrylic & Stainless Steel

- Faucets not included, Please order separately
- Include faucet drilling instructions when ordering

| Item     | Part # |
|----------|--------|
| Strainer | 04011  |

### Pre-Drilled Faucet Holes

Single Hole Centered      Add ("-01" to part number)

3 Holes @ 4"      Add ("-04" to part number)

3 Holes @ 8"      Add ("-08" to part number)



## Classic Bar

Kitchen | Drop-In

### Part #

12021

### Dimensions

15 1/4" x 15 1/4" x 5 5/8"

### Bowl

Single

### Faucet Hole

None

### Strainer Included

Yes



## Dynasty

Kitchen | Drop-In

### Part #

19041

### Dimensions

32" x 21" x 8"

### Bowl

Double

### Faucet Hole

None

### Strainer Included

Yes

## Gourmet

Kitchen | Drop-In

---

**Part #**

19051

---

**Dimensions**

32" x 21" x 8 1/2"

---

**Faucet Hole**

None

---

**Bowl**

Double

---

**Strainer Included**

Yes



## Prestige

Kitchen | Drop-In

---

**Part #**

19011

---

**Dimensions**

32" x 21" x 6 3/4" - 8 3/8"

---

**Faucet Hole**

None

---

**Bowl**

Double

---

**Strainer Included**

Yes



9 | Sinks  
Kitchen | Drop-In



## 24001

Kitchen | Drop-In

**Dimensions**

17 1/8" x 17 1/8" x 7"

**Gauge**

20

**Faucet**

None



## 24020-1H

## 24024-4"cc

Kitchen | Drop-In

**Dimensions**

15" x 15" x 5 1/2"

**Gauge**

24

**Faucet**

Single



## 24030

Kitchen | Drop-In

**Dimensions**

15" x 15" x 8"

**Gauge**

18

**Faucet**

Single



## 25030-1H

## 25031-8"cc

Kitchen | Drop-In

**Dimensions**

20" x 20 1/2" x 7"

**Gauge**

20

**Faucet**

Single

## 25090

Kitchen | Drop-In

---

### Dimensions

31 1/4" x 20 3/8" x 7"

---

### Gauge

18

---

### Faucet

Single

---



## 25100

Kitchen | Drop-In

---

### Dimensions

31 1/4" x 20 3/8" x 8"

---

### Gauge

18

---

### Faucet

3 Hole - 8" cc

---



## 25130

Kitchen | Drop-In

---

### Dimensions

31" x 20" x 10"

---

### Gauge

18

---

### Faucet

Single

---



## 25140

Kitchen | Drop-In

---

### Dimensions

31" x 20" x 10"

---

### Gauge

18

---

### Faucet

Single

---





9 | Sinks  
Kitchen | Drop-In & Package



## 25150

Kitchen | Drop-In

---

**Dimensions**

31 1/2" x 19 1/2" x 10 1/4"

---

**Gauge**

18

---

**Faucet**

Single

---



## 25160

Kitchen | Drop-in

---

**Dimensions**

38" x 19 5/8" x 10 1/4"

---

**Gauge**

18

---

**Faucet**

Single

---



## 25170

Kitchen | Package

---

**Dimensions**

31 1/2" x 19 1/2" x 10 1/4"

---

**Gauge**

18

---

**Faucet**

Single

---

## 21001

Kitchen | Undermount

---

### Dimensions

14 ½" x 13" x 7"

---

### Gauge

18

---

### Corner Radius

Large

---



## 21005

Kitchen | Undermount

---

### Dimensions

29" x 18" x 10"

---

### Gauge

18

---

### Corner Radius

Small

---



## 21015

Kitchen | Undermount

---

### Dimensions

19" x 20" x 10"

---

### Gauge

16

---

### Corner Radius

Small

---



## 21021

Kitchen | Undermount

---

### Dimensions

23" x 17 ¾" x 9"

---

### Gauge

18

---

### Corner Radius

Large

---



9 | Sinks  
Kitchen | Undermount



## 21030

Kitchen | Undermount

**Dimensions**

30" x 18" x 10"

**Gauge**

18

**Corner Radius**

Small



## 21050

Kitchen | Undermount

**Dimensions**

29 1/2" x 17 3/8" x 8 5/8"

**Gauge**

18

**Corner Radius**

Zero



## 21051

Kitchen | Undermount

**Dimensions**

32" x 19" x 10"

**Gauge**

18

**Corner Radius**

Zero



## 21070

Kitchen | Undermount

**Dimensions**

33 5/8" x 18" x 9" & 7"

**Gauge**

16

**Corner Radius**

Small

## 21080

Kitchen | Undermount

### Dimensions

19 ¼" x 19 ¼" x 7 ¾"

### Gauge

16

### Corner Radius

Zero



## 21081

Kitchen | Undermount

### Dimensions

19" x 20" x 10"

### Gauge

18

### Corner Radius

Zero



## 21090

Kitchen | Undermount

### Dimensions

30" x 18" x 10"

### Gauge

16

### Corner Radius

Zero



## 21101

Kitchen | Undermount

### Dimensions

23 ¼" x 20 7/8" x 9"

### Gauge

18

### Corner Radius

Large



9 | Sinks  
Kitchen | Undermount



## 21110

Kitchen | Undermount

### Dimensions

15 5/8" x 17 1/2" x 8 1/2"

### Gauge

18

### Corner Radius

Zero



## 21120

Kitchen | Undermount

### Dimensions

32" x 20" x 9" & 7 1/2"

### Gauge

16

### Corner Radius

Large



## 21130

Kitchen | Undermount

### Dimensions

34 1/4" x 19 1/4" x 8"

### Gauge

16

### Corner Radius

Zero



## 21140

Kitchen | Undermount

### Dimensions

29 1/2" x 19 1/4" x 8"

### Gauge

18

### Corner Radius

Zero

## 21150

Kitchen | Undermount

---

### Dimensions

31 ¼" x 18 ½" x 10"

---

### Gauge

18

---

### Corner Radius

Zero

---



## 21155

Kitchen | Undermount

---

### Dimensions

32" x 18" x 10"

---

### Gauge

16

---

### Corner Radius

Zero

---



## 21165

Kitchen | Undermount

---

### Dimensions

23" x 18" x 9"

---

### Gauge

18

---

### Corner Radius

Small

---



## 21170

Kitchen | Undermount

---

### Dimensions

31 ⅝" x 20 ⅝" x 9" & 8"

---

### Gauge

16

---

### Faucet

None

---



9 | Sinks  
Kitchen | Undermount



## 21175

Kitchen | Undermount

### Dimensions

31 1/4" x 20 1/2" x 10" & 8"

### Gauge

16

### Corner Radius

Small



## 21201

Kitchen | Undermount

### Dimensions

31 3/8" x 18" x 8"

### Gauge

18

### Faucet

None



## 21230

Kitchen | Undermount

### Dimensions

20 3/4" x 17 3/4" x 9"

### Gauge

18

### Corner Radius

Large



## 21250

Kitchen | Undermount

### Dimensions

32" x 19" x 10"

### Gauge

18

### Corner Radius

Zero

## 21251

Kitchen | Undermount

### Dimensions

32" x 19" x 10"

### Gauge

18

### Corner Radius

Small



## 21255

Kitchen | Undermount

### Dimensions

27" x 18" x 8 5/8"

### Gauge

18

### Corner Radius

Small



## 21265

Kitchen | Undermount

### Dimensions

27" x 18" x 8 5/8"

### Gauge

18

### Corner Radius

Small



## 21270

Kitchen | Undermount

### Dimensions

19 1/4" x 17 3/8" x 7 3/4"

### Gauge

18

### Corner Radius

Small





9 | Sinks  
Kitchen | Undermount



## 21275

Kitchen | Undermount

---

**Dimensions**

19 1/4" x 17 3/8" x 7 3/4"

---

**Gauge**

18

---

**Corner Radius**

Small

---



## 25155

Kitchen | Undermount

---

**Dimensions**

29" x 18" x 10"

---

**Gauge**

18

---

**Corner Radius**

Zero

---



## 25156

Kitchen | Undermount

---

**Dimensions**

29" x 18" x 10"

---

**Gauge**

18

---

**Corner Radius**

Small

---

## Utility Sinks

Acrylic & Stainless Steel

- Faucets not included, Please order separately
- Include faucet drilling instructions when ordering

| Item                           | Part # |
|--------------------------------|--------|
| Strainer (Stainles Steel Only) | 04011  |



### Pre-Drilled Faucet Holes

|                      |                            |
|----------------------|----------------------------|
| Single Hole Centered | Add ("-01" to part number) |
| 3 Holes @ 4"         | Add ("-04" to part number) |
| 3 Holes @ 8"         | Add ("-08" to part number) |

## Classic Laundry

Utility | Acrylic

| Part #                  | Description     |
|-------------------------|-----------------|
| 11011                   | Classic Laundry |
| Dimensions              | Faucet          |
| 20 3/4" x 21 3/4" x 10" | Large           |
| Strainer Included       |                 |
| No                      |                 |

## Deluxe Laundry

Utility | Acrylic

| Part #            | Description    |
|-------------------|----------------|
| 11021             | Deluxe Laundry |
| Dimensions        | Corner Radius  |
| 27" x 22" 14 1/4" | Large          |
| Strainer Included |                |
| No                |                |

## Europa Laundry

Utility | Acrylic

| Part #                  | Description   |
|-------------------------|---------------|
| 11031                   | Europa        |
| Dimensions              | Corner Radius |
| 23 3/4" x 20 7/8" x 12" | Large         |
| Strainer Included       |               |
| No                      |               |

9 | Sinks  
Utility | Acrylic & Stainless Steel



## Europa Deluxe

Utility | Acrylic

---

**Part #**

11041

---

**Description**

Europa Deluxe

---

**Dimensions**

32" x 21" x 11 3/4"

---

**Corner Radius**

Small

---

**Strainer Included**

No



## 25035

Utility | Stainless Steel

---

**Dimensions**

20" x 20" x 10"

---

**Gauge**

18

---

**Corner Radius**

Zero



## 25050

Utility | Stainless Steel

---

**Dimensions**

20" x 20" x 10"

---

**Gauge**

18

---

**Corner Radius**

Small

# Faucet Index

---

## Faucets

---

### Freestanding Bathtub

|              |   |                |   |
|--------------|---|----------------|---|
| Arc .....    | 2 | Moderno .....  | 4 |
| Brixton..... | 2 | Monarch.....   | 5 |
| Ernst.....   | 3 | Quadratto..... | 4 |
| Imara .....  | 3 |                |   |

### Wall & Deck Mount Bathtub

|              |     |
|--------------|-----|
| Monarch..... | 6-7 |
|--------------|-----|

### Kitchen

|               |   |
|---------------|---|
| Anthony ..... | 7 |
| Michael ..... | 8 |
| Pierre.....   | 8 |

10 | Faucets  
Freestanding



## Arc

Single Lever Free-Standing Faucet

---

**Part #**

83031

---

**Features**

- Ceramic disc single lever cartridge
- Solid brass construction
- Triple-plated chrome finish.
- Triple-seal water supply system

**Technical Specifications**

- 6 gal / minute spout flow rate @ 65 psi
- Minimum operating temp.: 0 °C
- Maximum operating temp.: 90 °C



## Brixton

Single Lever Free-Standing Faucet

---

**Part #**

83096

---

**Features**

- Ceramic disc single lever cartridge
- Solid brass construction
- Triple-plated chrome finish.
- Triple-seal water supply system

**Technical Specifications**

- 6.5 gal / minute spout flow rate @ 58 psi
- Minimum operating temp.: 4 °C
- Maximum operating temp.: 90 °C

## Ernst

Single Lever Free-Standing Faucet

---

### Part #

83091

---

### Features

- Ceramic disc single lever cartridge
- Solid brass construction
- Triple-plated chrome finish.
- Triple-seal water supply system

### Technical Specifications

- 5.7 gal / minute spout flow rate @ 58 psi
- Minimum operating temp.: 0 °C
- Maximum operating temp.: 90 °C



## Imara

Single Lever Handle Free-Standing Faucet

---

### Part #

83061

---

### Features

- Ceramic disc single lever cartridge
- Solid brass construction
- Triple-plated chrome finish.
- Triple-seal water supply system

### Technical Specifications

- 5.5 gal / minute spout flow rate @ 65 psi
- Minimum operating temp.: 0 °C
- Maximum operating temp.: 90 °C





## Moderno

Dual Lever or Cross Handle Free-Standing Faucet

---

| Product                 | Part # |
|-------------------------|--------|
| Chrome w/ Cross Handles | 83021  |
| Chrome w/ Lever Handles | 83011  |

### Features

- Two ¼ turn ceramic cartridges
- Solid brass construction
- Triple-plated chrome finish
- Triple-seal water supply system

### Technical Specifications

- 5 gal / minute spout flow rate @ 65 psi
- Minimum operating temp.: 0 °C
- Maximum operating temp.: 90 °C



## Quadratto

Single Lever Free-Standing Faucet

---

**Part #**  
83041

---

### Features

- Ceramic disc single lever cartridge
- Solid brass construction
- Triple-plated chrome finish.
- Triple-seal water supply system

### Technical Specifications

- 5.6 gal / minute spout flow rate @ 65 psi
- Minimum operating temp.: 0 °C
- Maximum operating temp.: 90 °C

## Monarch

Dual Lever or Cross Handle Free-Standing Faucet

| Product         | Part # |
|-----------------|--------|
| <b>Chrome</b>   |        |
| - Cross Handles | 83071  |
| - Lever Handles | 83051  |



## Monarch With Stops

Dual Lever or Cross Handle Free-Standing Faucet

| Product                 | Part # |
|-------------------------|--------|
| <b>Chrome</b>           |        |
| - Cross Handles & Stops | 81031  |
| - Lever Handles & Stops | 81041  |
| <b>Brushed Nickel</b>   |        |
| - Cross Handles & Stops | 81072  |
| - Lever Handles & Stops | 81082  |







## Monarch Deck Mount

Dual Lever or Cross Handle Faucet

| Product                 | Part # |
|-------------------------|--------|
| Chrome w/ Cross Handles | 82011  |
| Chrome w/ Lever Handles | 82021  |

### Features

- Two ¼ turn ceramic cartridges
- Solid brass construction
- Triple-plated chrome finish
- Triple-seal water supply system
- Comes with adjustable pillars

### Technical Specifications

- 5 gal / minute spout flow rate @ 65 psi
- Minimum operating temp.: 0 °C
- Maximum operating temp.: 90 °C
- Minimum operating pressure: 7 psi
- Maximum operating pressure: 145 psi

## Monarch Risers

With Cross handle Shut-off Valves

| Product                         | Part # |
|---------------------------------|--------|
| Chrome w/ Cross Handles         | 80125  |
| Brushed Nickel w/ Cross Handles | 80126  |

### Features

- Solid brass construction
- Triple-plated chrome finish
- ¾" M x ¾" M with shut-off valve
- 31 ½" Tall

## Monarch Wall Mount

Dual Lever or Cross Handle Faucet

| Product                 | Part # |
|-------------------------|--------|
| Chrome w/ Cross Handles | 80022  |
| Chrome w/ Lever Handles | 80023  |

### Features

- Two ¼ turn ceramic cartridges
- Solid brass construction
- Triple-plated chrome finish
- Triple-seal water supply system

### Technical Specifications

- 5 gal / minute spout flow rate @ 65 psi
- Minimum operating temp.: 0 °C
- Maximum operating temp.: 90 °C



## Anthony

Single Lever Faucet

### Part #

86002

### Features

- Single lever handle
- Ceramic disc single lever cartridge
- Solid brass construction
- Triple-plated chrome finish.
- Triple-seal water supply system





## Pierre

Single Lever Faucet

---

**Part #**

86001

---

**Features**

- Single lever handle
- Ceramic disc single lever cartridge
- Solid brass construction
- Triple-plated chrome finish.
- Triple-seal water supply system



## Michael

Single Lever Faucet

---

**Part #**

86003

---

**Features**

- Ceramic disc single lever cartridge
- Solid brass construction
- Triple-plated chrome finish.
- Triple-seal water supply system

# Index

---

## Toilets

---

### Elongated

31030 ..... 2  
31050 ..... 2  
31110 ..... 2  
31120 ..... 3  
31205 ..... 4

### Round Front

31060 ..... 2

### Square Front

31140 ..... 3  
31201 ..... 3  
31201-BLK ..... 3

### Toilet Seats

All of our toilets come with toilet seats

### Replacement Parts

..... 4-6



## 31030

**Bowl**  
Elongated

**Capacity**  
6L

Soft Close Seat Included

**Flush Style**  
Single



## 31050

**Bowl**  
Elongated

**Capacity**  
4.8L

Soft Close Seat Included

**Flush Style**  
Single



## 31060

**Bowl**  
Round Front

**Capacity**  
3 / 6L

Soft Close Seat Included

**Flush Style**  
Dual



## 31100

**Bowl**  
Elongated

**Capacity**  
5L

Soft Close Seat Included

**Flush Style**  
Single



## 31120

**Bowl**

Elongated

**Capacity**

4 / 6L

Soft Close Seat Included

**Flush Style**

Dual



## 31140

**Bowl**

Square Front

**Capacity**

6L

Soft Close Seat Included

**Flush Style**

Single



## 31201

**Bowl**

Square Front

**Capacity**

4.8L

Soft Close Seat Included

**Flush Style**

Single



## 31201-BLK

**Bowl**

Square Front

**Capacity**

4.8L

Soft Close Seat Included

**Flush Style**

Single

**Finish**

Matte Black

**11 | Toilets**  
**Replacement Parts**



**31205**

**Bowl**  
 Elongated

**Capacity**  
 4.8L

Soft Close Seat Included

**Flush Style**  
 Single

**Replacement Parts**

| Toilet Model | Component             | Part # |
|--------------|-----------------------|--------|
| 31030        | Flapper Seal          | 33050  |
|              | Flushing Lever/Handle | 33060  |
|              | Seat                  | 33025  |
|              | Flush valve           | 34005  |

| Toilet Model | Component             | Part # |
|--------------|-----------------------|--------|
| 31050        | Flushing Lever/Handle | 33061  |
|              | Seat                  | 33020  |
|              | Flush valve           | 34000  |

| Toilet Model | Component            | Part # |
|--------------|----------------------|--------|
| 31060        | Flushing Push Button | 33063  |
|              | Seat                 | 33024  |
|              | Flush valve          | 34001  |

| Toilet Model | Component            | Part # |
|--------------|----------------------|--------|
| 31070        | Flushing Push Button | 33063  |

## Replacement Parts

| Toilet Model | Component             | Part # |
|--------------|-----------------------|--------|
| 31080        | Flushing Lever/Handle | 33062  |
|              | Seat                  | 33022  |
|              | Flush Valve           | 34003  |
| Toilet Model | Component             | Part # |
| 31120        | Flushing Push Button  | 33064  |
|              | Seat                  | 33021  |
|              | Flush valve           | 34004  |
| Toilet Model | Component             | Part # |
| 31140        | Flushing Lever/Handle | 33061  |
|              | Seat                  | 33026  |
|              | Flush valve           | 34007  |
| Toilet Model | Component             | Part # |
| 31150        | Flushing Push Button  | 33063  |
|              | Seat                  | 33027  |
|              | Flush valve           | 34014  |
| Toilet Model | Component             | Part # |
| 31201        | Flushing Push Button  | 33066  |
|              | Seat                  | 33037  |
|              | Flush valve           | 34015  |
| Toilet Model | Component             | Part # |
| 31201-BLK    | Flushing Push Button  | 33066  |
|              | Seat                  | 33038  |
|              | Flush valve           | 34015  |



## Replacement Parts

| Toilet Model | Component   | Part # |
|--------------|-------------|--------|
| 31205        | Seat        | 33023  |
|              | Flush valve | 34006  |

| Toilet Model | Component   | Part # |
|--------------|-------------|--------|
| TB108        | Seat        | 33028  |
|              | Flush valve | 34008  |
|              | Tank Lid    | 33085  |

| Toilet Model | Component   | Part # |
|--------------|-------------|--------|
| TB109        | Seat        | 33029  |
|              | Flush valve | 34009  |
|              | Tank Lid    | 33084  |

| Toilet Model | Component   | Part # |
|--------------|-------------|--------|
| TB222        | Seat        | 33033  |
|              | Flush valve | 34010  |

| Toilet Model | Component   | Part # |
|--------------|-------------|--------|
| TB326        | Seat        | 33034  |
|              | Flush valve | 34011  |

| Toilet Model | Component   | Part # |
|--------------|-------------|--------|
| TB330        | Seat        | 33035  |
|              | Flush valve | 34012  |

| Toilet Model | Component   | Part # |
|--------------|-------------|--------|
| TB346        | Seat        | 33036  |
|              | Flush valve | 34013  |

# Aging In Place Index

---

## Walk-In Baths

---

### Upgrades & Accessories

|                             |   |
|-----------------------------|---|
| Upgrade Info.....           | 2 |
| Upgrade Compatibility ..... | 3 |
| Upgrade Options.....        | 4 |
| Accessories.....            | 5 |

### Walk-In Baths

|                                    |    |
|------------------------------------|----|
| Dignity.....                       | 7  |
| Freedom .....                      | 8  |
| Independence 54 .....              | 9  |
| Independence 60.....               | 10 |
| Integrity with Hydraulic Seat..... | 11 |
| Nobility.....                      | 12 |
| Pride LH .....                     | 13 |
| Pride RH.....                      | 14 |
| Tranquility .....                  | 15 |

## Shower Bases

---

### Shower Receptor

|              |    |
|--------------|----|
| Pender ..... | 16 |
|--------------|----|

### Barrier Free Shower Bases

|                |    |
|----------------|----|
| .....          | 17 |
| End Drain..... | 18 |

## Walk-In Bath Upgrades

---

### Chromatherapy

Immerse yourself within a sea of light created by a dual mini-light Chromatherapy system. Bathers can choose between red, orange, yellow, green, blue, turquoise, and magenta, or cycle through a range of 9 blended colours. Combine Chromatherapy with a massage system to create a total spa experience.

---

### Lateral Air

16 jets mounted around the perimeter of the bathing well infuse the water with a soothing stream of massaging bubbles. A ceramic heating core preheats the air as a 600-Watt Panasonic™ blower delivers a steady stream of warm air bubbles to the bather. Use the variable speed control pad to vary the intensity of the massage to your mood.

Enjoy peace of mind in knowing that all blowers are preprogrammed with an auto-drying cycle to clean and dry the system after every use.

---

### HydroMassage

The hydromassage is the most vigorous of all available upgrades, featuring a  $\frac{3}{4}$  hp high efficiency pump. Bath water circulates through 6 or more adjustable jets to deliver targeted massaging action with variable levels of intensity. Upgrade this massage system by adding additional jets or adding an in-line heater to help maintain your bath's water temperature.

---

### ComfortWarm™

ComfortWarm™ uses radiant heat technology to directly heat the surface of the bathtub's back-rest. Use the three heat settings to adjust the heat intensity at any time with a simple press of the electronic touchpad.

---

### VIBE Sound

The Vibe System allows you to enjoy your music or radio at the touch of a button in your shower or bathtub. The vibes of the music are synchronized with a Chromatherapy system that will change colors in synch with every beat of your favorite music.

---

### Aromatherapy

Only a few drops of fragrance are needed. The system works using a pump which leads the air towards the receptacle which is filled with a combination of water and a few essential oil drops. Once the aromatherapy system is turned on, the diffuser spreads the natural scent of the essential oil into the ambient air.

---

## Walk-In Bath Upgrade Compatibility

| Products             | Chromatherapy | LateralAir | HydroMassage | ComfortWarm™ | VIBE Sound | Aromatherapy |
|----------------------|---------------|------------|--------------|--------------|------------|--------------|
| Dignity              | +             | +          | +            | +            | I or II    | +            |
| Freedom              | +             | +          | +            | +            | I or II    | +            |
| Independence 54 / 60 | +             | +          | +            | +            | I or II    | +            |
| Integrity            | +             | +          | +            | +            | I or II    | +            |
| Nobility             | +             | +          | +            | +            | I or II    | +            |
| Pride                | +             | +          | +            | +            | I or II    | +            |
| Tranquility          | +             | +          | +            | +            | I or II    | +            |

**\*VIBE Sound I = Keypad, VIBE Sound II = Remote Control**

Please note for putting together multiple upgrades contact Acritec Customer Service at [customerservice@acritec.com](mailto:customerservice@acritec.com).

## Walk-In Bath Upgrade Options

### Lateral Air

#### 16 Jet Air System

|  |       |
|--|-------|
| - White  | 00021 |
| - Brushed Nickel   | 00023 |
| - Polished Chrome  | 00024 |
| - Remote control for air blower                                  | 00133 |
| - Remote Location kit for air blower<br>(12' extra cable & hose) | 00131 |

|  |       |
|--|-------|
| <b>Variable Air Blower</b> (Replacement) | 00180 |
|--|-------|



### HydroMassage

#### 6 Jet HydroMassage System

|                   |       |
|-------------------|-------|
| - White           | 00101 |
| - Polished Chrome | 00104 |

#### 8 Jet HydroMassage System

|                   |       |
|-------------------|-------|
| - White           | 00111 |
| - Polished Chrome | 00114 |

#### Add 1x HydroMassage Jet

|                   |       |
|-------------------|-------|
| - White           | 00151 |
| - Polished Chrome | 00154 |

|                                   |       |
|-----------------------------------|-------|
| <b>Inline HydroMassage Heater</b> | 00171 |
|-----------------------------------|-------|

|                                      |       |
|--------------------------------------|-------|
| <b>110V 3/4HP Pump</b> (Replacement) | 00260 |
|--------------------------------------|-------|

|                          |       |
|--------------------------|-------|
| <b>Custom Jet System</b> | 00155 |
|--------------------------|-------|

|                                 |       |
|---------------------------------|-------|
| <b>Sound Deadening Pump Pad</b> | 00160 |
|---------------------------------|-------|



### Chromatherapy Lights

|                   | Part # |
|-------------------|--------|
| 2 x White Finish  | 01020  |
| 2 x Chrome Finish | 01021  |




### ComfortWarm™

|  |          |
|--|----------|
| <b>1x ComfortWarm™ Heated Backrest</b> (70W) | 01040-01 |
|--|----------|

|   |          |
|---|----------|
| <b>2x ComfortWarm™ Heated Backrests</b> (2x35W) | 01040-02 |
|---|----------|

## Walk-In Bath Upgrade Options

| <b>VIBE Sound System</b>  |       |
|---|-------|
| <b>VIBE I + Chromotherapy Lights</b>  |       |
| 2x Speakers + 2x Chromotherapy Lights ( <b>White Finish</b> ) + <b>Advanced Keypad</b>  | 01022 |
| 2x Speakers + 2x Chromotherapy Lights ( <b>Chrome Finish</b> ) + <b>Advanced Keypad</b> | 01023 |
| <b>VIBE II + Chromotherapy Lights (For Most Freestanding Tubs)</b>                      |       |
| 2x Speakers + 2x Chromotherapy Lights ( <b>White Finish</b> ) + <b>Remote Control</b>   | 01024 |
| 2x Speakers + 2x Chromotherapy Lights ( <b>Chrome Finish</b> ) + <b>Remote Control</b>  | 01025 |
| <b>Aromatherapy System</b>  |       |
| Diffuser System + Keypad  | 01030 |



## Aging In Place Accessories

| <b>Accessories</b>   | <b>Part #</b> |
|--|---------------|
| <b>Grab Bar - 6" (Installed)</b>                                 |               |
| - Clear / Gold Inserts   | 01002         |
| - White  | 01003         |
| <b>Grab Bar - 10" (Installed)</b>                                |               |
| - Chrome   | 01004         |
| <b>144" Plastic Tiling Flange (Part Only)</b>                    | 02040         |
| <b>144" Plastic Tiling Flange (Factory Installed)</b>            | 02040.02050   |
| <b>64" Plastic Tiling Flange (Part Only)</b>                     | 02041         |
| <b>64" Plastic Tiling Flange (Factory Installed)</b>             | 02041.02050   |
| <b>78" Aluminum Tiling Flange (Part Only)</b>                    | 02042         |
| <b>78" Aluminum Tiling Flange (Factory Installed)</b>            | 02042.02050   |
| <b>Collapsible Threshold (For Barrier Free Showers)</b>          | 05010         |
| <b>End Caps for Collapsible Threshold (Barrier Free Showers)</b> | 05011         |
| <b>Lateral Air Accessories</b>                                   |               |
| Remote Location kit for air blower (12' extra cable & hose)      | 00131         |
| Remote control for air blower                                    | 00133         |



## 08010

Pillow | Contoured | Compatible with all Acritec baths

---

**Dimensions**

11  $\frac{7}{8}$ " x 4  $\frac{3}{8}$ "

---

**Colour**

Black

---



## 08012

Pillow | Premium | Compatible with all Acritec baths

---

**Dimensions**

11  $\frac{1}{2}$ " x 6  $\frac{1}{2}$ "

---

**Colour**

Black

---



## 08014

Pillow | Contoured | For baths with rounded backrests

---

**Dimensions**

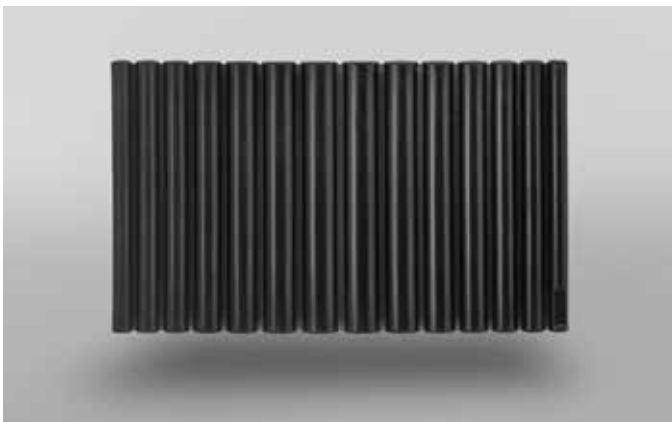
11  $\frac{1}{2}$ " x 3  $\frac{1}{8}$ "

---

**Colour**

Black

---



## 08016

Pillow | Premium | Compatible with all Acritec baths

---

**Dimensions**

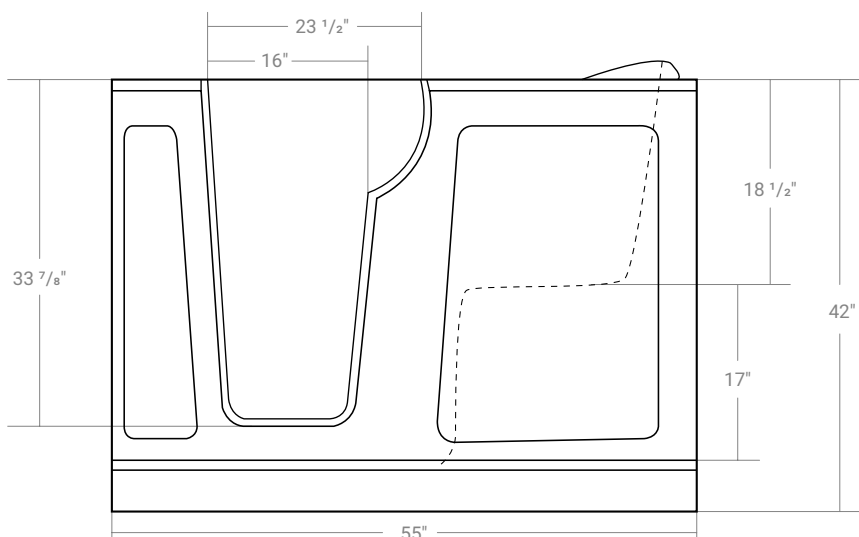
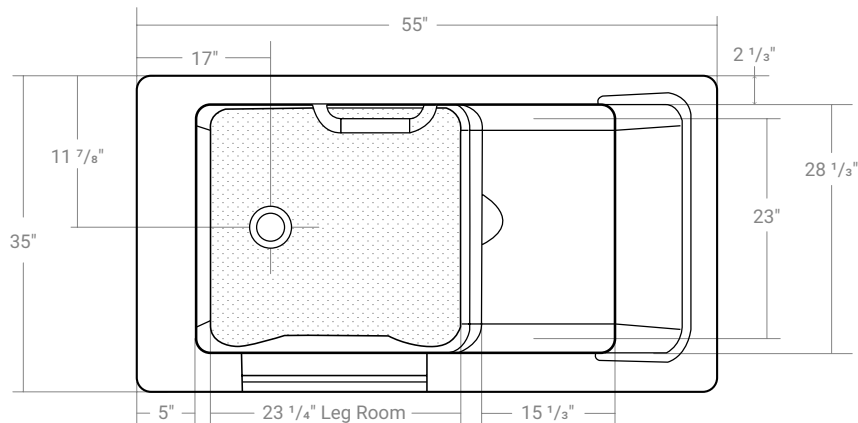
15  $\frac{3}{4}$ " x 10  $\frac{1}{4}$ "

---

**Colour**

Black

---



## Dignity

Extendable to 60" (Kit Included)

1 x End Panel (**Part #** 09012)

### Part #

**LH - 70081**

**RH - 70082**

### Dimensions

55" x 35" x 42"

### Features

- Contoured built-in seat
- Stainless steel handle
- Textured bottom
- Deep bathing well
- Adjustable levelling feet
- Drains included

### Upgrades (See pg. 2-6 for details)

- Chromatherapy
- Lateral Air
- HydroMassage
- ComfortWarm™
- VIBE Sound
- Aromatherapy



## 12 | Aging In Place Walk-In Baths



### Freedom

Extendable to 60" (Kit Included)

1 x End Panel (**Part #** 09010)

#### Part #

LH - 70051

RH - 70055

#### Dimensions

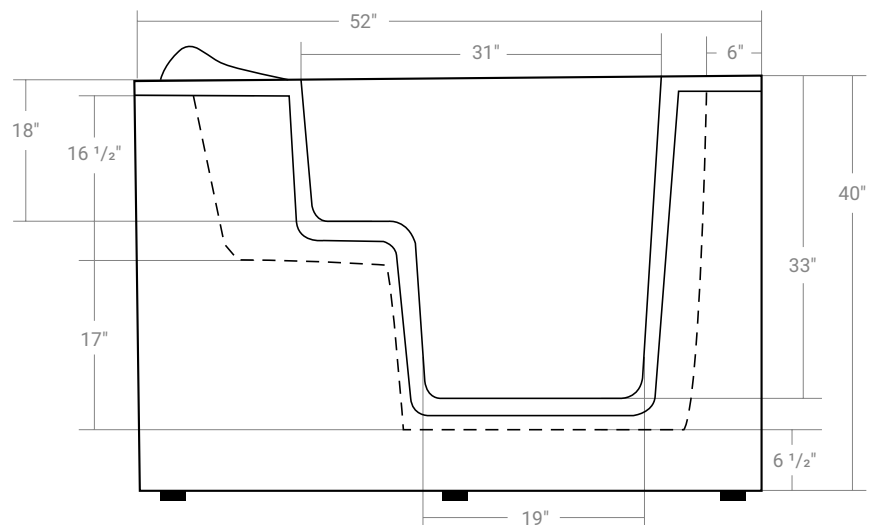
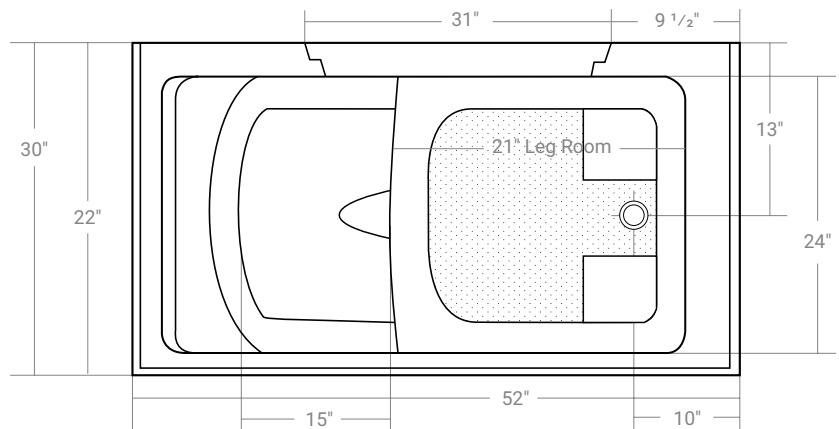
52" x 30" x 40"

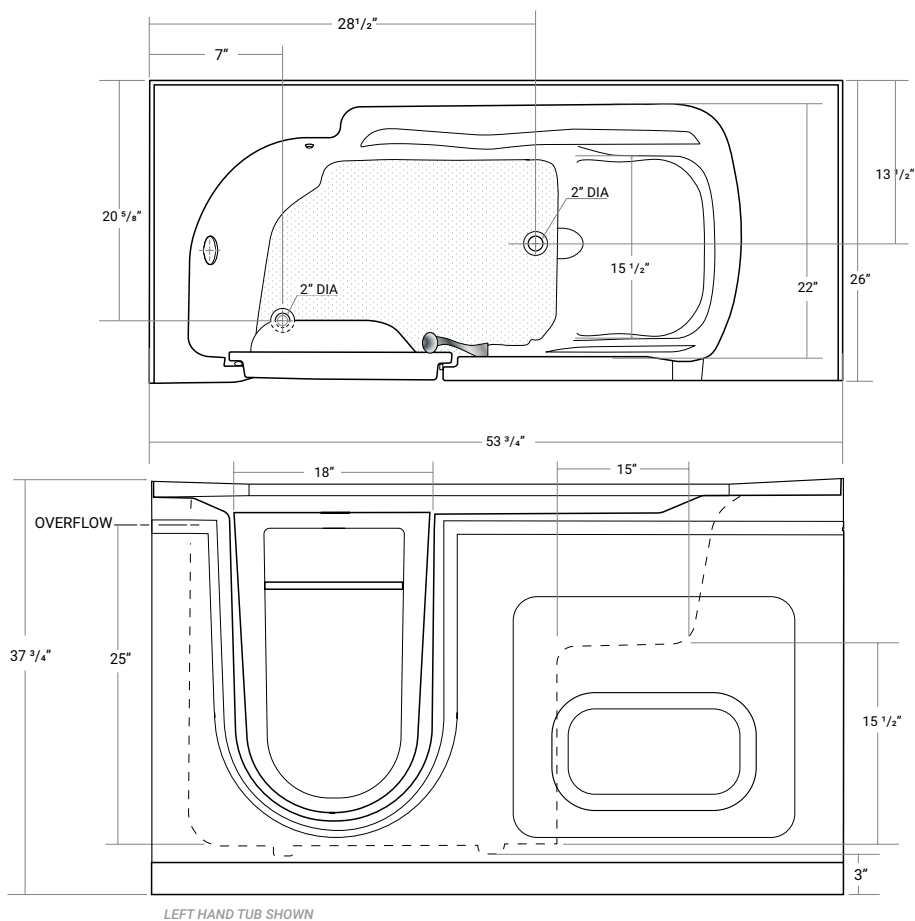
#### Features

- Contoured built-in seat
- Stainless steel handle
- Textured bottom
- Deep bathing well
- Adjustable levelling feet
- Drains included

#### Upgrades (See pg. 2-6 for details)

- Chromatherapy
- Lateral Air
- HydroMassage
- ComfortWarm™
- VIBE Sound
- Aromatherapy





## Independence 54

### Part #

LH - 70031

RH - 70041

### Dimensions

53 3/4" x 26" x 37 3/4"

### Features

- Contoured built-in seat
- Stainless steel grab bar
- Textured bottom
- Deep bathing well
- Adjustable levelling feet
- Drains included

### Upgrades (See pg. 2-6 for details)

- Chromatherapy
- Lateral Air
- HydroMassage
- ComfortWarm™
- VIBE Sound
- Aromatherapy

**12 | Aging In Place  
Walk-In Baths**



**Independence 60**

**Part #**

LH - 70011

RH - 70021

**Dimensions**

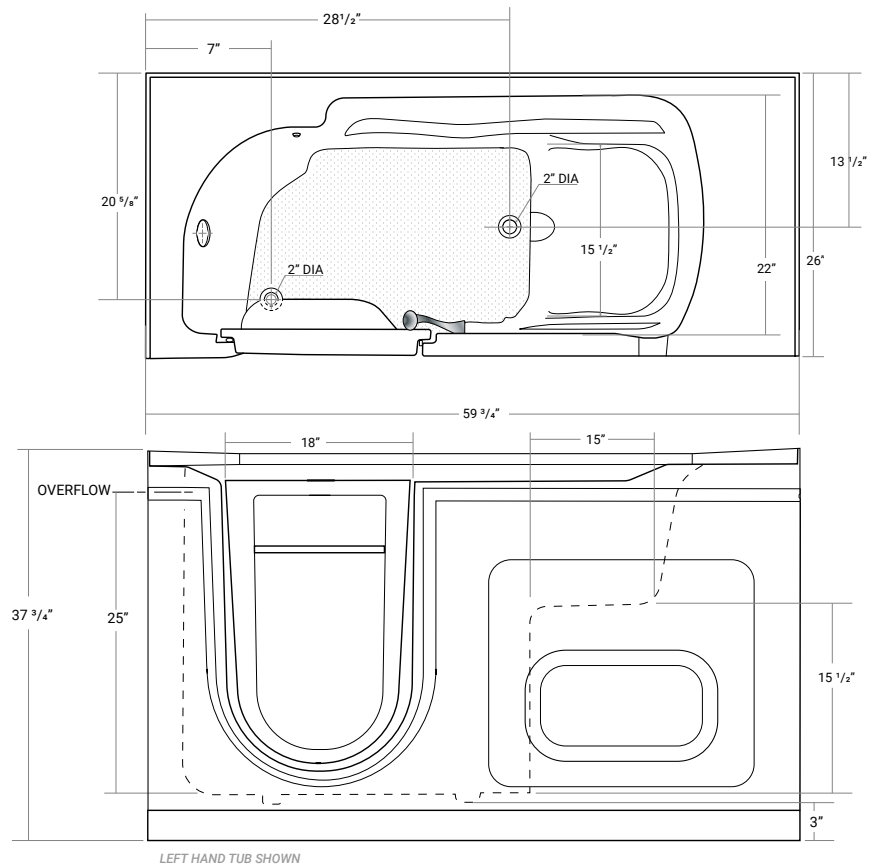
59 3/4" x 26" x 37 3/4"

**Features**

- Contoured built-in seat
- Stainless steel grab bar
- Textured bottom
- Deep bathing well
- Adjustable levelling feet
- Drains included

**Upgrades** (See pg. 2-6 for details)

- Chromatherapy
- Lateral Air
- HydroMassage
- ComfortWarm™
- VIBE Sound
- Aromatherapy





## Integrity with Hydraulic Seat

### Part #

LH - 71061

RH - 71062

### Dimensions

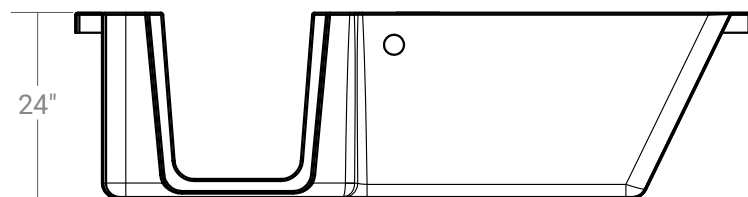
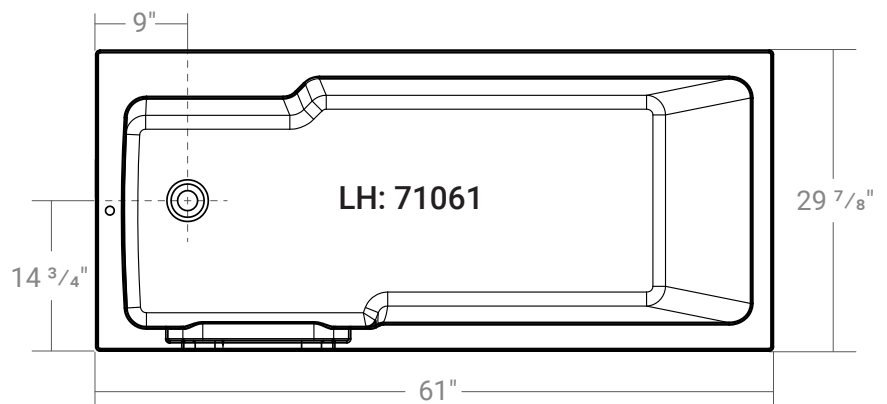
61" x 29 7/8" x 24"

### Features

- Left or right inward door swing
- Electric adjustable lift seat (Maximum weight 200kgs)
- Two press switches to control the adjustable lift seat

### Upgrades (See pg. 2-6 for details)

- Chromatherapy
- Lateral Air
- HydroMassage
- ComfortWarm™
- VIBE Sound
- Aromatherapy





## Nobility

### Part #

LH - 70091

RH - 70092

### Dimensions

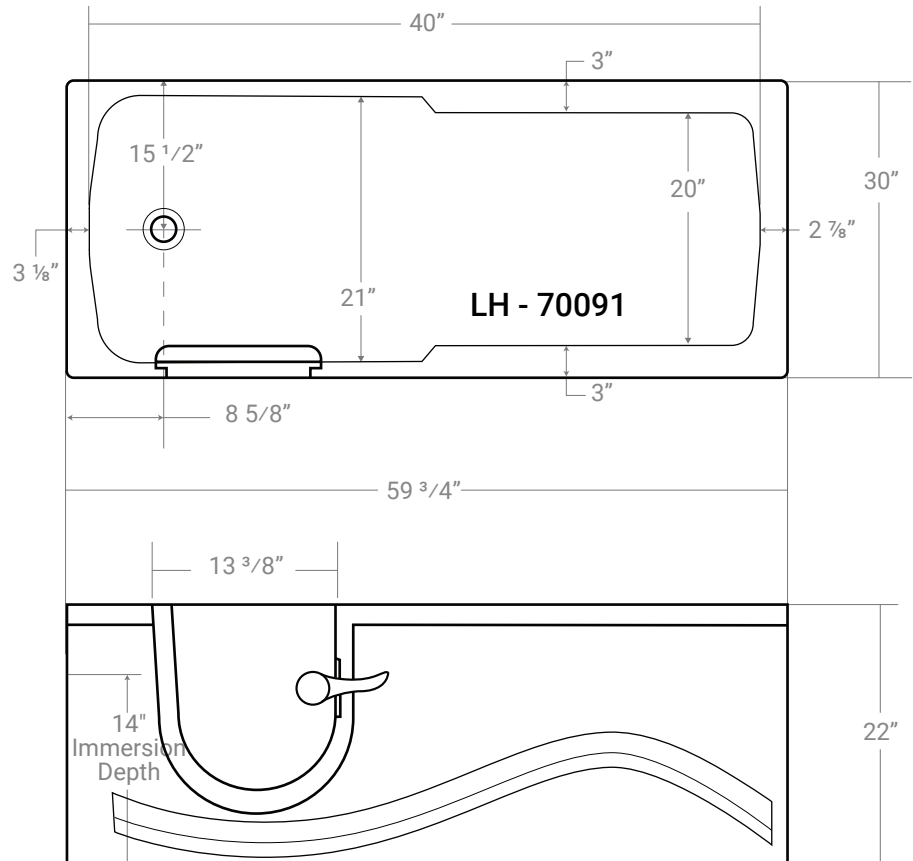
59 3/4" x 30" x 22"

### Features

- Contoured backrest
- Stainless steel handle
- Adjustable levelling feet

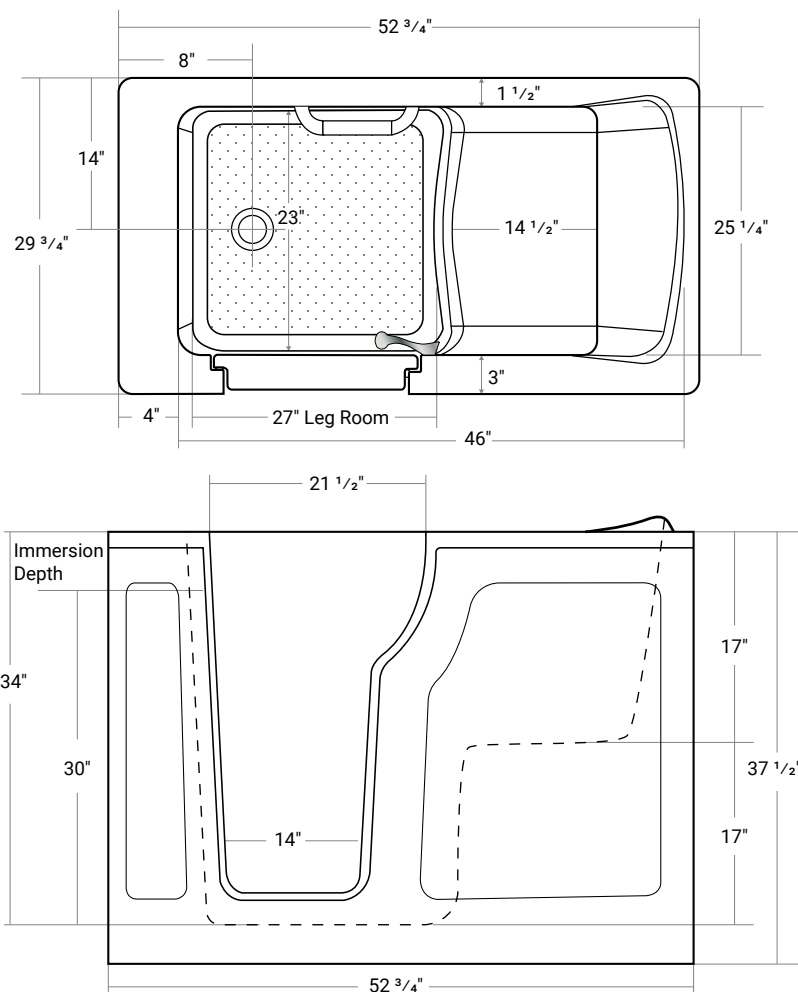
### Upgrades (See pg. 2-6 for details)

- Chromatherapy
- Lateral Air
- HydroMassage
- ComfortWarm™
- VIBE Sound
- Aromatherapy





Faucets not included



## Pride LH

Extendable to 60" (Kit Included)

1 x End Panel (**Part #** 09011)

**Part #**  
**LH - 70071**

### Dimensions

52 <sup>3</sup>/<sub>4</sub>" x 29 <sup>3</sup>/<sub>4</sub>" x 37 <sup>1</sup>/<sub>2</sub>"

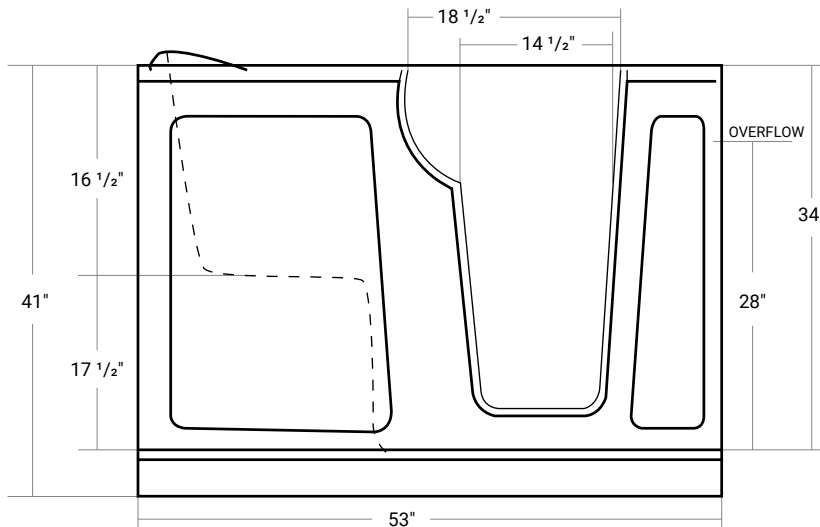
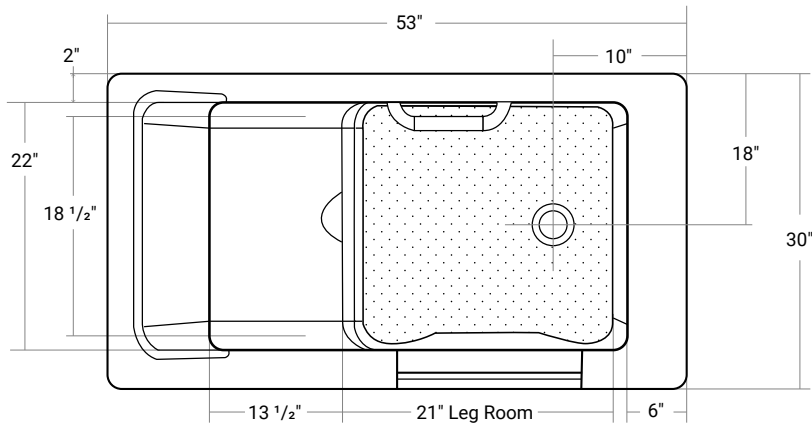
### Features

- Contoured built-in seat
- Stainless steel handle
- Textured bottom
- Deep bathing well
- Adjustable levelling feet
- Drains included

### Upgrades (See pg. 2-6 for details)

- Chromatherapy
- Lateral Air
- HydroMassage
- ComfortWarm™
- VIBE Sound
- Aromatherapy

**12 | Aging In Place  
Walk-In Baths**



**Pride RH**

Extendable to 60" (Kit Included)

1 x End Panel (**Part #** 09011)

**Part #**  
**RH - 70075**

**Dimensions**  
53" x 30" x 41"

**Features**

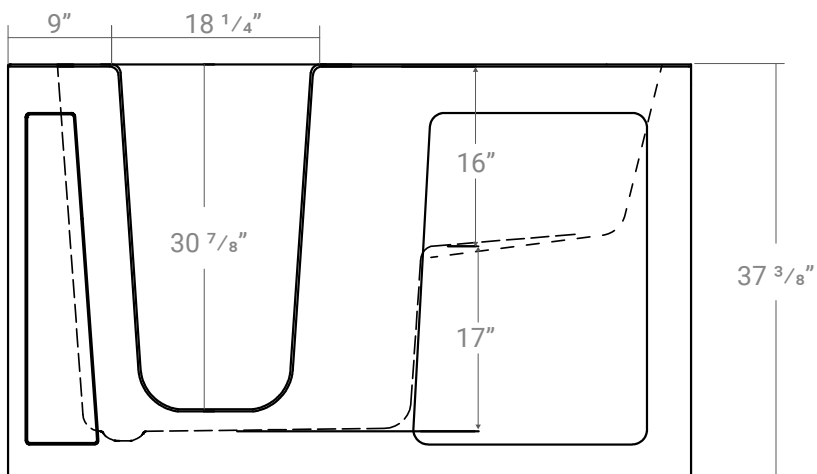
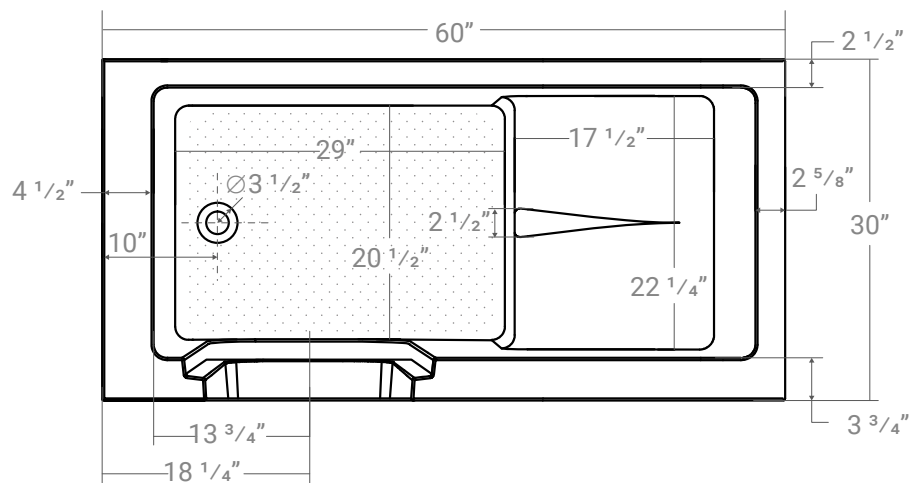
- Contoured built-in seat
- Stainless steel handle
- Textured bottom
- Deep bathing well
- Adjustable levelling feet
- Drains included

**Upgrades** (See pg. 2-6 for details)

- Chromatherapy
- Lateral Air
- HydroMassage
- ComfortWarm™
- VIBE Sound
- Aromatherapy



Faucets not included



## Tranquility

### Part #

LH - 70093

RH - 70094

### Dimensions

60" x 30" x 37 3/8"

### Features

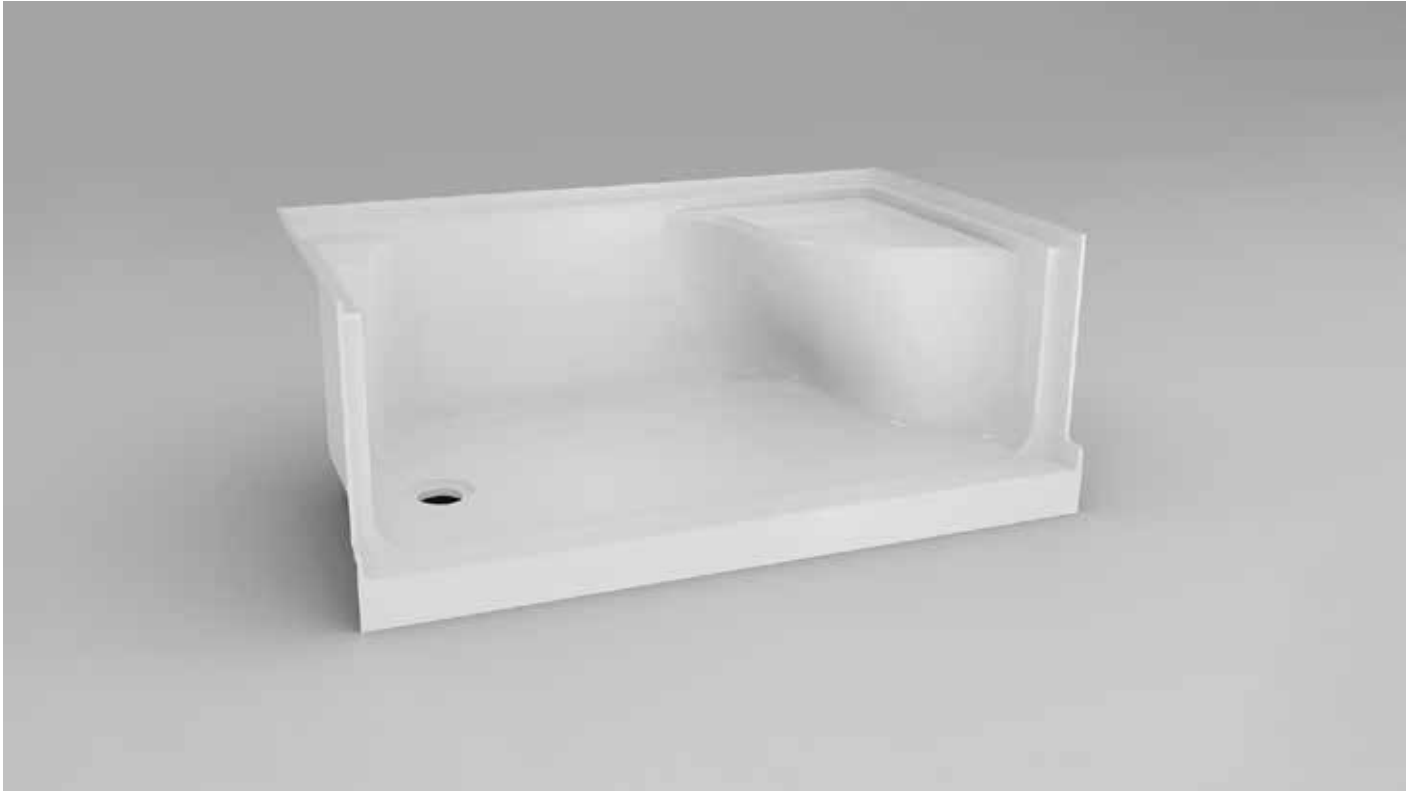
- Contoured built-in seat
- Stainless steel handle
- Textured bottom
- Deep bathing well
- Adjustable levelling feet
- Drains included

### Upgrades (See pg. 2-6 for details)

- Chromatherapy
- Lateral Air
- HydroMassage
- ComfortWarm™
- VIBE Sound
- Aromatherapy



**12 | Aging In Place  
Shower Bases**



**Pender**

Alcove | End Drain

Height: 22 1/2"

**Part #**

LH - 63612

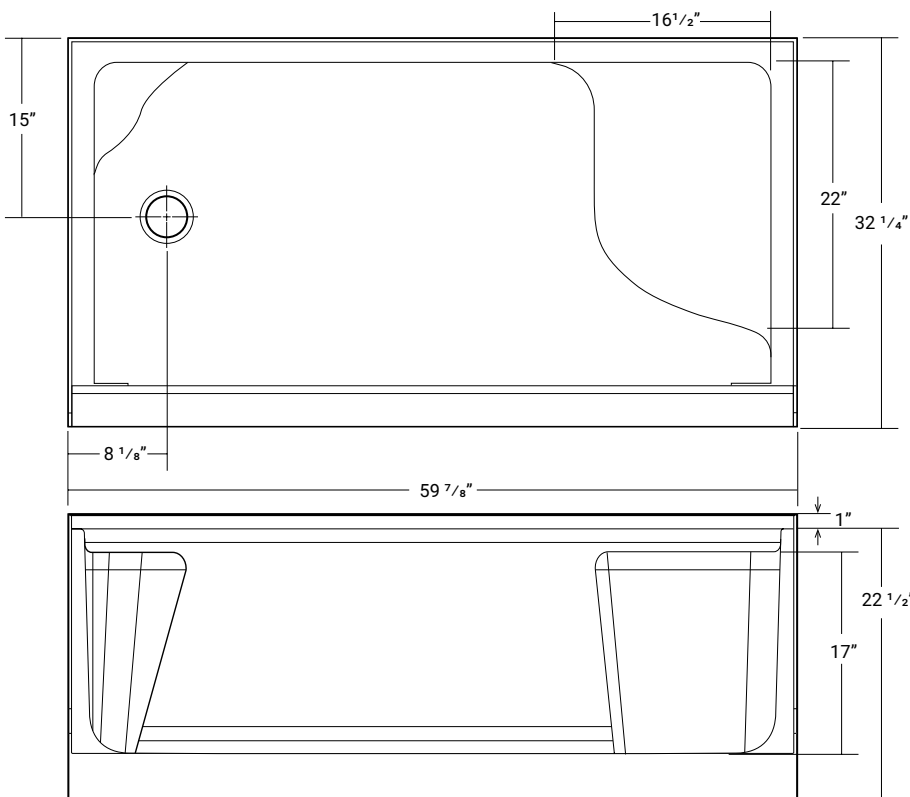
RH - 63613

**Features**

- 17" comfort height seat
- Soap shelf
- End drain
- Tradition bath replacement size
- Integral tiling flange

**Compatible Shower Door**

| Abbott 60"  | Part # |
|-------------|--------|
| Chrome      | 57073  |
| Matte Black | 57074  |





## Barrier-Free

Single Threshold

Height: 2"

| Dimensions (Width x Depth)                                |    | Part# |
|---|----|-------|
| 48 x 36   |    | 72011 |
| 48 x 38   | NS | 72021 |
| 48 x 42   | NS | 72031 |
| 48 x 48   | NS | 72041 |
| 54 x 36   | NS | 72051 |
| 60 x 32   |    | 72081 |
| 60 x 34   | NS | 72111 |
| 60 x 36   |    | 72121 |
| 60 x 38   | NS | 72131 |
| 60 x 40   | NS | 72141 |
| 60 x 42   | NS | 72151 |
| Collapsible Threshold                                     |    | 05010 |
| End Caps for Collapsible Threshold (Barrier Free Showers) |    | 05011 |

NS: These sizes are made to order and are generally non-stocking items. Please allow for manufacturing time.  
NS models not returnable once ordered.

**12 | Aging In Place  
Shower Bases**



**Barrier-Free**

Single Threshold | End Drain

Height: 2"

| <b>Dimensions</b> (Width x Depth)                         | <b>LH-Drain #</b> | <b>RH-Drain #</b> |
|---|-------------------|-------------------|
| 60" x 30"   | 72061             | 72071             |
| 60" x 32"   | 72091             | 72101             |
| Collapsible Threshold                                     |                   | 05010             |
| End Caps for Collapsible Threshold (Barrier Free Showers) |                   | 05011             |

"Consult technical specifications for threshold heights and drain placements. Barrier free shower bases are not intended for installation with a shower door."