

# Product Catalogue Index



## Alcove Baths

Acrylic Baths.....10



## Clawfoot Baths

Acrylic Baths.....5  
Cast Iron Baths .....8



## Drop-In Baths

Corner Baths.....10  
Oval Baths .....12  
Rectangular Baths .....14



## Freestanding

Acrylic Baths.....13  
Cast Iron Baths .....44  
Composite Baths.....48



## Semi-Freestanding

Acrylic Baths.....7



## Shower Bases

Single Threshold Bases.....10  
Double Threshold Bases.....22  
Corner Bases.....27  
Receptors.....30

**Index continues  
on next page**

# Product Catalogue Index



**7**

## Doors

Bath Door & Screen .....	2
Single Threshold Doors .....	4
Double Threshold Doors .....	15
Corner Doors .....	23



**8**

## Basins

Counter-Top .....	2
Drop-In .....	15
Undermount .....	16
Pure .....	19



**9**

## Sinks

Kitchen Drop-In .....	2
Kitchen Undermount .....	7
Utility / Laundry .....	15



**10**

## Faucets

Freestanding .....	2
Wall & Deck Mount .....	6
Kitchen .....	7



**11**

## Toilets

Elongated .....	2
Round Front .....	2
Square Front .....	3
Parts .....	4



**12**

## Aging In Place

Walk-In Baths .....	7
Shower Bases .....	16

# Part Number Guide

---

<b>Part #'s</b>	<b>Description</b>
00000 - 09999	Various Accessories, Parts & Jetting / Spa Upgrades
10000 - 19999	Acrylic Kitchen & Laundry Sinks
20000 - 29999	Stainless Steel Kitchen & Laundry Sinks
30000 - 30199	Pure Composite Bathroom Basins
31000 - 31199	Toilets
36000 - 36999	Ceramic Bathroom Basins
40000 - 41999	Acrylic Alcove Baths
42000 - 44259	Acrylic Drop-In Baths
44260 - 44499	Acrylic Free-Standing Baths
46500 - 46599	Composite / Cast Iron Baths
50000 - 59999	Shower / Bath Doors
60000 - 69999	Shower Bases
70000 - 72999	Walk-In Baths, Barrier Free Shower Bases
80000 - 89999	Faucets

# Alcove Bath Quick Reference

## Upgrades & Accessories

### Upgrades

Info.....	3	Alcove Bath Skirt Compatibility.....	6
Compatibility .....	4	Standard Lateral Air & HydroMassage System ..	7
Options .....	5-6	Linear Overflow and Drain for Clear Linear Series...	8

54"	Dimensions	LH Drain #	RH Drain #	Page
Clear 5430	53 7/8" x 30" x 20 3/4"	41148	41149	11
Houdini 5430	53 7/8" x 30" x 21 3/4"	41233	41234	15

60"	Dimensions	LH Drain #	RH Drain #	Page
Brockton 6034	59 7/8" x 34" x 21 3/4"	41143	41144	10
Clear 6030	59 7/8" x 30" x 20 5/8"	41151	41152	11
Clear Linear 6030	59 7/8" x 30" x 20 1/4"	41151-L	41152-L	12
Clear 6030 16" Skirt	59 7/8" x 30" x 16"	41151-16	41152-16	11
Clear 6032	59 7/8" x 32" x 20 5/8"	41161	41162	11
Clear Linear 6032	59 7/8" x 32" x 20 1/4"	41161-L	41162-L	12
Clear 6032 16" Skirt	59 7/8" x 32" x 16"	41161-16	41162-16	11
Dixton 6030	59 7/8" x 30" x 20 1/2"	41241	41242	13
Dixton 6032	59 7/8" x 32" x 20 1/2"	41243	41244	13
Elegance 6032	59 7/8" x 32" x 21 3/4"	40710	40610	14
Lady Denmark Pure 6032	59 7/8" x 32" x 21 3/4"	41271P	41272P	17

## Alcove Bath Quick Reference

60"	Dimensions	LH Drain #	RH Drain #	Page
Robson 6030	59 7/8" x 30" x 20"	41069	41070	19
Robson 6032	59 7/8" x 32" x 20"	41066	41068	19
Robson Pure 6030	59 7/8" x 30" x 20"	41075	41076	20
Robson Pure 6032	59 7/8" x 32" x 20"	41077	41078	20
Simplicity Pure 6030	59 7/8" x 30" x 22 1/4"	41389	41390	21
Simplicity Pure 6032	59 7/8" x 32" x 23 1/4"	41399	41400	21
Victory 6028 (VB150A SKT)	59 7/8" x 27 1/2" x 24"	41131	41132	22
Woodward 6027	59 7/8" x 27" x 20"	41481	41482	23
66"	Dimensions	LH Drain #	RH Drain #	Page
Clear 6632	65 7/8" x 32" x 20 1/2"	41163	41164	11
Dixton 6632	65 7/8" x 32" x 20 1/2"	41245	41246	13
Lady Amsterdam Pure 6634	65 7/8" x 34" x 21 3/4"	41251P	41252P	16
Simplicity Pure 6630	65 7/8" x 30" x 22"	41404	41405	21
Simplicity Pure 6632	65 7/8" x 32" x 22"	41414	41415	21
72"	Dimensions	LH Drain #	RH Drain #	Page
Lady Rotterdam Pure 7234	71 7/8" x 34" x 21 3/4"	41321P	41322P	18
Lady Rotterdam Pure 7236	71 7/8" x 36" x 21 3/4"	41291P	41292P	18
Simplicity Pure 7232	71 7/8" x 32" x 22"	41425	41426	21
Simplicity Pure 7234	71 7/8" x 33 7/8" x 22"	41435	41436	21

## Alcove Bath Upgrades

---

### Chromatherapy

Immerse yourself within a sea of light created by a dual mini-light Chromatherapy system. Bathers can choose between red, orange, yellow, green, blue, turquoise, and magenta, or cycle through a range of 9 blended colours. Combine Chromatherapy with a massage system to create a total spa experience.

---

### Lateral Air

16 jets mounted around the perimeter of the bathing well infuse the water with a soothing stream of massaging bubbles. A ceramic heating core preheats the air as a 600-Watt Panasonic™ blower delivers a steady stream of warm air bubbles to the bather. Use the variable speed control pad to vary the intensity of the massage to your mood.

Enjoy peace of mind in knowing that all blowers are preprogrammed with an auto-drying cycle to clean and dry the system after every use.

---

### HydroMassage

The hydromassage is the most vigorous of all available upgrades, featuring a  $\frac{3}{4}$  hp high efficiency pump. Bath water circulates through 6 or more adjustable jets to deliver targeted massaging action with variable levels of intensity. Upgrade this massage system by adding additional jets or adding an in-line heater to help maintain your bath's water temperature.

---

### ComfortWarm™

ComfortWarm™ uses radiant heat technology to directly heat the surface of the bathtub's back-rest. Use the three heat settings to adjust the heat intensity at any time with a simple press of the electronic touchpad.

---

### VIBE Sound

The Vibe System allows you to enjoy your music or radio at the touch of a button in your shower or bathtub. The vibes of the music are synchronized with a Chromatherapy system that will change colors in synch with every beat of your favorite music.

---

### Aromatherapy

Only a few drops of fragrance are needed. The system works using a pump which leads the air towards the receptacle which is filled with a combination of water and a few essential oil drops. Once the aromatherapy system is turned on, the diffuser spreads the natural scent of the essential oil into the ambient air.

---

## Alcove Bath Upgrade Compatibility

Products	Lateral Air	HydroMassage	Chromatherapy	ComfortWarm™	VIBE Sound	Aromatherapy
	One of them can be only installed					
Brockton	+	+	+	+	I or II	+
Clear	+	+	+	+	I or II	+
Dixton	+	+	+	+	I or II	+
Elegance	+	+	+	+	I or II	+
Houdini	+	+	+	+	I or II	+
Lady Amsterdam Pure	+	+	+	+	I or II	+
Lady Denmark Pure	+	+	+	+	I or II	+
Lady Rotterdam Pure	+	+	+	+	I or II	+
Robson	+	+	+	+	I or II	+
Robson Pure	+	+	+	+	I or II	+
Simplicity Pure	+	+	+	+	I or II	+
Victory 6028 (VB150A SKT)	+	+	+	+	I or II	+
Woodward	+	+	+	+	I or II	+

\*VIBE Sound I = Keypad, VIBE Sound II = Remote Control

Please note for putting together multiple upgrades contact Acritec Customer Service at [customerservice@acritec.com](mailto:customerservice@acritec.com).

### Clicker Waste & Overflow Kit

Polished Chrome

Part #

01064



### Cable driven Mechanical Waste & Overflow Kit

Polished Chrome

Part #

01090



## Alcove Bath Upgrade Options

### Lateral Air

#### 16 Jet Air System

- White	00021
- Brushed Nickel	00023
- Polished Chrome	00024
- Remote control for air blower	00133
- Remote Location kit for air blower (12' extra cable & hose)	00131

<b>Variable Air Blower</b> (Replacement)	00180
--	-------



### HydroMassage

#### 6 Jet HydroMassage System

- White	00101
- Polished Chrome	00104

#### 8 Jet HydroMassage System

- White	00111
- Polished Chrome	00114

#### Add 1x HydroMassage Jet

- White	00151
- Polished Chrome	00154

<b>Inline HydroMassage Heater</b>	00171
-----------------------------------	-------

<b>110V 3/4HP Pump</b> (Replacement)	00260
--------------------------------------	-------

<b>Custom Jet System</b>	00155
--------------------------	-------

<b>Sound Deadening Pump Pad</b>	00160
---------------------------------	-------



### Chromatherapy Lights

	Part #
2 x White Finish	01020
2 x Chrome Finish	01021



### ComfortWarm™

<b>1x ComfortWarm™ Heated Backrest</b> (70W)	01040-01
--	----------

<b>2x ComfortWarm™ Heated Backrests</b> (2x35W)	01040-02
---	----------



## Alcove Bath Upgrade Options

### VIBE Sound System

#### VIBE I + Chromotherapy Lights

2x Speakers + 2x Chromotherapy Lights (**White Finish**) + **Advanced Keypad** 01022

2x Speakers + 2x Chromotherapy Lights (**Chrome Finish**) + **Advanced Keypad** 01023

#### VIBE II + Chromotherapy Lights (For Most Freestanding Tubs)

2x Speakers + 2x Chromotherapy Lights (**White Finish**) + **Remote Control** 01024

2x Speakers + 2x Chromotherapy Lights (**Chrome Finish**) + **Remote Control** 01025

### Aromatherapy System

Diffuser System + Keypad 01030



## Alcove Bath Skirt Compatibility

Products	Access Panel for Jetted Tub	Skirt Cut Off	*Wood Skirt standard 1/2" Backset (Including Skirt Removal)
Part Number	41990	02000	02010
Brockton	n/a	+	+
Clear	n/a	+	+
Clear Linear	n/a	+	+
Dixton	n/a	+	+
Elegance	+	+	+
Houdini	n/a	+	+
Lady Amsterdam Pure	n/a	+	+
Lady Denmark Pure	n/a	+	+
Lady Rotterdam Pure	n/a	+	+
Robson	+	+	+
Robson Pure	n/a	+	+
Simplicity Pure	n/a	+	+
Victory 6028 (VB150A SKT)	n/a	+	+
Woodward	n/a	+	+

\* 3/4" and 1" backsets are also available. Please specify when ordering.

\* **n/a = not available**

\* **+** = available

## Standard Pump Location of the Jetting System for Alcove Bath

Any deviation of the standard pump location refer to **00156 Custom Pump / Blower Location**

---



### Lateral Air System

---

16 Jet Air System



### HydroMassage System

---

6 Jet Hydromassage



### HydroMassage System

---

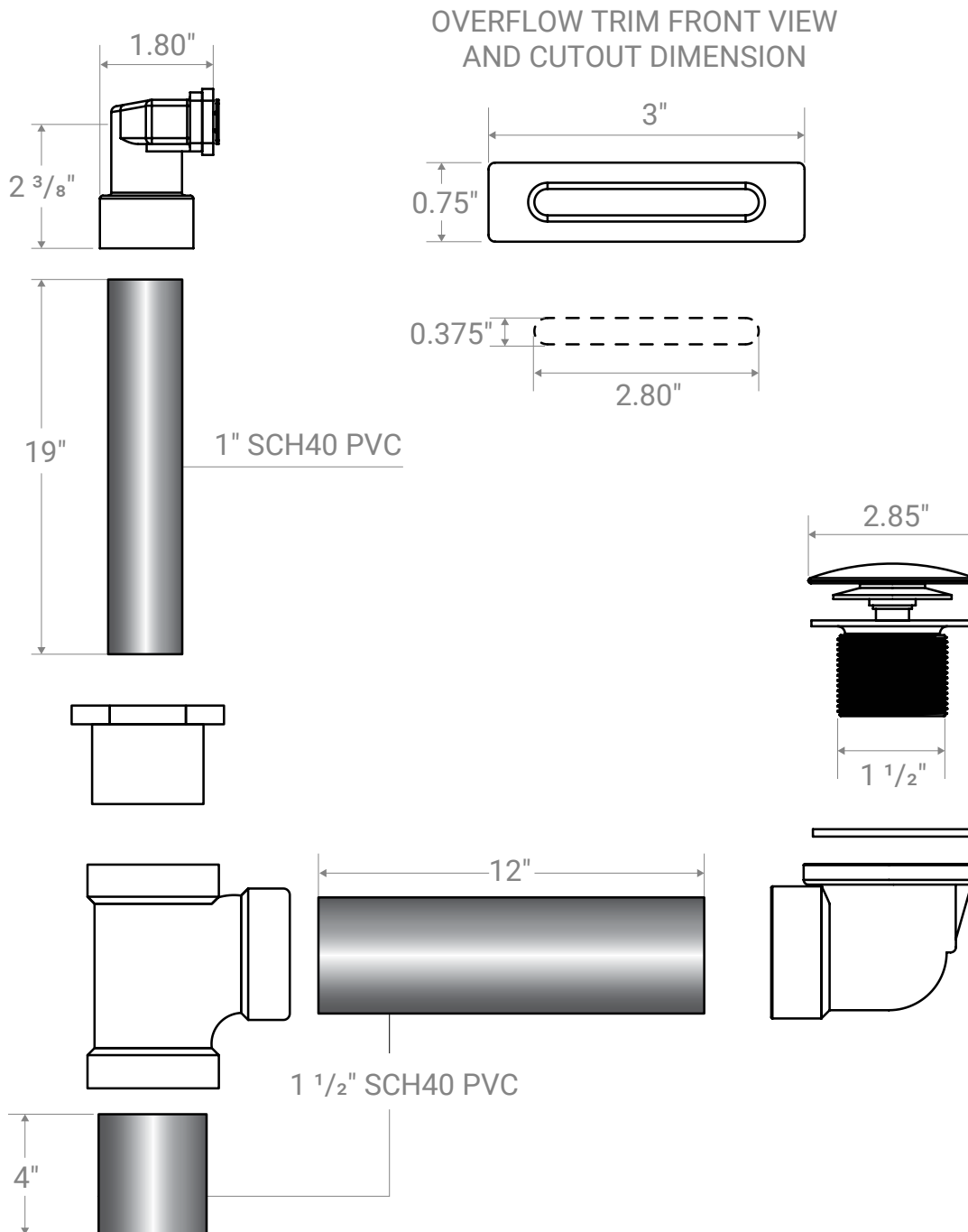
8 Jet Hydromassage

## Linear Overflow and Drain for Clear Linear Series (Refer to Page 12)

Chrome	01065
Brushed Nickel	01066
Matte Black	01067

### Design Features

- To be used on all Clear Linear series bath tubs.
- Kit includes linear overflow plate cover & clicker drain





## 08010

Pillow | Contoured | Compatible with all Acritec baths

---

**Dimensions**

11  $\frac{7}{8}$ " x 4  $\frac{3}{8}$ "

---

**Colour**

Black

---



## 08012

Pillow | Premium | Compatible with all Acritec baths

---

**Dimensions**

11  $\frac{1}{2}$ " x 6  $\frac{1}{2}$ "

---

**Colour**

Black

---



## 08014

Pillow | Contoured | For baths with rounded backrests

---

**Dimensions**

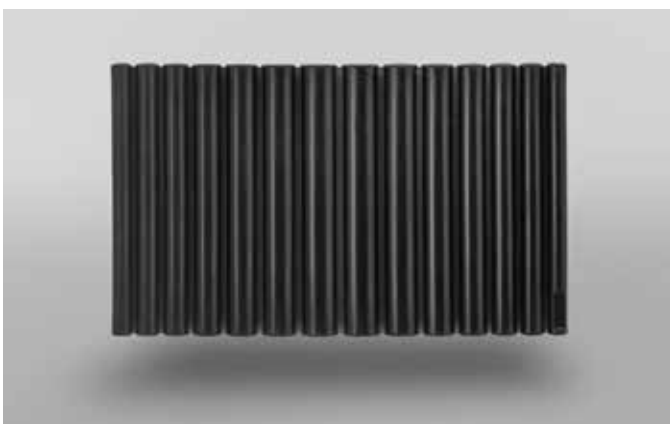
11  $\frac{1}{2}$ " x 3  $\frac{1}{8}$ "

---

**Colour**

Black

---



## 08016

Pillow | Premium | Compatible with all Acritec baths

---

**Dimensions**

15  $\frac{3}{4}$ " x 10  $\frac{1}{4}$ "

---

**Colour**

Black

---

1 | Alcove Baths



## Brockton 6034

<b>Brockton 6034</b>	<b>LH Drain #</b> 41143	<b>RH Drain #</b> 41144
----------------------	----------------------------	----------------------------

Dimension	Skirt Height	Immersion Depth	Approx. Weight	Approx. Water Capacity	Approx. Backrest Angle	Above Floor Rough-In
59 7/8" x 34"	21 3/4"	13 1/2"	~ 76 lbs	~ 41 US Gal.	120°	Yes

### Skirt Options (Refer to Page 6)

Skirt Cut Off (02000)      Wood Skirt 1/2", 3/4" or 1" Backset (02010)

### Upgrades (Refer to Page 3 & 7)

Chromatherapy      Lateral Air      HydroMassage      ComfortWarm™      VIBE Sound      Aromatherapy



**Clear**

	<b>LH Drain #</b>	<b>RH Drain #</b>
<b>Clear 5430</b>	41148	41149
<b>Clear 6030</b>	41151	41152
<b>Clear 6032</b>	41161	41162
<b>Clear 6030 Skirt 16"</b>	41151-16	41152-16
<b>Clear 6032 Skirt 16"</b>	41161-16	41162-16
<b>Clear 6632</b>	41163	41164

<b>Dimension</b>	<b>Skirt Height</b>	<b>Immersion Depth</b>	<b>Approx. Weight</b>	<b>Approx. Water Capacity</b>	<b>Approx. Backrest Angle</b>	<b>Above Floor Rough-In</b>
53 7/8" x 30"	20 3/4"	12 1/2"	~ 60 lbs	~ 40 US Gal.	120°	Yes
59 7/8" x 30"	20 5/8"	12 1/2"	~ 70 lbs	~ 45 US Gal.	120°	Yes
59 7/8" x 32"	20 5/8"	12 1/2"	~ 72 lbs	~ 54 US Gal.	120°	Yes
59 7/8" x 30"	16"	11 1/2"	~ 65 lbs	~ 38 US Gal.	120°	No
59 7/8" x 32"	16"	11 1/2"	~ 67 lbs	~ 40 US Gal.	120°	No
65 7/8" x 32"	20 1/2"	12 1/2"	~ 85 lbs	~ 60 US Gal.	116°	Yes

**Skirt Options (Refer to Page 6)**

Skirt Cut Off (02000)      Wood Skirt 1/2", 3/4" or 1" Backset (02010)

**Upgrades (Refer to Page 3 & 7)**

Chromatherapy      Lateral Air      HydroMassage      ComfortWarm™      VIBE Sound      Aromatherapy

## 1 | Alcove Baths



### Clear Linear

	LH Drain #	RH Drain #
<b>Clear Linear 6030</b>	41151-L	41152-L
<b>Clear Linear 6032</b>	41161-L	41162-L

Dimension	Skirt Height	Immersion Depth	Approx. Weight	Approx. Water Capacity	Approx. Backrest Angle	Above Floor Rough-In
59 7/8" x 30"	20 1/4"	13 1/2"	~ 70 lbs	~ 45 US Gal.	120°	Yes
59 7/8" x 32"	20 1/4"	13 1/2"	~ 72 lbs	~ 54 US Gal.	120°	Yes

#### Linear Overflow and Drain Options: Sold Separately (Refer to Page 8)

Chrome #01065                                      Brushed Nickel #01066                                      Matte Black #01067

#### Skirt Options (Refer to Page 6)

Skirt Cut Off (02000)                                      Wood Skirt 1/2", 3/4" or 1" Backset (02010)

#### Upgrades (Refer to Page 3 & 7)

Chromatherapy      Lateral Air      HydroMassage      ComfortWarm™      VIBE Sound      Aromatherapy



**Dixton**

	LH Drain #	RH Drain #
<b>Dixton 6030</b>	41241	41242
<b>Dixton 6032</b>	41243	41244
<b>Dixton 6632</b>	41245	41246

Dimension	Skirt Height	Immersion Depth	Approx. Weight	Approx. Water Capacity	Approx. Backrest Angle	Above Floor Rough-In
59 7/8" x 30"	20 1/2"	13"	~ 70 lbs	~ 45 US Gal.	120°	Yes
59 7/8" x 32"	20 1/2"	13"	~ 72 lbs	~ 48 US Gal.	120°	Yes
65 7/8" x 32"	20 1/2"	13"	~ 82 lbs	~ 53 US Gal.	120°	Yes

**Skirt Options (Refer to Page 6)**

Skirt Cut Off (02000)      Wood Skirt 1/2", 3/4" or 1" Backset (02010)

**Upgrades (Refer to Page 3 & 7)**

Chromatherapy      Lateral Air      HydroMassage      ComfortWarm™      VIBE Sound      Aromatherapy



1 | Alcove Baths



## Elegance 6032

<b>Elegance 6032</b>	<b>LH Drain #</b> 40710	<b>RH Drain #</b> 40610
----------------------	----------------------------	----------------------------

Dimension	Skirt Height	Immersion Depth	Approx. Weight	Approx. Water Capacity	Approx. Backrest Angle	Above Floor Rough-In
59 7/8" x 32"	21 3/4"	15 1/2"	~ 74 lbs	~ 44 US Gal.	123°	Yes

### Skirt Options (Refer to Page 6)

Access Panel (41990)	Skirt Cut Off (02000)	Wood Skirt 1/2", 3/4" or 1" Backset (02010)
----------------------	-----------------------	---

### Upgrades (Refer to Page 3 & 7)

Chromatherapy	Lateral Air	HydroMassage	ComfortWarm™	VIBE Sound	Aromatherapy
---------------	-------------	--------------	--------------	------------	--------------



## Houdini 5430

<b>Houdini 5430</b>	<b>LH Drain #</b> 41233	<b>RH Drain #</b> 41234
---------------------	----------------------------	----------------------------

Dimension	Skirt Height	Immersion Depth	Approx. Weight	Approx. Water Capacity	Approx. Backrest Angle	Above Floor Rough-In
53 7/8" x 30"	21 3/4"	14 1/4"	~ 65 lbs	~ 36 US Gal.	124°	Yes

### Skirt Options (Refer to Page 6)

Skirt Cut Off (02000)      Wood Skirt 1/2", 3/4" or 1" Backset (02010)

### Upgrades (Refer to Page 3 & 7)

Chromatherapy      Lateral Air      HydroMassage      ComfortWarm™      VIBE Sound      Aromatherapy

1 | Alcove Baths



## Lady Amsterdam Pure 6634

	<b>LH Drain #</b>	<b>RH Drain #</b>
<b>Lady Amsterdam Pure 6634</b>	41251P	41252P

Dimension	Skirt Height	Immersion Depth	Approx. Weight	Approx. Water Cap.	Approx. Backrest Angle	Above Floor Rough-In
65 7/8" x 34"	21 3/4"	15"	~ 82 lbs	~ 51 US Gal.	160°	No

**Skirt Options (Refer to Page 6)**

Skirt Cut Off (02000)      Wood Skirt 1/2", 3/4" or 1" Backset (02010)

**Upgrades (Refer to Page 3 & 7)**

Chromatherapy      Lateral Air      HydroMassage      ComfortWarm™      VIBE Sound      Aromatherapy



## Lady Denmark Pure 6032

<b>Lady Denmark Pure 6032</b>	<b>LH Drain #</b> 41271P	<b>RH Drain #</b> 41272P
-------------------------------	-----------------------------	-----------------------------

Dimension	Skirt Height	Immersion Depth	Approx. Weight	Approx. Water Cap.	Approx. Backrest Angle	Above Floor Rough-In
59 7/8" x 32"	21 3/4"	15 1/2"	~ 72 lbs	~ 45 US Gal.	132°	Yes

### Skirt Options (Refer to Page 6)

Skirt Cut Off (02000)      Wood Skirt 1/2", 3/4" or 1" Backset (02010)

### Upgrades (Refer to Page 3 & 7)

Chromatherapy      Lateral Air      HydroMassage      ComfortWarm™      VIBE Sound      Aromatherapy

## 1 | Alcove Baths



### Lady Rotterdam Pure

	LH Drain #	RH Drain #
Lady Rotterdam Pure 7234	41321P	41322P
Lady Rotterdam Pure 7236	41291P	41292P

Dimension	Skirt Height	Immersion Depth	Approx. Weight	Approx. Water Capacity	Approx. Backrest Angle	Above Floor Rough-In
71 7/8" x 34"	21 3/4"	15 1/2"	~ 72 lbs	~ 57 US Gal.	160°	No
71 7/8" x 36"	21 3/4"	15 1/2"	~ 72 lbs	~ 57 US Gal.	160°	No

#### Skirt Options (Refer to Page 6)

Skirt Cut Off (02000)      Wood Skirt 1/2", 3/4" or 1" Backset (02010)

#### Upgrades (Refer to Page 3 & 7)

Chromatherapy      Lateral Air      HydroMassage      ComfortWarm™      VIBE Sound      Aromatherapy



## Robson

	LH Drain #	RH Drain #
<b>Robson 6030</b>	41069	41070
<b>Robson 6032</b>	41066	41068

Dimension	Skirt Height	Immersion Depth	Approx. Weight	Approx. Water Capacity	Approx. Backrest Angle	Above Floor Rough-In
59 7/8" x 30"	20"	13 1/2"	~ 62 lbs	~ 37 US Gal.	118°	Yes
59 7/8" x 32"	20"	13 1/2"	~ 65 lbs	~ 37 US Gal.	118°	Yes

### Skirt Options (Refer to Page 6)

Access Panel (41990)	Skirt Cut Off (02000)	Wood Skirt 1/2", 3/4" or 1" Backset (02010)
----------------------	-----------------------	---

### Upgrades (Refer to Page 3 & 7)

Chromatherapy	Lateral Air	HydroMassage	ComfortWarm™	VIBE Sound	Aromatherapy
---------------	-------------	--------------	--------------	------------	--------------

## 1 | Alcove Baths



## Robson Pure

	LH Drain #	RH Drain #
Robson Pure 6030	41075	41076
Robson Pure 6032	41077	41078

Dimension	Skirt Height	Immersion Depth	Approx. Weight	Approx. Water Capacity	Approx. Backrest Angle	Above Floor Rough-In
59 7/8" x 30"	20"	13 1/2"	~ 62 lbs	~ 37 US Gal.	118°	Yes
59 7/8" x 32"	20"	13 1/2"	~ 65 lbs	~ 37 US Gal.	118°	Yes

### Skirt Options (Refer to Page 6)

Skirt Cut Off (02000)      Wood Skirt 1/2", 3/4" or 1" Backset (02010)

### Upgrades (Refer to Page 3 & 7)

Chromatherapy      Lateral Air      HydroMassage      ComfortWarm™      VIBE Sound      Aromatherapy



## Simplicity Pure

	LH Drain #	RH Drain #
<b>Simplicity Pure 6030</b>	41389	41390
<b>Simplicity Pure 6032</b>	41399	41400
<b>Simplicity Pure 6630</b>	41404	41405
<b>Simplicity Pure 6632</b>	41414	41415
<b>Simplicity Pure 7232</b>	41425	41426
<b>Simplicity Pure 7234</b>	41435	41436

Dimension	Skirt Height	Immersion Depth	Approx. Weight	Approx. Water Capacity	Approx. Backrest Angle	Above Floor Rough-In
59 7/8" x 30"	22 1/4"	14 3/4"	~ 70 lbs	~ 53 US Gal.	118°±2°	Yes
59 7/8" x 31 7/8"	23 1/4"	15 3/4"	~ 73 lbs	~ 55 US Gal.	110°±2°	Yes
65 7/8" x 30"	22"	16"	~ 80 lbs	~ 63 US Gal.	117°±2°	No
65 7/8" x 32"	22"	16"	~ 80 lbs	~ 63 US Gal.	118°±2°	No
71 7/8" x 32"	22"	14 1/2"	~ 87 lbs	~ 73 US Gal.	121°±2°	Yes
71 7/8" x 33 7/8"	22"	14 1/2"	~ 90 lbs	~ 73 US Gal.	121°±2°	Yes

### Skirt Options (Refer to Page 6)

Skirt Cut Off (02000)      Wood Skirt 1/2", 3/4" or 1" Backset (02010)

### Upgrades (Refer to Page 3 & 7)

Chromatherapy      Lateral Air      HydroMassage      ComfortWarm™      VIBE Sound      Aromatherapy



1 | Alcove Baths



**Victory 6028 (VB150A SKT)**

	<b>LH Drain #</b>	<b>RH Drain #</b>
<b>Victory 6028 (VB150A SKT)</b>	41131	41132

Dimension	Skirt Height	Immersion Depth	Approx. Weight	Approx. Water Capacity	Approx. Backrest Angle	Above Floor Rough-In
59 7/8 x 27 1/2"	24"	13"	~ 70 lbs	~ 40 US Gal.	135°	Yes

**Skirt Options (Refer to Page 6)**

Skirt Cut Off (02000)      Wood Skirt 1/2", 3/4" or 1" Backset (02010)

**Upgrades (Refer to Page 3 & 7)**

Chromatherapy      Lateral Air      HydroMassage      ComfortWarm™      VIBE Sound      Aromatherapy



## Vogue

	LH Drain #	RH Drain #
<b>Vogue 6030</b>	41441	41442
<b>Vogue 6032</b>	41443	41444

Dimension	Skirt Height	Immersion Depth	Approx. Weight	Approx. Water Capacity	Approx. Backrest Angle	Above Floor Rough-In
60" x 30"	20"	13 1/8"	~ 70 lbs	~ 45 US Gal.	121°	Yes
60" x 32"	20"	13 1/8"	~ 72 lbs	~ 54 US Gal.	121°	Yes



## Woodward 6027

<b>Woodward 6027</b>	<b>LH Drain #</b> 41481	<b>RH Drain #</b> 41482
----------------------	----------------------------	----------------------------

Dimension	Skirt Height	Immersion Depth	Approx. Weight	Approx. Water Capacity	Approx. Backrest Angle	Above Floor Rough-In
59 7/8" x 26 3/4"	20"	13"	~ 60 lbs	~ 35 US Gal.	120°	Yes

### Skirt Options (Refer to Page 6)

Skirt Cut Off (02000)      Wood Skirt 1/2", 3/4" or 1" Backset (02010)

### Upgrades (Refer to Page 3 & 7)

Chromatherapy      Lateral Air      HydroMassage      ComfortWarm™      VIBE Sound      Aromatherapy



# Clawfoot Quick Reference

---

## Upgrades & Accessories

---

### Clawfoot Finish Upgrades

Info & Compatibility ..... 2

### Wastes & Overflow

Info & Compatibility ..... 3

## Acrylic Clawfoot

---

Products	Dimensions	Item No.	Page
Antique 59	59" x 30 ¼" x 23 ¼"	43101	5
Rhapsody	68" x 28 ¼" x 31"	43171	6
Victorian 61	60 ½" x 29" x 30 ⅜"	43191	7
Victorian 67	66 ½" x 29" x 31 ¼"	43201	7

## Cast Iron Clawfoot

---

Products	Dimensions	Item No.	Page
Cetus 60	60" x 30" x 22 ⅜"	48010	8
Cetus 67	67" x 30" x 22 ⅜"	48012	8
Kelpie	72" x 30 ¾" x 28 ½"	48035	9
Triton 61	61" x 30 ¾" x 29 ⅜"	48020	10
Triton 67	66 ⅞" x 30 ¾" x 29 ⅜"	48022	10

## Clawfoot Bath Leg Finish Upgrades

**Brushed Nickel** Part #: 43990

**\*\*Antique** Part #: 43996

**Matte Black** Part #: 43993

**White** Part #: 43992

**Oil Rubbed Bronze**  
Part #: 43994



## Clawfoot Bath Leg Finish Upgrade Compatibility

*All Clawfoot baths come standard with chrome feet*

	Brushed Nickel	Matte Black	White	Oil Rubbed Bronze
<b>Acrylic</b>				
Antique	+ (**)	n/a	n/a	n/a
Rhapsody	+	+	+	+
Victorian	+	+	+	+
<b>Cast Iron</b>				
Cetus	n/a	n/a	n/a	n/a
Kelpie	n/a	n/a	n/a	n/a
Triton	n/a	n/a	n/a	n/a

\* n/a = not available

\* + = available

## Clawfoot Bath Waste & Overflow Kits

<b>Chrome Clicker</b> (Acrylic Clawfoot) Part #: 01076	<b>Chrome Plug &amp; Chain</b> (Acrylic Clawfoot) Part #: 01074	<b>Chrome Clicker and Plug &amp; Chain</b> (Acrylic and Cast Iron Clawfoot) Part #: 01060	<b>Brushed Nickel Plug &amp; Chain</b> (Acrylic Clawfoot) Part #: 01073	<b>O.R.B. Plug &amp; Chain</b> (Acrylic Clawfoot) Part #: 01077	<b>Matte Black Plug &amp; Chain</b> (Acrylic Clawfoot) Part #: 01072
--	---	---	---	---	--

## Waste & Overflow Kit Check List

Clawfoot baths do not come with waste & overflow kits. Must be ordered separately.

Acrylic	ChromeClicker Part #: 01076	Chrome Plug & Chain Part #: 01074	Chrome Clicker and Plug & Chain Part #: 01060	Brushed Nickel Plug & Chain Part #: 01073	O.R.B Plug & Chain Part #: 01077	Matte Black Plug & Chain Part #: 01072
Antique	+	+	+	+	+	+
Rhapsody	+	+	+	+	+	+
Victorian	+	+	+	+	+	+
<b>Cast Iron</b>						
Cetus	+	n/a	+	n/a	n/a	n/a
Kelpie	+	n/a	+	n/a	n/a	n/a
Triton	+	n/a	+	n/a	n/a	n/a

\* n/a = not available

\* + = available

2 | Clawfoot Baths  
Upgrades & Accessories



## 08010

Pillow | Contoured | Compatible with all Acritec baths

---

**Dimensions**

11  $\frac{7}{8}$ " x 4  $\frac{3}{8}$ "

---

**Colour**

Black

---



## 08012

Pillow | Premium | Compatible with all Acritec baths

---

**Dimensions**

11  $\frac{1}{2}$ " x 6  $\frac{1}{2}$ "

---

**Colour**

Black

---



## 08014

Pillow | Contoured | For baths with rounded backrests

---

**Dimensions**

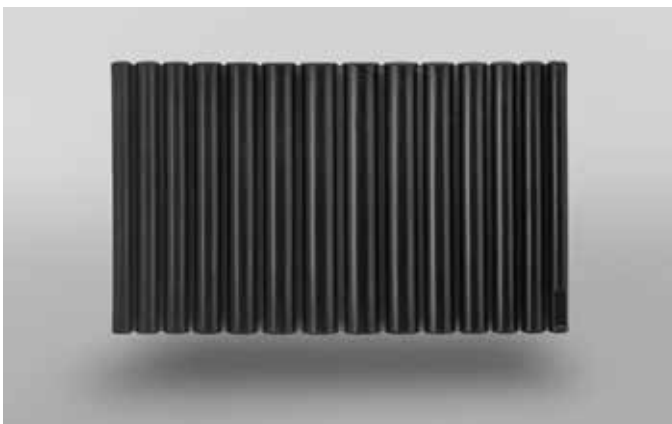
11  $\frac{1}{2}$ " x 3  $\frac{1}{8}$ "

---

**Colour**

Black

---



## 08016

Pillow | Premium | Compatible with all Acritec baths

---

**Dimensions**

15  $\frac{3}{4}$ " x 10  $\frac{1}{4}$ "

---

**Colour**

Black

---





## Antique 59

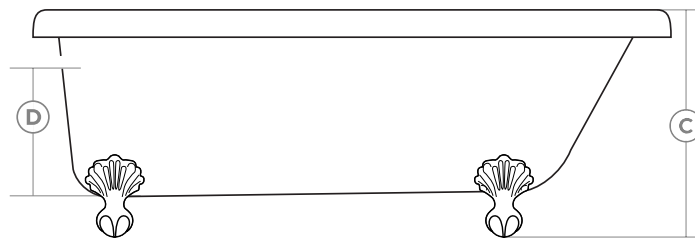
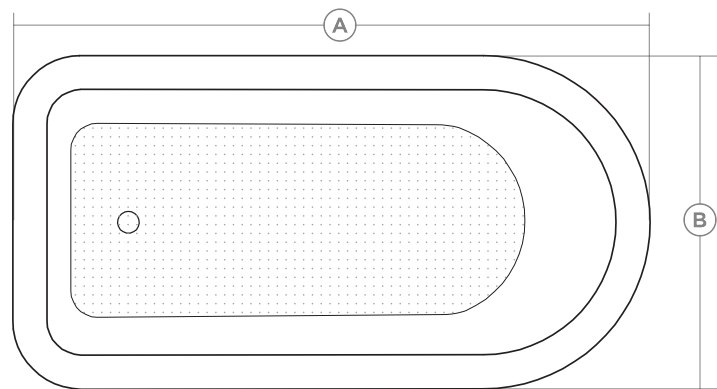
Part # 43101

### Material

Acrylic

### Features

- High gloss finish on interior & exterior surfaces
- Factory installed legs
- End drain
- Lightly textured floor
- Deck mount faucet compatible
- Gently sloping backrest
- Factory installed chrome legs

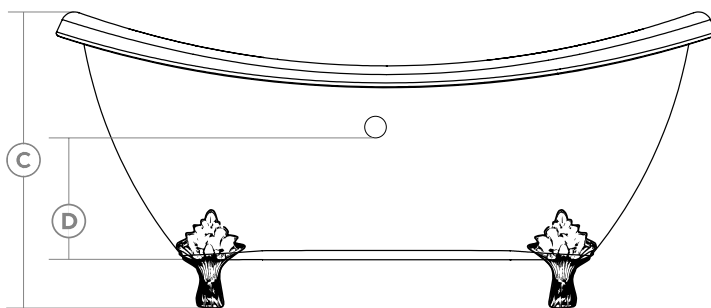
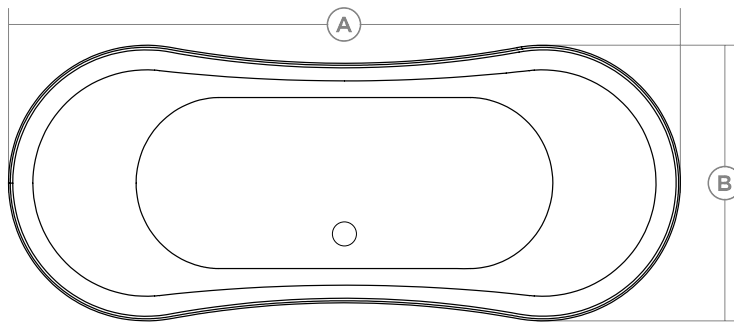


### Upgrades (See pages 2-3 for detail)

- Colored feet : Brushed Nickel
- W&O Options

A Length	B Width	C Height	D Immersion Depth
59"	30 ¼"	23 ¼"	12 ¼"

**2 | Clawfoot Baths**  
**Acrylic**



<b>A</b> Length	<b>B</b> Width	<b>C</b> Height	<b>D</b> Immersion Depth
68"	28 ¼"	31"	11 ½"

## Rhapsody

**Part #** 43171

**Material**

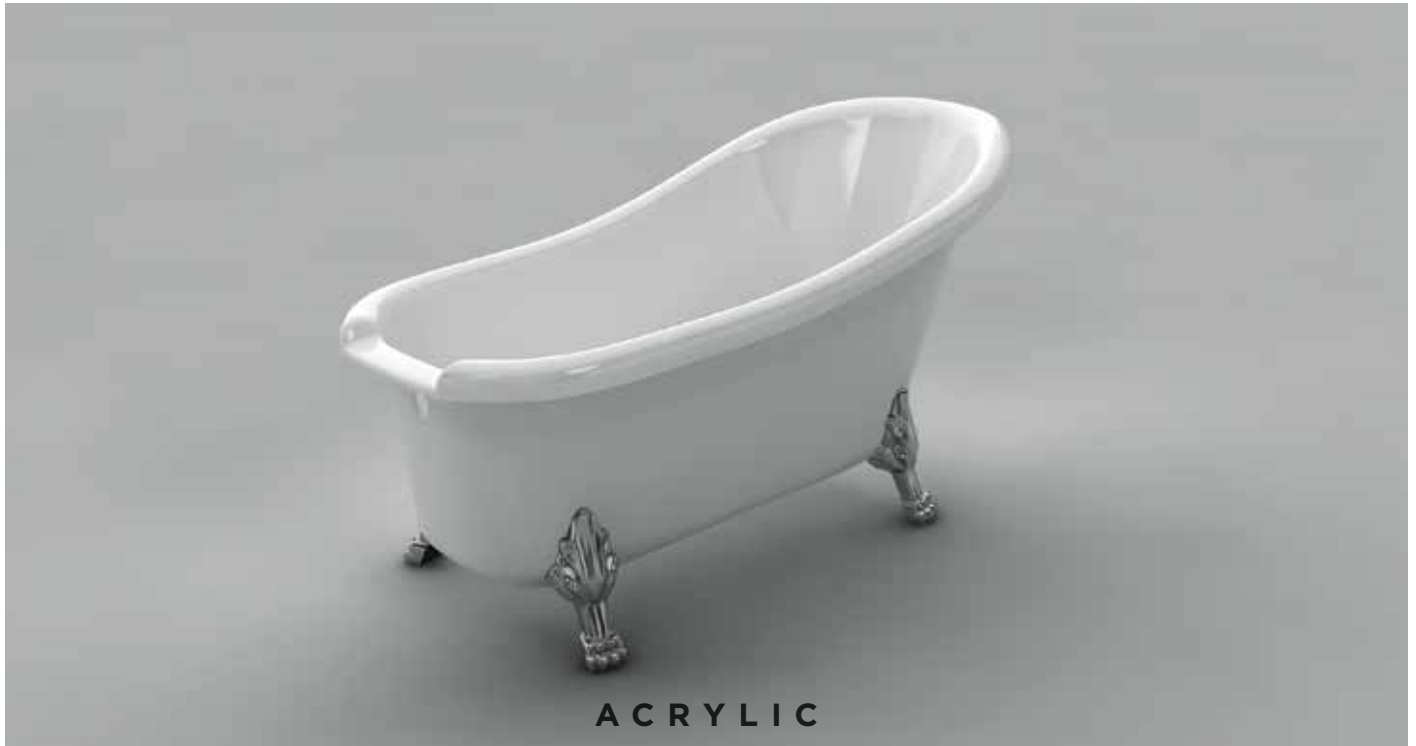
Acrylic

**Features**

- High gloss finish on interior & exterior surfaces
- Factory installed chrome legs
- Offset centre drain
- Smooth floor
- Gently sloping backrest

**Upgrades** (See pages 2-3 for detail)

- Colored feet : Matte Black, ORB, Brushed Nickel etc
- W&O Options



## Victorian

### Part #

61" - 43191

67" - 43201

### Material

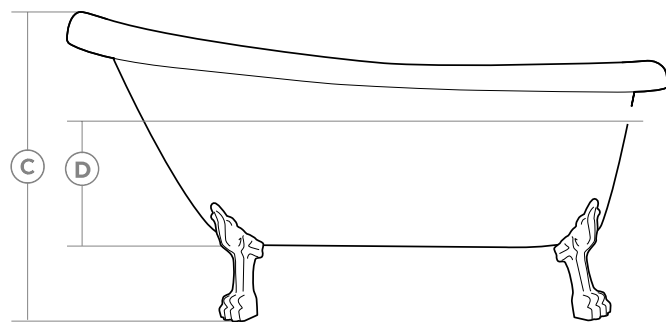
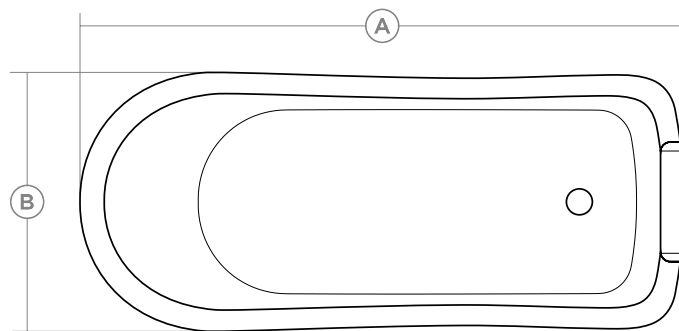
Acrylic

### Features

- High gloss finish on interior & exterior surfaces
- Factory installed chrome legs
- End drain
- Smooth floor
- Deck mount faucet compatible
- Gently sloping backrest

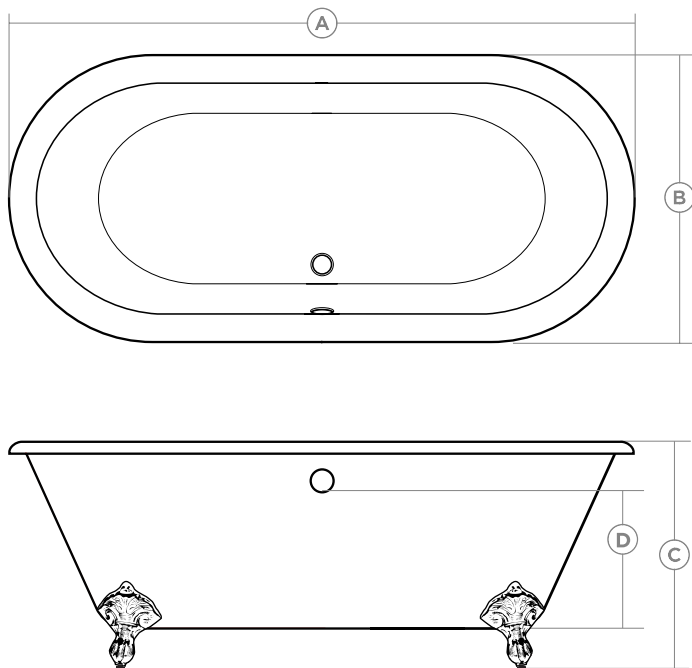
### Upgrades (See pages 2-3 for detail)

- Colored feet : Matte Black, ORB, Brushed Nickel etc
- W&O Options



	<b>A</b> Length	<b>B</b> Width	<b>C</b> Height	<b>D</b> Immersion Depth
60 ½"	60 ½"	28 ¾"	30 ⅜"	12 ⅞"
66 ½"	66 ½"	28 ¾"	31 ¼"	12 ⅞"

**2 | Clawfoot Baths**  
**Cast Iron**



**Cetus**

**Part #**

**60"** - 48010

**67"** - 48012

**Material**

Cast Iron

**Features**

- Double ended bathing well
- Rolled rim
- Gently sloping backrest
- Smooth floor
- Offset centre drain
- Includes chrome legs, shipped separately

<b>A</b> Length	<b>B</b> Width	<b>C</b> Height	<b>D</b> Immersion Depth
60"	30"	22 3/8"	14"
67"	30"	22 3/8"	14"

**Upgrades** (See page 3 for detail)

- W&O Options



**Kelpie**

**Part #** 48035

**Material**

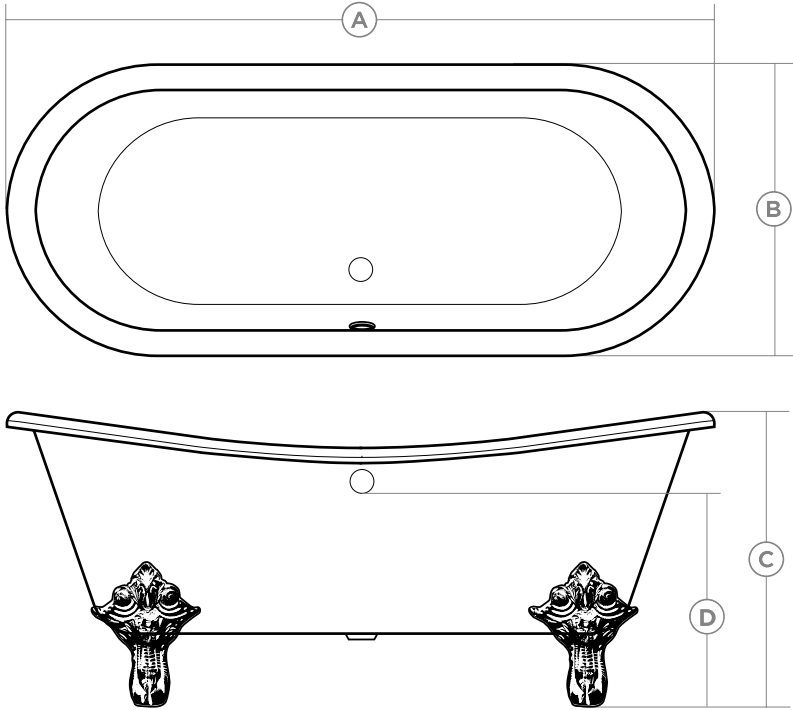
Cast Iron

**Features**

- Double ended bathing well
- Rolled rim
- Gently sloping backrest
- Smooth floor
- Centre drain
- Includes chrome legs, shipped separately

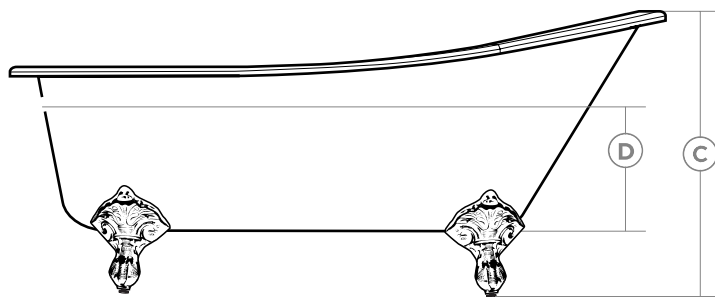
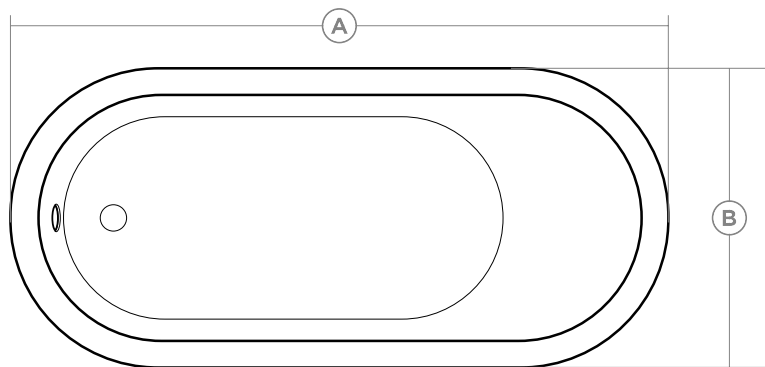
**Upgrades** (See page 3 for detail)

- W&O Options



A Length	B Width	C Height	D Immersion Depth
72"	30 ¾"	28 ½"	15"

**2 | Clawfoot Baths**  
**Cast Iron**



A Length	B Width	C Height	D Immersion Depth
61"	30 3/4"	29 3/8"	14"
66 7/8"	30 3/4"	29 3/8"	14"

**Triton**

**Part #**

61" - 48020

67" - 48022

**Material**

Cast Iron

**Features**

- Rolled rim
- Gently sloping backrest
- Smooth floor
- End drain
- Includes chrome legs, shipped separately

**Upgrades** (See page 3 for detail)

- W&O Options

# Drop-In Bath Quick Reference

---

## Upgrades & Accessories

---

### Upgrades

Info.....	3
Compatibility .....	4
Options .....	5-6

### Accessories

Info.....	6
Standard Lateral Air System.....	7
Standard HydroMassage System.....	8

## Corner Baths

---

Products	Dimensions	Item No.	Page
Boudoir LH	60" x 42" x 21"	42041	10
Boudoir RH	60" x 42" x 21"	42042	10
Contessa	60" x 60" x 22 ½"	42081	10
Goddess 60	60" x 60" x 19 ½"	42121	11
Tissot	54" x 54" x 19 ⅝"	42133	11

## Oval Baths

---

Products	Dimensions	Item No.	Page
Casablanca	62" x 35" x 21"	42231	12
JF180A	72" x 34 ⅝" x 17 ½"	44161	12
Marrakesh	68" x 35" x 21"	42251	13
Tiffany	55" x 39 ½" x 31 ⅞"	44355	13

## Drop-In Bath Quick Reference

### Rectangular Baths

Products	Dimensions	Item No.	Page
Amsterdam	65 <sup>3</sup> / <sub>4</sub> " x 35 <sup>1</sup> / <sub>2</sub> " x 20 <sup>7</sup> / <sub>8</sub> "	42331	14
Aura	65 <sup>3</sup> / <sub>4</sub> " x 31 <sup>1</sup> / <sub>2</sub> " x 20"	42333	14
Balla 60	59 <sup>1</sup> / <sub>2</sub> " x 31 <sup>3</sup> / <sub>4</sub> " x 19"	42343	15
Balla 66	65 <sup>1</sup> / <sub>2</sub> " x 31 <sup>1</sup> / <sub>2</sub> " x 19"	42344	15
Balla 72	71 <sup>1</sup> / <sub>4</sub> " x 35 <sup>1</sup> / <sub>2</sub> " x 18 <sup>1</sup> / <sub>4</sub> "	42345	15
Denmark	60" x 35 <sup>7</sup> / <sub>8</sub> " x 20"	42354	15
Freya Therapeutica	72" x 47 <sup>1</sup> / <sub>2</sub> " x 24 <sup>1</sup> / <sub>2</sub> "	42371	16
Heritage	72" x 42" x 22"	42381	16
		42391-1	17
		42391-2	17
Kobe	65" x 31 <sup>3</sup> / <sub>4</sub> " x 21 <sup>1</sup> / <sub>2</sub> "	42391-3	17
		42391-4	17
		42421-1	17
		42421-2	17
Kyoto	59 <sup>1</sup> / <sub>2</sub> " x 32 <sup>1</sup> / <sub>4</sub> " x 21 <sup>1</sup> / <sub>4</sub> "	42421-3	17
		42421-4	17
Lounge	65 <sup>1</sup> / <sub>4</sub> " x 32" x 21 <sup>3</sup> / <sub>4</sub> "	44225	18
Rotterdam	71" x 35 <sup>1</sup> / <sub>2</sub> " x 21"	42461	18
Stanley	60" x 32" x 20"	42471	19
Vincent 59	59" x 29 <sup>1</sup> / <sub>2</sub> " x 18 <sup>7</sup> / <sub>8</sub> "	44216	19
Vincent 67	67" x 31 <sup>1</sup> / <sub>2</sub> " x 18 <sup>7</sup> / <sub>8</sub> "	44218	19
William	71" x 35" x 25 <sup>1</sup> / <sub>2</sub> "	45211	20



## Drop-In Bath Upgrades

---

### Chromatherapy

Immerse yourself within a sea of light created by a dual mini-light Chromatherapy system. Bathers can choose between red, orange, yellow, green, blue, turquoise, and magenta, or cycle through a range of 9 blended colours. Combine Chromatherapy with a massage system to create a total spa experience.

---

### Lateral Air

16 jets mounted around the perimeter of the bathing well infuse the water with a soothing stream of massaging bubbles. A ceramic heating core preheats the air as a 600-Watt Panasonic™ blower delivers a steady stream of warm air bubbles to the bather. Use the variable speed control pad to vary the intensity of the massage to your mood.

Enjoy peace of mind in knowing that all blowers are preprogrammed with an auto-drying cycle to clean and dry the system after every use.

---

### HydroMassage

The hydromassage is the most vigorous of all available upgrades, featuring a  $\frac{3}{4}$  hp high efficiency pump. Bath water circulates through 6 or more adjustable jets to deliver targeted massaging action with variable levels of intensity. Upgrade this massage system by adding additional jets or adding an in-line heater to help maintain your bath's water temperature.

---

### ComfortWarm™

ComfortWarm™ uses radiant heat technology to directly heat the surface of the bathtub's back-rest. Use the three heat settings to adjust the heat intensity at any time with a simple press of the electronic touchpad.

---

### VIBE Sound

The Vibe System allows you to enjoy your music or radio at the touch of a button in your shower or bathtub. The vibes of the music are synchronized with a Chromatherapy system that will change colors in synch with every beat of your favorite music.

---

### Aromatherapy

Only a few drops of fragrance are needed. The system works using a pump which leads the air towards the receptacle which is filled with a combination of water and a few essential oil drops. Once the aromatherapy system is turned on, the diffuser spreads the natural scent of the essential oil into the ambient air.

---

## Drop-In Bath Upgrade Compatibility

Products	Chromatherapy	LateralAir	HydroMassage	ComfortWarm™	VIBE Sound	Aromatherapy
Amsterdam	+	+	+	+	I or II	+
Aura	+	+	+	+	I or II	+
Balla 60/66/72	+	+	+	x2	I or II	+
Boudoir	+	+	+	+	I or II	+
Casablanca	+	+	+	+	I or II	+
Contessa	+	+	+	x2	I or II	+
Denmark	+	+	+	+	I or II	+
Freya Therapeutica	+	+	+	x2	I or II	+
Goddess 60	+	+	+	x2	I or II	+
Heritage	+	+	+	x2	I or II	+
JF180A	+	+	+	x2	I or II	+
Kobe	+	+	+	+	I or II	+
Kyoto	+	+	+	+	I or II	+
Lounge	+	+	+	+	I or II	+
Marrakesh	+	+	+	+	I or II	+
Rotterdam	+	+	+	+	I or II	+
Stanley	+	+	+	+	I or II	+
Tiffany	+	+	+	+	I or II	+
Tissot	+	+	+	x2	I or II	+
Vincent 59/67	+	+	+	+	I or II	+
William	+	+	+	+	I or II	+

\* n/a = not available \* + = available

\*VIBE Sound I = Keypad, VIBE Sound II = Remote Control

Please note for putting together multiple upgrades contact Acritec Customer Service at [customerservice@acritec.com](mailto:customerservice@acritec.com).

## Drop-In Bath Upgrade Options

<b>Lateral Air</b>	
<b>16 Jet Air System</b>	
- White	00021
- Brushed Nickel	00023
- Polished Chrome	00024
- Remote control for air blower	00133
- Remote Location kit for air blower (12' extra cable & hose)	00131
<b>Variable Air Blower</b> (Replacement)	00180



<b>HydroMassage</b>	
<b>6 Jet HydroMassage System</b>	
- White	00101
- Polished Chrome	00104
<b>8 Jet HydroMassage System</b>	
- White	00111
- Polished Chrome	00114
<b>Add 1x HydroMassage Jet</b>	
- White	00151
- Polished Chrome	00154
<b>Inline HydroMassage Heater</b>	00171
<b>110V 3/4HP Pump</b> (Replacement)	00260



<b>Custom Jet System</b>	00155
<b>Sound Deadening Pump Pad</b>	00160

<b>Chromatherapy Lights</b>	<b>Part #</b>
2 x White Finish	01020
2 x Chrome Finish	01021



<b>ComfortWarm™</b>	
<b>1x ComfortWarm™ Heated Backrest</b> (70W)	01040-01
<b>2x ComfortWarm™ Heated Backrests</b> (2x35W)	01040-02

## Drop-In Bath Upgrade Options

### VIBE Sound System

#### VIBE I + Chromotherapy Lights

2x Speakers + 2x Chromotherapy Lights (**White Finish**) + **Advanced Keypad** 01022

2x Speakers + 2x Chromotherapy Lights (**Chrome Finish**) + **Advanced Keypad** 01023

#### VIBE II + Chromotherapy Lights (For Most Freestanding Tubs)

2x Speakers + 2x Chromotherapy Lights (**White Finish**) + **Remote Control** 01024

2x Speakers + 2x Chromotherapy Lights (**Chrome Finish**) + **Remote Control** 01025

### Aromatherapy System

Diffuser System + Keypad 01030



## Drop-In Bath Accessories

### Accessories

### Part #

#### Grab Bar - 6" (Installed)

- Clear / Gold Inserts 01002

- White 01003

#### Grab Bar - 10" (Installed)

- Chrome 01004

#### 144" Plastic Tiling Flange (Supply Only) 02040

#### 144" Plastic Tiling Flange (Flange Factory Installed) 02040.02050

#### 64" Plastic Tiling Flange (Supply Only) 02041

#### 64" Plastic Tiling Flange (Flange Factory Installed) 02041.02050

#### 78" Aluminum Tiling Flange (Supply Only) 02042

#### 78" Aluminum Tiling Flange (Flange Factory Installed) 02042.02050

### Clicker Waste & Overflow Kit

### Part #

Polished Chrome 01064

### Cable driven Mechanical Waste & Overflow Kit

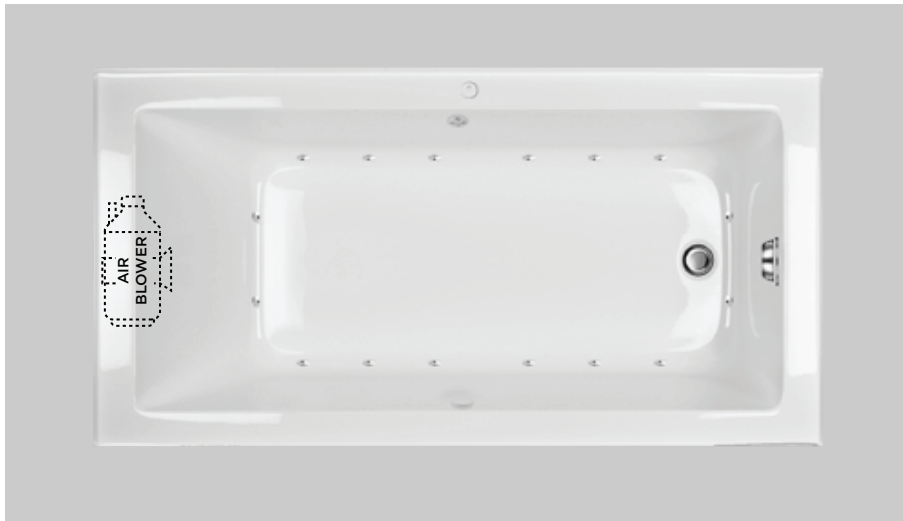
### Part #

Polished Chrome 01090



## Standard Location of the Air Blower for Drop-In Bath

Any deviation of the standard blower location refer to **00156 Custom Pump / Blower Location**



### Rectangular End Drain

16 Jet Air System



### Rectangular Middle Drain

16 Jet Air System



### Corner

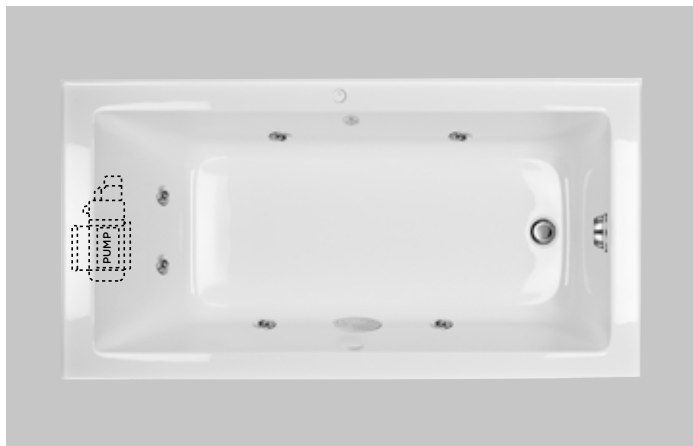
16 Jet Air System

## Standard Location of the Water Pump for Drop-In Bath

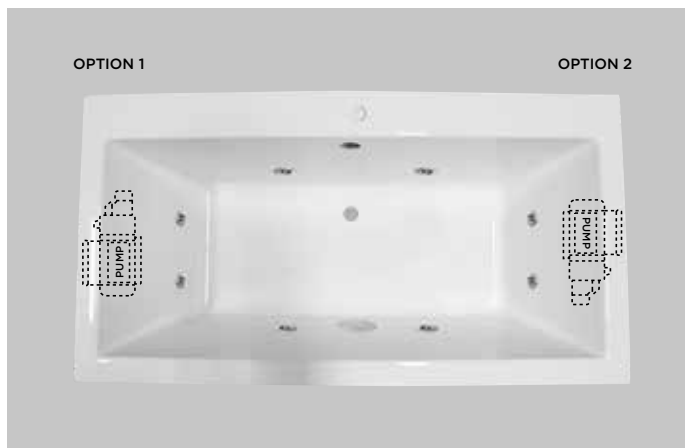
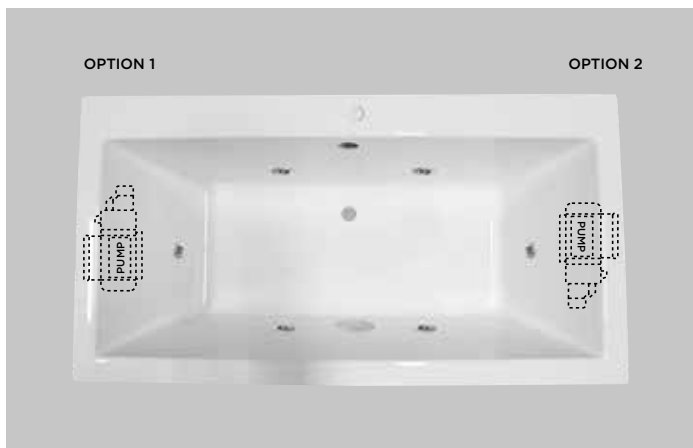
Any deviation of the standard pump location refer to **00156 Custom Pump / Blower Location**

### 6 Jet HydroMassage System

### 8 Jet HydroMassage System



**Rectangular End Drain**



**Rectangular Middle Drain**



**Corner**



## 08010

Pillow | Contoured | Compatible with all Acritec baths

---

**Dimensions**

11  $\frac{7}{8}$ " x 4  $\frac{3}{8}$ "

---

**Colour**

Black

---



## 08012

Pillow | Premium | Compatible with all Acritec baths

---

**Dimensions**

11  $\frac{1}{2}$ " x 6  $\frac{1}{2}$ "

---

**Colour**

Black

---



## 08014

Pillow | Contoured | For baths with rounded backrests

---

**Dimensions**

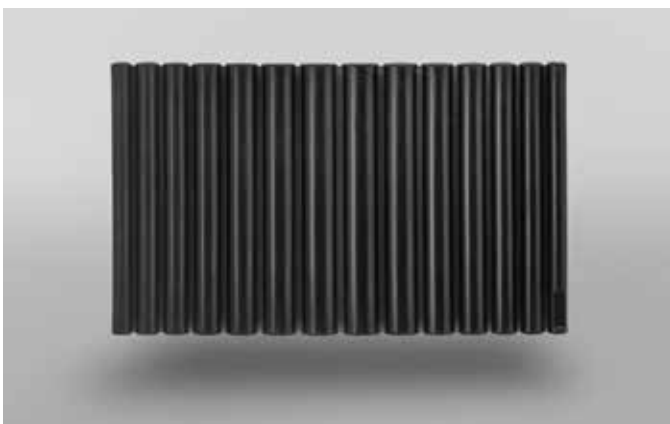
11  $\frac{1}{2}$ " x 3  $\frac{1}{8}$ "

---

**Colour**

Black

---



## 08016

Pillow | Premium | Compatible with all Acritec baths

---

**Dimensions**

15  $\frac{3}{4}$ " x 10  $\frac{1}{4}$ "

---

**Colour**

Black

---

### 3 | Drop-In Baths Corner

## Boudoir

---

#### Part #

LH - 42041

---

RH - 42042

---

#### Dimensions

60" x 42" x 21"

---

#### Immersion Depth

14 ¼"

---

#### Upgrades (See pg. 3-9 for details)

---

Chromatherapy

Lateral Air

HydroMassage

ComfortWarm™

VIBE Sound

Aromatherapy

Left Hand  
Shown



## Contessa

---

Part # 42081

---

#### Dimensions

60" x 60" x 22 ½"

---

#### Immersion Depth

13 ¼"

---

#### Upgrades (See pg. 3-9 for details)

---

Chromatherapy

Lateral Air

HydroMassage

2 x ComfortWarm™

VIBE Sound

Aromatherapy







## Goddess 60

---

**Part #** 42121

---

**Dimensions**

60" x 60" x 19 1/2"

---

**Immersion Depth**

14 1/2"

---

**Upgrades** (See pg. 3-9 for details)

---

Chromatherapy  
Lateral Air  
HydroMassage  
2 x ComfortWarm™  
VIBE Sound  
Aromatherapy



## Tissot

---

**Part #** 42133

---

**Dimensions**

54" x 54" x 19 5/8"

---

**Immersion Depth**

16 1/2"

---

**Upgrades** (See pg. 3-9 for details)

---

Chromatherapy  
Lateral Air  
HydroMassage  
2 x ComfortWarm™  
VIBE Sound  
Aromatherapy

**3 | Drop-In Baths**  
**Oval**

**Casablanca**

---

**Part #** 42231

---

**Dimensions**

62" x 35" x 21"

---

**Immersion Depth**

15 ¼"

---

**Upgrades** (See pg. 3-9 for details)

---

Chromatherapy

Lateral Air

HydroMassage

ComfortWarm™

VIBE Sound

Aromatherapy



**JF180A**

---

**Part #** 44161

---

**Dimensions**

72" x 34 ⅝" x 17 ½"

---

**Immersion Depth**

12 ¾"

---

**Upgrades** (See pg. 3-9 for details)

---

Chromatherapy

Lateral Air

HydroMassage

2 x ComfortWarm™

VIBE Sound

Aromatherapy





## Marrakesh

---

**Part #** 42251

---

**Dimensions**

68" x 35" x 21"

---

**Immersion Depth**

15 ½"

---

**Upgrades** (See pg. 3-9 for details)

---

Chromatherapy

Lateral Air

HydroMassage

ComfortWarm™

VIBE Sound

Aromatherapy



## Tiffany

---

**Part #** 44355

---

**Dimensions**

55" x 39 ½" x 31 ⅞"

---

**Immersion Depth**

28 ½"

---

**Upgrades** (See pg. 3-9 for details)

---

Chromatherapy

Lateral Air

HydroMassage

ComfortWarm™

VIBE Sound

Aromatherapy

**3 | Drop-In Baths  
Rectangular**

## **Amsterdam**

---

**Part #** 42331

---

**Dimensions**

65 <sup>3</sup>/<sub>4</sub>" x 35 <sup>1</sup>/<sub>2</sub>" x 20 <sup>7</sup>/<sub>8</sub>"

---

**Immersion Depth**

16 <sup>1</sup>/<sub>2</sub>"

---

**Upgrades** (See pg. 3-9 for details)

---

Chromatherapy

Lateral Air

HydroMassage

ComfortWarm™

VIBE Sound

Aromatherapy



## **Aura**

---

**Part #** 42333

---

**Dimensions**

65 <sup>3</sup>/<sub>4</sub>" x 31 <sup>1</sup>/<sub>2</sub>" x 20"

---

**Immersion Depth**

15 <sup>1</sup>/<sub>2</sub>"

---

**Upgrades** (See pg. 3-9 for details)

---

Chromatherapy

Lateral Air

HydroMassage

ComfortWarm™

VIBE Sound

Aromatherapy





\* Undermount Compatible

## Balla

---

**Part #**

60" - 42343

---

66" - 42344

---

72" - 42345

---

**Dimensions**

Variable, please refer to spec sheets on website

---

**Immersion Depth**

12 1/2"

---

**Upgrades** (See pg. 3-9 for details)

---

Chromatherapy  
Lateral Air  
HydroMassage  
2 x ComfortWarm™  
VIBE Sound  
Aromatherapy

## Denmark

---

**Part #** 42354

---

**Dimensions**

60"x 35 7/8" x 20"

---

**Immersion Depth**

14 1/4"

---

**Upgrades** (See pg. 3-9 for details)

---

Chromatherapy  
Lateral Air  
HydroMassage  
ComfortWarm™  
VIBE Sound  
Aromatherapy



**3 | Drop-In Baths  
Rectangular**

## **Freya Therapeutica**

**Part #** 42371

---

**Dimensions**

72" x 47 ½" x 24 ½"

---

**Immersion Depth**

19"

---

**Upgrades** (See pg. 3-9 for details)

---

Chromatherapy

Lateral Air

HydroMassage

2 x ComfortWarm™

VIBE Sound

Aromatherapy



## **Heritage**

**Part #** 42381

---

**Dimensions**

72" x 42" x 22"

---

**Immersion Depth**

14 ½"

---

**Upgrades** (See pg. 3-9 for details)

---

Chromatherapy

Lateral Air

HydroMassage

2 x ComfortWarm™

VIBE Sound

Aromatherapy





## Kobe

---

**Lip + Part #**

1" - 42391-1

---

2" - 42391-2

---

3" - 42391-3

---

4" - 42391-4

---

**Dimensions**

65" x 31 3/4" x 21 1/2"

---

**Immersion Depth**

15 1/2"

---

**Upgrades** (See pg. 3-9 for details)

Chromatherapy

Lateral Air

HydroMassage

ComfortWarm™

VIBE Sound

Aromatherapy



## Kyoto

---

**Lip + Part #**

1" - 42421-1

---

2" - 42421-2

---

3" - 42421-3

---

4" - 42421-4

---

**Dimensions**

59 1/2" x 32 1/4" x 21 1/4"

---

**Immersion Depth**

16"

---

**Upgrades** (See pg. 3-9 for details)

Chromatherapy

Lateral Air

HydroMassage

ComfortWarm™

VIBE Sound

Aromatherapy

### 3 | Drop-In Baths Rectangular

## Lounge

---

Part # 44225

---

### Dimensions

65 ¼" x 32" x 21 ¾"

---

### Immersion Depth

13 ½"

---

**Upgrades** (See pg. 3-9 for details)

---

- Grab Bar
- Chromatherapy
- Lateral Air
- HydroMassage
- ComfortWarm™
- VIBE Sound
- Aromatherapy



## Rotterdam

---

Part # 42461

---

### Dimensions

71" x 35 ½" x 21"

---

### Immersion Depth

15"

---

**Upgrades** (See pg. 3-9 for details)

---

- Chromatherapy
- Lateral Air
- HydroMassage
- ComfortWarm™
- VIBE Sound
- Aromatherapy







## Stanley

---

**Part #** 42471

---

**Dimensions**

60" x 32" x 20"

---

**Immersion Depth**

15 1/2"

---

**Upgrades** (See pg. 3-9 for details)

---

Chromatherapy

Lateral Air

HydroMassage

ComfortWarm™

VIBE Sound

Aromatherapy



## Vincent

---

**Part #**

**59"** - 44216

---

**67"** - 44218

---

**Dimensions**

**59"** - 59" x 29 1/2" x 18 7/8"

---

**67"** - 67" x 31 1/2" x 18 7/8"

---

**Immersion Depth**

12"

---

**Upgrades** (See pg. 3-9 for details)

---

Chromatherapy

Lateral Air

HydroMassage

ComfortWarm™

VIBE Sound

Aromatherapy

# William

---

**Part #**

45211

---

**Dimensions**

71" x 35" x 25 ½"

---

**Immersion Depth**

17"

---

**Upgrades** (See pg. 3-9 for details)

Chromatherapy

Lateral Air

HydroMassage

ComfortWarm™

VIBE Sound

Aromatherapy



# Freestanding Bath Quick Reference

## Upgrades & Accessories

### Acrylic

Upgrade Compatibility ..... 5-6  
 Options ..... 6-7  
 Accessories & Compatibility... 8-9

### Cast Iron

Upgrade & Accessories..... 10

### Composite

Upgrade & Accessories..... 11

### Acrylic

54" - 60"	Dimensions	Part #	Page
Cadence	59" x 31 1/2" x 23 5/8"	44403	16
Claude 54	54" x 31 1/8" x 28 3/8"	44330	19
Claude 59	59" x 27 3/4" x 27 3/4"	44331	19
- Black	59" x 27 3/4" x 27 3/4"	44331-BLK	19
Marlo	59 7/8" x 31 7/8" x 23 5/8"	44343	29
Monaco 54	53 3/4" x 31 1/2" x 23 5/8"	44457	31
<b>Monaco 59</b>	59" x 31 1/2" x 23 5/8"	44459	31
- Black	59" x 31 1/2" x 23 5/8"	44459-BLK	31
Olivia	60" x 31 1/2" x 30"	44329	32
Renoir 59	59" x 29 1/2" x 23 1/2"	44313	34
Toulon	59" x 31 1/2" x 23 5/8"	44466	40
Vanessa (Closed Back)	59" x 29 5/8" x 22 7/8"	44335.1	42
Zaria	59 1/4" x 29 5/8" x 23 5/8"	44380	43

63" - 65"	Dimensions	Part #	Page
Catalina	63" x 35 1/2" x 22 7/8"	44425	17
Marseille	62 5/8" x 29 5/8" x 22 1/2"	44351	30
Monaco 63	63" x 31 3/8" x 23 5/8"	44460	31

## 4 | Freestanding Baths

### Acrylic

66" - 69"	Dimensions	Part #	Page
Antoine	66 ¼" x 31 ⅛" x 28 ¾"	44369	13
Arya	68 ½" x 30 ⅞" x 30 ¼"	44317	14
Bianca	67" x 29" x 33"	44345	15
Clarice	67" x 33 ½" x 23 ¼"	44407	18
Daphne	67" x 33 ½" x 22 ⅞"	44408	20
Degas	67" x 29 ½" x 28 ⅜"	46055	21
Elsie	66 ⅞" x 29 ½" x 22 ⅞"	44352	22
<b>Hawthorne</b>	67" x 29 ½" x 27"	44361	24
- Grey	67" x 29 ½" x 27"	44362	24
<b>Hayden</b>	68 ¼" x 28 ½" x 29 ¾"	44347	25
- Gold	68 ¼" x 28 ½" x 29 ¾"	44347-06	25
- Silver	68 ¼" x 28 ½" x 29 ¾"	44347-05	25
<b>Lyon</b>	66 ⅞" x 31 ¼" x 23 ½"	44271	27
- Black	66 ⅞" x 31 ¼" x 23 ½"	44271_Black	28
Monaco 67	66 ⅞" x 31 ½" x 23 ⅝"	44462	31
<b>Penelope</b>	66 ¼" x 31 ½" x 23 ⅝"	44471	33
- Black	66 ¼" x 31 ½" x 23 ⅝"	44471-BLK	33
Renoir 67	67" x 31 ⅞" x 23 ½"	44315	34
Sandor	68 ¾" x 31" x 27 ⅜"	44337	35
Sansa	69" x 31 ⅞" x 27"	44327	36
Sherin	67" x 29 ½" x 27 ½"	44333	37
<b>Theo</b>	68 ½" x 31 ½" x 26 ¾"	44377	38
- Gold	68 ½" x 31 ½" x 26 ¾"	44377-06	38
- Silver	68 ½" x 31 ½" x 26 ¾"	44377-05	38
Tours	66 ¾" x 31 ½" x 23 ¼"	44322	41
<b>70"+</b>	<b>Dimensions</b>	<b>Part #</b>	<b>Page</b>
Florence	70 ⅞" x 31 ½" x 31 ½"	44480	23

## Freestanding Cast Iron Bath Quick Reference

### Cast Iron

66"	Dimensions	Part #	Page
Kraken White Skirt	66" x 28" x 29"	48042	44
67"	Dimensions	Part #	Page
Lusca Skirt - White	67" x 26 ½" x 28"	48040	45
- Satin	67" x 26 ½" x 28"	48040-02	46
- Black	67" x 26 ½" x 28"	48040-05	46
- Mirror	67" x 26 ½" x 28"	48040-08	46
Makara	66 ⅞" x 30" x 32"	48025	47

## Freestanding Composite Bath Quick Reference

### Composite

63"~65"	Dimensions	Part #	Page
Aida	63" x 34" x 22 ⅞"	46520	48
Palermo	63 ⅜" x 28" x 22 ¼"	46507	53
66"~69"	Dimensions	Part #	Page
Delfina	66 ⅝" x 30 ¼" x 21"	46522	49
Justina	66 ½" x 29 ¾" x 28 ¾"	46524	52
Juliet	67 ¼" x 31 ¼" x 22 ½"	46521	51
Poeta	67 ½" x 31 ½" x 21 ¼"	46523	54
Gauguin	68" x 40 ½" x 25 ¾"	46512	50
70"+	Dimensions	Part #	Page
Sicilian	70 ¾" x 31 ½" x 21 ½"	46513	55

## **Freestanding Bath Upgrades**

---

### **Chromatherapy**

Immerse yourself within a sea of light created by a dual mini-light Chromatherapy system. Bathers can choose between red, orange, yellow, green, blue, turquoise, and magenta, or cycle through a range of 9 blended colours. Combine Chromatherapy with a massage system to create a total spa experience.

---

### **Lateral Air**

16 jets mounted around the perimeter of the bathing well infuse the water with a soothing stream of massaging bubbles. A ceramic heating core preheats the air as a 600-Watt Panasonic™ blower delivers a steady stream of warm air bubbles to the bather. Use the variable speed control pad to vary the intensity of the massage to your mood.

Enjoy peace of mind in knowing that all blowers are preprogrammed with an auto-drying cycle to clean and dry the system after every use.

---

### **Roughin EZ**

The Roughin EZ Drain provides an easy way to install a free standing bathtub. Kit includes a reusable test plug, twist lock coupling, brass tailpiece, nut and flat washer.

---

### **ComfortWarm™**

ComfortWarm™ uses radiant heat technology to directly heat the surface of the bathtub's back-rest. Use the three heat settings to adjust the heat intensity at any time with a simple press of the electronic touchpad.

---

### **VIBE Sound**

The Vibe System allows you to enjoy your music or radio at the touch of a button in your shower or bathtub. The vibes of the music are synchronized with a Chromatherapy system that will change colors in synch with every beat of your favorite music.

---

### **Aromatherapy**

Only a few drops of fragrance are needed. The system works using a pump which leads the air towards the receptacle which is filled with a combination of water and a few essential oil drops. Once the aromatherapy system is turned on, the diffuser spreads the natural scent of the essential oil into the ambient air.

---

## Freestanding Acrylic Bath Upgrade Compatibility

Products	ComfortWarm™	Roughin EZ	Chromatherapy	Lateral Air	VIBE Sound	Aromatherapy
Antoine	x2	+	+	n/a	II	n/a
Arya	n/a	+	n/a	n/a	II	n/a
Bianca	n/a	+	n/a	n/a	II	n/a
Cadence	x2	+	n/a	n/a	II	n/a
Catalina	x1	+	+	+	I or II	+
Clarice	x2	+	+	+	I or II	+
Claude	x1	+	n/a	n/a	II	n/a
Daphne	x2	+	+	+	I or II	+
Degas	n/a	+	n/a	n/a	II	n/a
Elsie	x2	+	n/a	n/a	II	n/a
Florence	x1	+	+	n/a	II	n/a
Hawthorne	n/a	+	n/a	n/a	II	n/a
Hayden	x2	+	n/a	n/a	I or II	n/a
Lyon	x2	+	+	+	I or II	+
Marlo	x1	+	+	+	I or II	+
Marseille	x2	+	+	+	I or II	+
Monaco	n/a	+	n/a	n/a	II	n/a
Olivia	x1	+	+	+	I or II	+
Penelope	x2	+	n/a	n/a	I or II	n/a
Renoir	x2	+	+	+	II	n/a
Sandor	n/a	+	n/a	n/a	II	n/a

\* n/a = not available \* + = available

\*VIBE Sound I = Keypad, VIBE Sound II = Remote Control

Please note for putting together multiple upgrades contact Acritec Customer Service at [customerservice@acritec.com](mailto:customerservice@acritec.com).

## Freestanding Acrylic Bath Upgrade Compatibility

Products	ComfortWarm™	Roughin EZ	Chromatherapy	Lateral Air	VIBE Sound	Aromatherapy
Sansa	n/a	+	n/a	n/a	II	n/a
Sherin	x1	+	n/a	n/a	I or II	n/a
Theo	x2	+	n/a	n/a	II	n/a
Toulon	x2	+	+	+	I or II	n/a
Tours	x2	+	n/a	n/a	II	n/a
Vanessa (Closed Back)	x2	+	+	n/a	I or II	+
Zaria	n/a	+	n/a	n/a	II	n/a

\* n/a = not available \* + = available

\*VIBE Sound I = Keypad, VIBE Sound II = Remote Control

Please note for putting together multiple upgrades contact Acritec Customer Service at [customerservice@acritec.com](mailto:customerservice@acritec.com).

## Freestanding Acrylic Bath Upgrade Options

### Lateral Air

#### 16 Jet Air System

- White 00021

- Brushed Nickel 00023

- Polished Chrome 00024

- Remote control for air blower 00133

- Remote Location kit for air blower (12' extra cable & hose) 00131

Sound Deadening Pump Pad 00160

Variable Air Blower (Replacement) 00180

Custom Jet System 00155





## Freestanding Acrylic Bath Upgrade Options

Chromatherapy Lights	Part #
2 x White Finish	01020
2 x Chrome Finish	01021



VIBE Sound System	
VIBE I + Chromatherapy Lights	
2x Speakers + 2x Chromatherapy Lights ( <b>White Finish</b> ) + <b>Advanced Keypad</b>	01022
2x Speakers + 2x Chromatherapy Lights ( <b>Chrome Finish</b> ) + <b>Advanced Keypad</b>	01023
VIBE II + Chromatherapy Lights (For Most Freestanding Tubs)	
2x Speakers + 2x Chromatherapy Lights ( <b>White Finish</b> ) + <b>Remote Control</b>	01024
2x Speakers + 2x Chromatherapy Lights ( <b>Chrome Finish</b> ) + <b>Remote Control</b>	01025



Aromatherapy System	
Diffuser System + Keypad	01030



ComfortWarm™	Part #
1x ComfortWarm™ Heated Backrest (70W)	01040-01
2x ComfortWarm™ Heated Backrests (2x35W)	01040-02

Roughin EZ	
Easy installation drain kit	01086

### Roughin EZ

The Roughin EZ Drain provides an easy way to install a free standing bathtub. Kit includes a reusable test plug, twist lock coupling, brass tailpiece, nut and flat washer.



## Freestanding Acrylic Bath Accessories

**Popup Drain Only** (for slotted freestanding tubs) Part #

Polished Chrome	01089
Brushed Nickel	01091
Matte Black	01092
Oil Rubbed Bronze	01093
Polished Gold	01094
White	01095
Brass Assembly	01098
Drain Stopper (Replacement)	01099



**Popup Drain + Overflow Cover Plate** Part #

Polished Chrome	01085
Brushed Nickel	01080
Matte Black	01084
Oil Rubbed Bronze	01079
Polished Gold	01078

\*Overflow cover plate for upgraded finishes need to be factory installed.



## Freestanding Acrylic Bath Accessories Compatibility

Products	Upgraded Finishes				
	Chrome	Brushed Nickel	Black	Oil Rubbed Bronze	Gold
Antoine	+	+	+	+	+
Arya	+	+	+	+	+
Bianca	+	+	+	+	+
Cadence	+	+	+	+	+
Catalina	+	+	+	+	+
Clarice	+	+	+	+	+
Claude 54/59	+	+	+	+	+
Daphne	+	+	+	+	+
Degas	+	+	+	+	+
Elsie	+	+	+	+	+
Florence	+	+	+	+	+
Hawthorne	+	+	+	+	+
Hayden	+	+	+	+	+
Lyon	+	+	+	+	+
Marlo	+	+	+	+	+
Marseille	+	+	+	+	+
Monaco	+	+	+	+	+
Olivia	+	+	+	+	+
Penelope	+	+	+	+	+
Renoir 59/67	+	+	+	+	+
Sandor	+	+	+	+	+
Sansa	+	+	+	+	+
Sherin	+	+	+	+	+
Theo	+	+	+	+	+
Toulon	+	+	+	+	+
Tours	+	+	+	+	+
Vanessa (Closed Back)	+	+	+	+	+
Zaria	+	+	+	+	+

\* n/a = not available \* + = available

## Freestanding Cast Iron Bath Accessories

### Waste & Overflow Chrome

Part #: 01060

Chrome waste & overflow kit

**CLICKER and PLUG & CHAIN**

## Freestanding Cast Iron Bath Upgrades & Accessories Compatibility

Products	Waste & Overflow (Chrome)
Kraken	+
Lusca	+
Makara	+

\* n/a = not available \* + = available



## Freestanding Composite Bath Upgrade Compatibility

---

<b>Products</b>	<b>n/a</b>
Aida	n/a
Delfina	n/a
Juliet	n/a
Justina	n/a
Poeta	n/a
Gauguin	n/a
Palermo	n/a
Sicilian	n/a

\* n/a = not available    \* + = available

4 | Freestanding Baths  
Upgrades & Accessories



## 08010

Pillow | Contoured | Compatible with all Acritec baths

---

**Dimensions**

11  $\frac{7}{8}$ " x 4  $\frac{3}{8}$ "

---

**Colour**

Black

---



## 08012

Pillow | Premium | Compatible with all Acritec baths

---

**Dimensions**

11  $\frac{1}{2}$ " x 6  $\frac{1}{2}$ "

---

**Colour**

Black

---



## 08014

Pillow | Contoured | For baths with rounded backrests

---

**Dimensions**

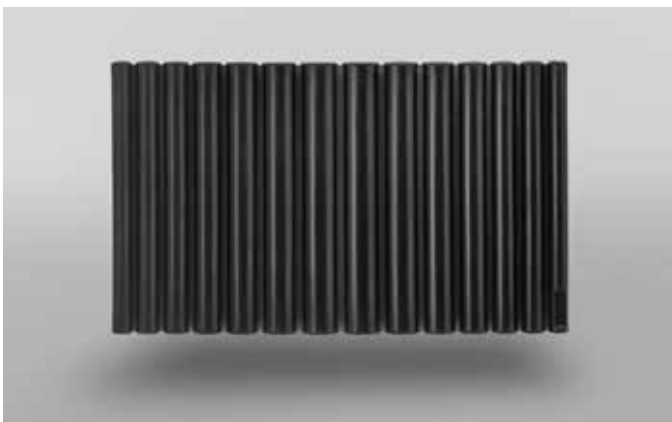
11  $\frac{1}{2}$ " x 3  $\frac{1}{8}$ "

---

**Colour**

Black

---



## 08016

Pillow | Premium | Compatible with all Acritec baths

---

**Dimensions**

15  $\frac{3}{4}$ " x 10  $\frac{1}{4}$ "

---

**Colour**

Black

---



## Antoine

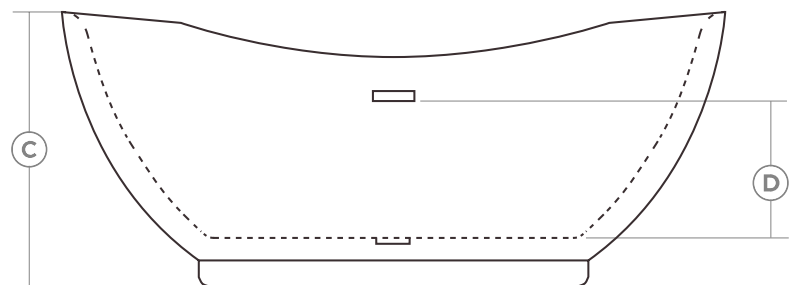
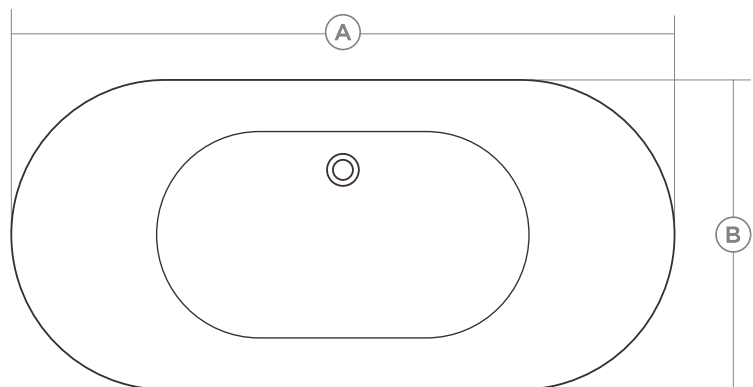
Part # 44369

### Features

- Seamless one-piece design
- Overflow plate included
- Clicker style pop-up drain
- Flow through style drain
- Internal steel frame
- Adjustable legs

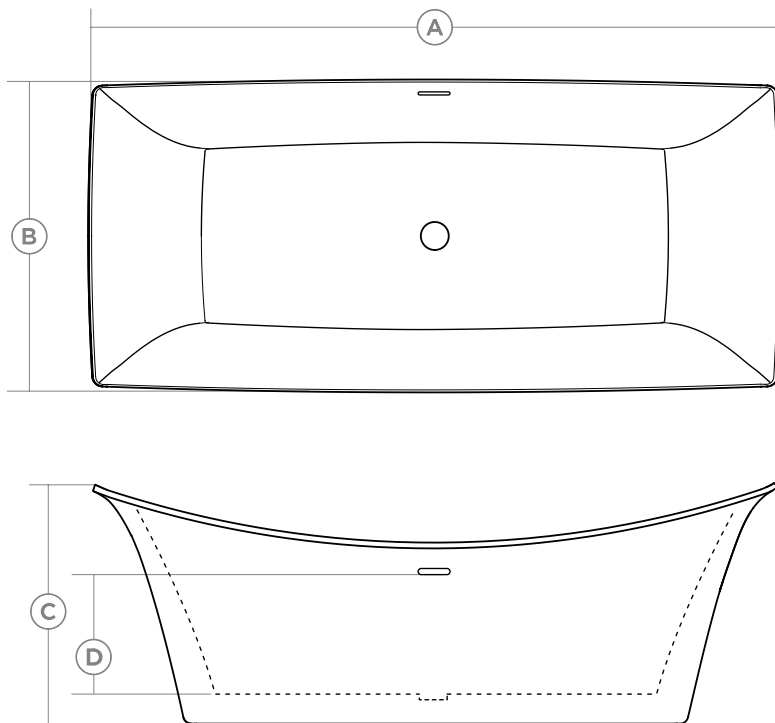
### Upgrades (See pg. 3-12 for details)

- Chromatherapy
- Roughin EZ Drain
- 2 x ComfortWarm™
- VIBE Sound
- Colored drain options available  
(See pg. 8-9 in this section)



A Length	B Width	C Height	D Immersion Depth
66 ¼"	31 ⅛"	28 ¾"	14"

4 | Freestanding Baths  
Acrylic



## Arya

Part # 44317

### Features

- Seamless one-piece design
- Slotted overflow
- Clicker style pop-up drain
- Flow through style drain
- Internal steel frame
- Adjustable legs

### Upgrades (See pg. 3-12 for details)

- Roughin EZ Drain
- VIBE Sound
- Colored drain options available (See pg. 8-9 in this section)

A Length	B Width	C Height	D Immersion Depth
68 ½"	30 ⅞"	30 ¼"	14"





## Bianca

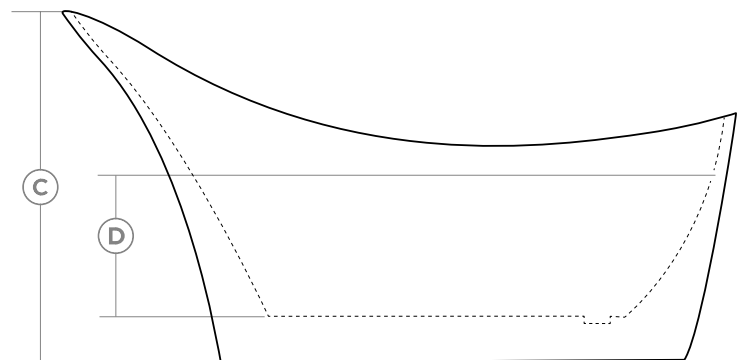
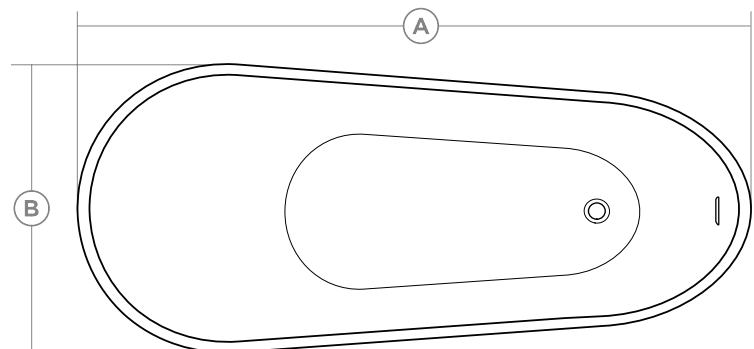
Part # 44345

### Features

- Seamless one-piece design
- Slotted overflow
- Clicker style pop-up drain
- Flow through style drain
- Internal steel frame
- Adjustable legs

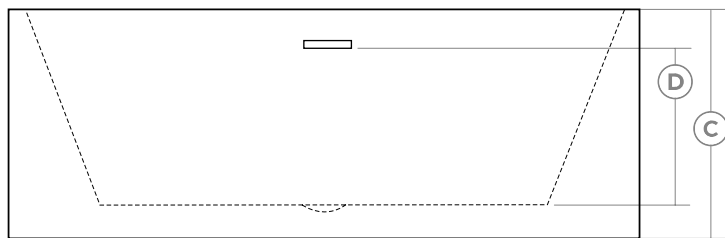
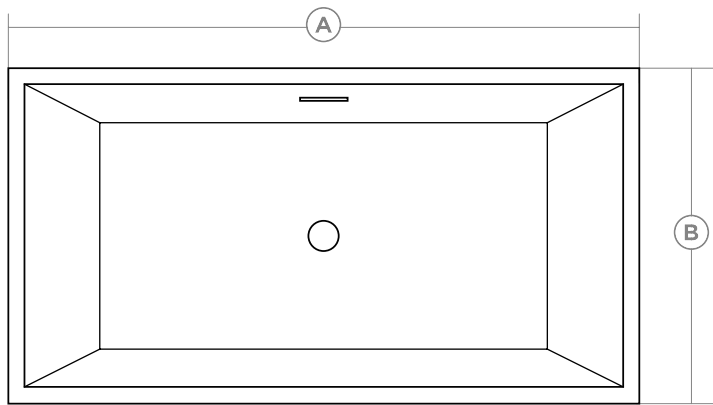
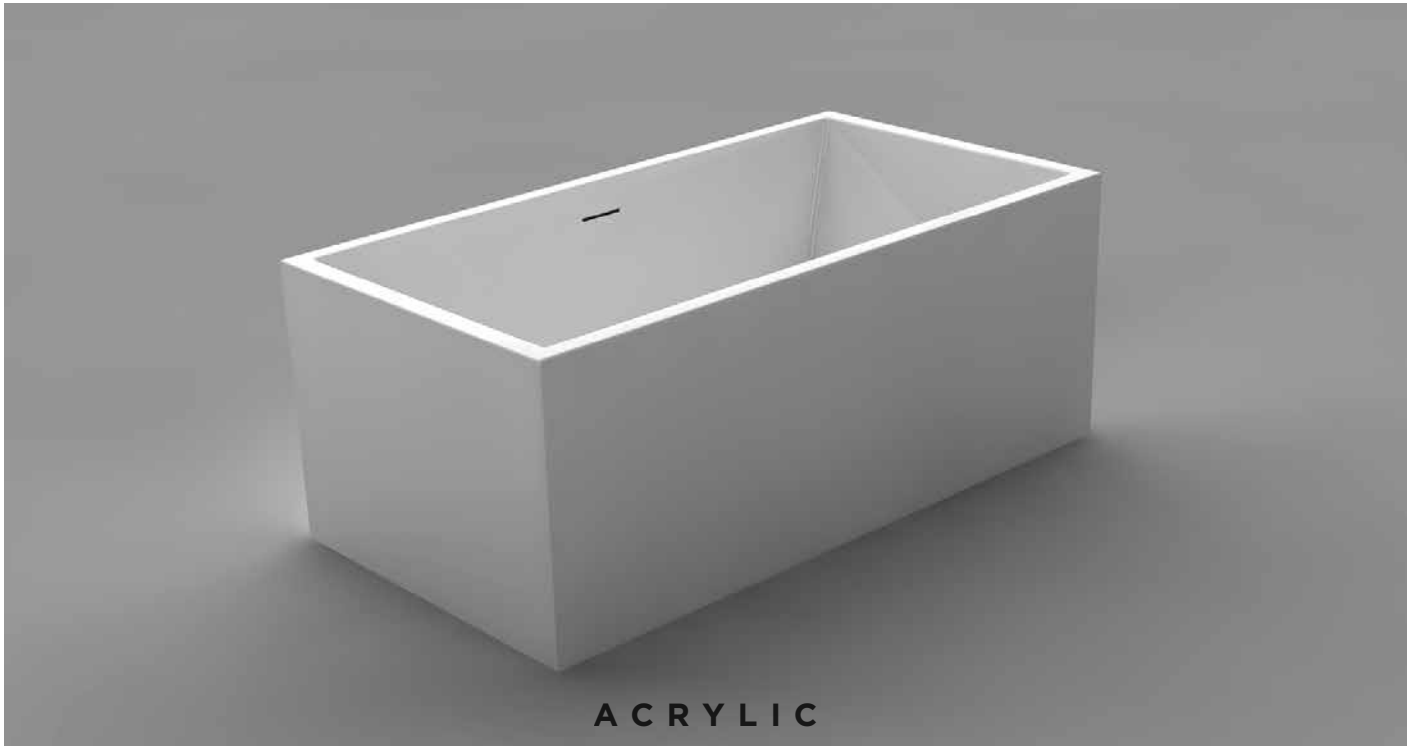
### Upgrades (See pg. 3-12 for details)

- Roughin EZ Drain
- VIBE Sound
- Colored drain options available  
(See pg. 8-9 in this section)



A Length	B Width	C Height	D Immersion Depth
67"	29"	33"	15"

**4 | Freestanding Baths**  
**Acrylic**



<b>A</b> Length	<b>B</b> Width	<b>C</b> Height	<b>D</b> Immersion Depth
59"	31 1/2"	23 5/8"	15 1/4"

**Cadence**

**Part #** 44403

**Features**

- Seamless one-piece design
- Slotted overflow
- Clicker style pop-up drain
- Flow through style drain
- Internal steel frame
- Adjustable legs

**Upgrades** (See pg. 3-12 for details)

- Roughin EZ Drain
- 2 x ComfortWarm™
- VIBE Sound
- Colored drain options available (See pg. 8-9 in this section)



## Catalina

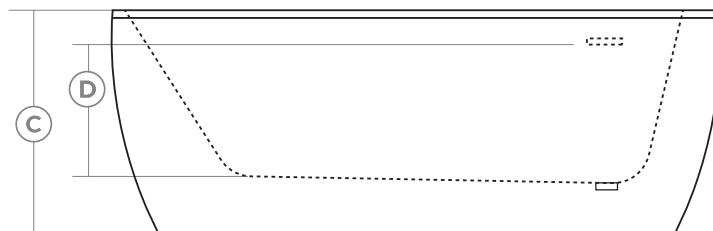
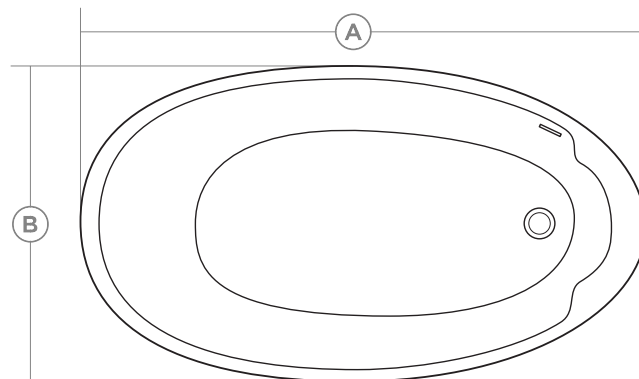
**Part #** 44425

### Features

- Seamless one-piece design
- Slotted overflow
- Clicker style pop-up drain
- Deck mount faucet compatible
- Flow through style drain
- Internal steel frame
- Adjustable legs

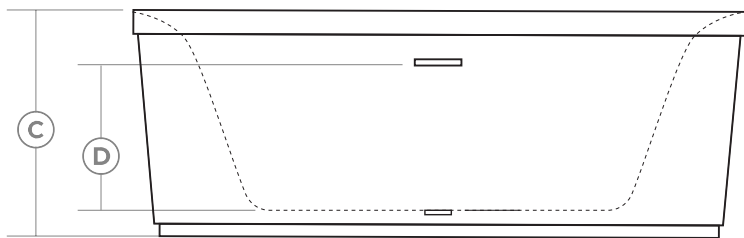
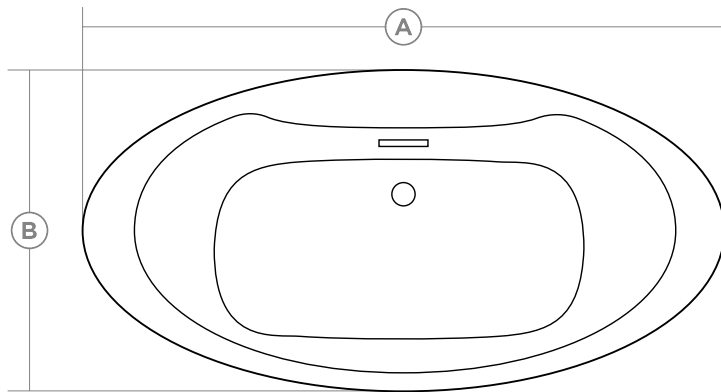
**Upgrades** (See pg. 3-12 for details)

- Chromatherapy
  - Lateral Air
  - Roughin EZ Drain
  - ComfortWarm™
  - VIBE Sound
  - Aromatherapy
  - Colored drain options available
- (See pg. 8-9 in this section)



A Length	B Width	C Height	D Immersion Depth
63"	35 1/2"	22 7/8"	14 3/4"

**4 | Freestanding Baths**  
**Acrylic**



A Length	B Width	C Height	D Immersion Depth
67"	33 1/2"	23 1/4"	14 1/2"

**Clarice**

**Part #** 44407

**Features**

- Two-piece design
- Slotted overflow
- Clicker style pop-up drain
- Deck mount faucet compatible
- Flow through style drain
- Internal steel frame
- Adjustable legs

**Upgrades** (See pg. 3-12 for details)

- Chromatherapy
- Lateral Air
- Roughin EZ Drain
- 2 x ComfortWarm™
- VIBE Sound
- Aromatherapy
- Colored drain options available  
 (See pg. 8-9 in this section)



## Claude

### Part #

54" - 44330

59" - 44331

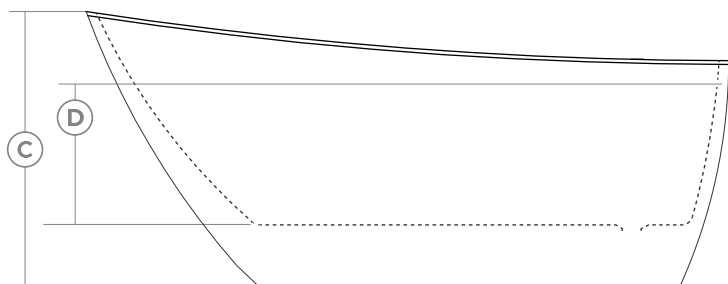
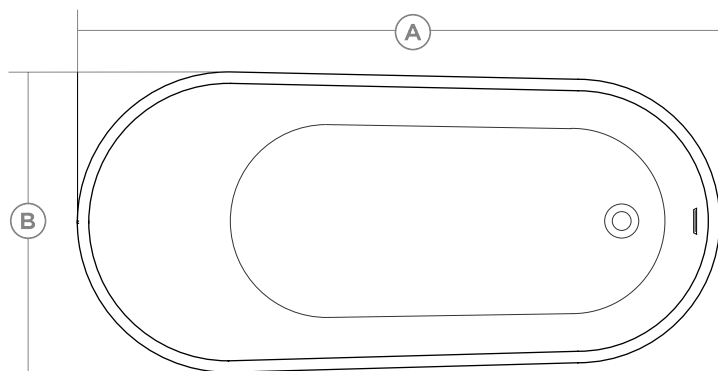
44331-BLK

### Features

- Seamless one-piece design
- Slotted overflow
- Clicker style pop-up drain
- Flow through style drain
- Internal steel frame
- Adjustable legs

### Upgrades (See pg. 3-12 for details)

- Roughin EZ Drain
- 1 x ComfortWarm™
- VIBE Sound
- Colored drain options available  
(See pg. 8-9 in this section)



A Length	B Width	C Height	D Immersion Depth
54"	31 1/8"	28 3/8"	14 1/2"
59"	28"	27 3/4"	15 1/4"

**4 | Freestanding Baths**  
**Acrylic**



**Daphne**

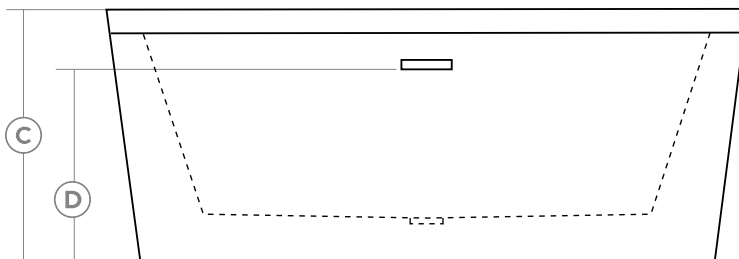
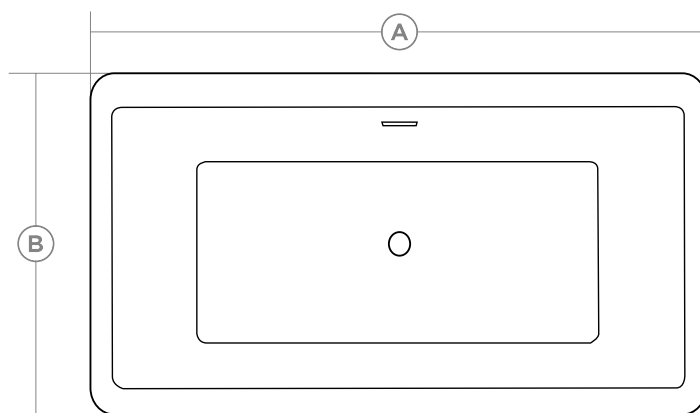
**Part #** 44408

**Features**

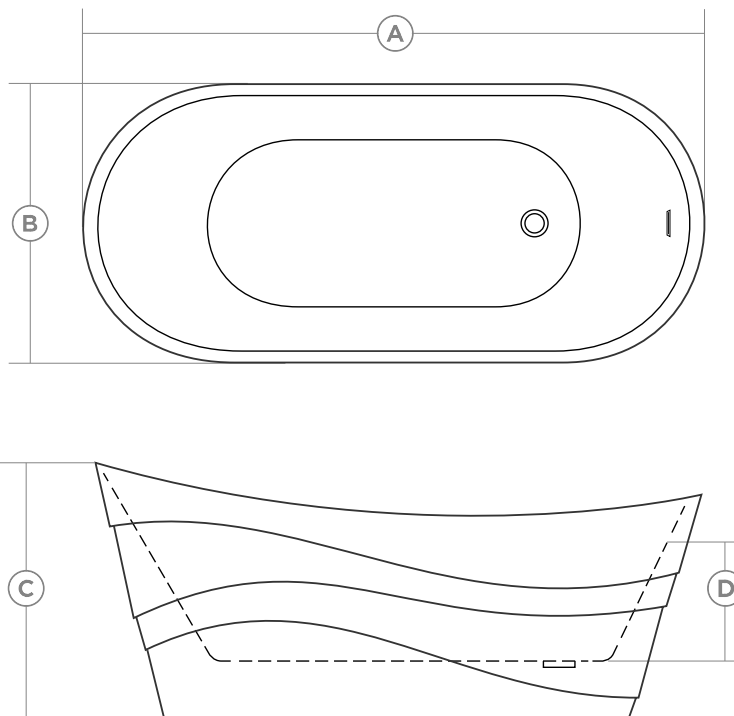
- Two-piece design
- Slotted overflow
- Clicker style pop-up drain
- Deck mount faucet compatible
- Flow through style drain
- Internal steel frame
- Adjustable legs

**Upgrades** (See pg. 3-12 for details)

- Chromatherapy
- Lateral Air
- Roughin EZ Drain
- 2 x ComfortWarm™
- VIBE Sound
- Aromatherapy
- Colored drain options available  
 (See pg. 8-9 in this section)



<b>A</b> Length	<b>B</b> Width	<b>C</b> Height	<b>D</b> Immersion Depth
67"	33 1/2"	22 7/8"	14 1/2"



A Length	B Width	C Height	D Immersion Depth
67"	29 1/2"	28 3/8"	15"

## Degas

Part # 46055

### Features

- Seamless one-piece design
- Slotted overflow
- Clicker style pop-up drain
- Flow through style drain
- Internal steel frame
- Adjustable legs

### Upgrades (See pg. 3-12 for details)

- Roughin EZ Drain
- VIBE Sound
- Colored drain options available  
(See pg. 8-9 in this section)

**4 | Freestanding Baths**  
**Acrylic**



**Elsie**

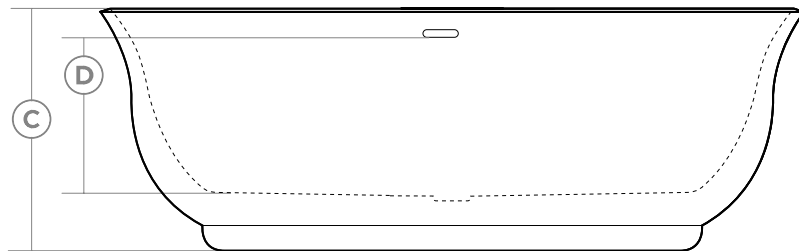
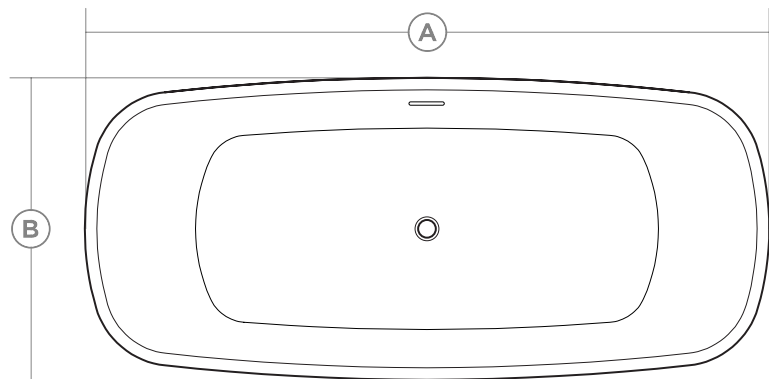
**Part #** 44352

**Features**

- Seamless one-piece design
- Slotted overflow
- Clicker style pop-up drain
- Flow through style drain
- Internal steel frame
- Adjustable legs

**Upgrades** (See pg. 3-12 for details)

- Roughin EZ Drain
- 2 x ComfortWarm™
- VIBE Sound
- Colored drain options available  
 (See pg. 8-9 in this section)



<b>A</b> Length	<b>B</b> Width	<b>C</b> Height	<b>D</b> Immersion Depth
66 7/8"	29 1/2"	22 7/8"	14 1/4"





## Florence

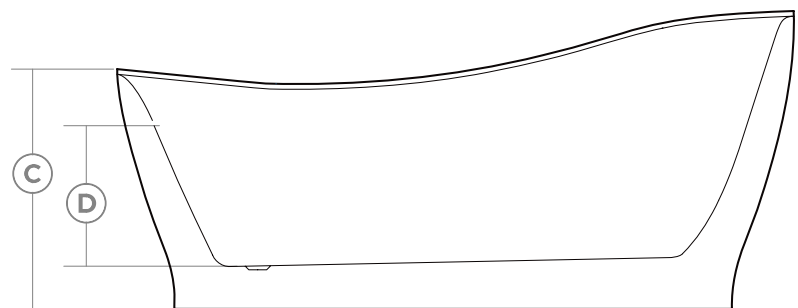
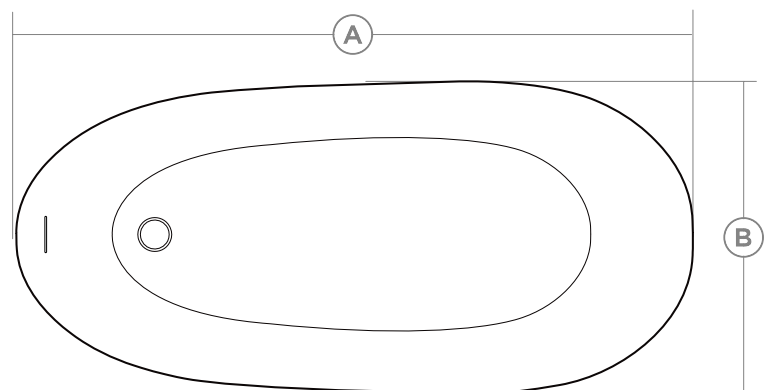
Part # 44480

### Features

- Seamless one-piece design
- Slotted overflow
- Clicker style pop-up drain
- Flow through style drain
- Internal steel frame
- Adjustable legs

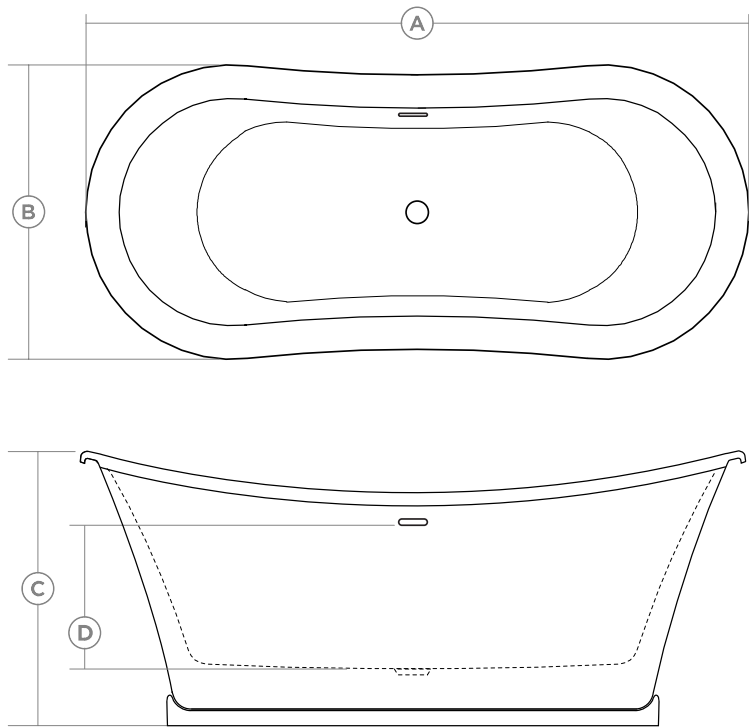
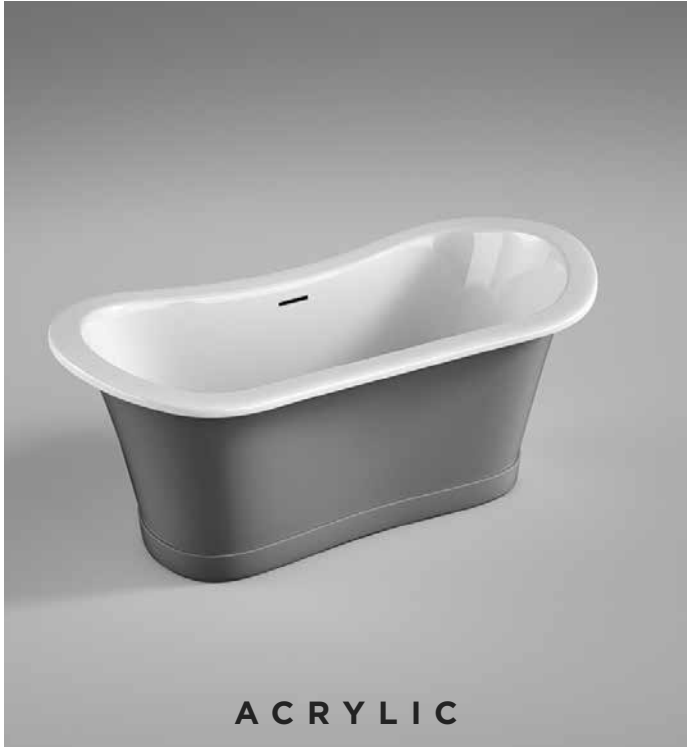
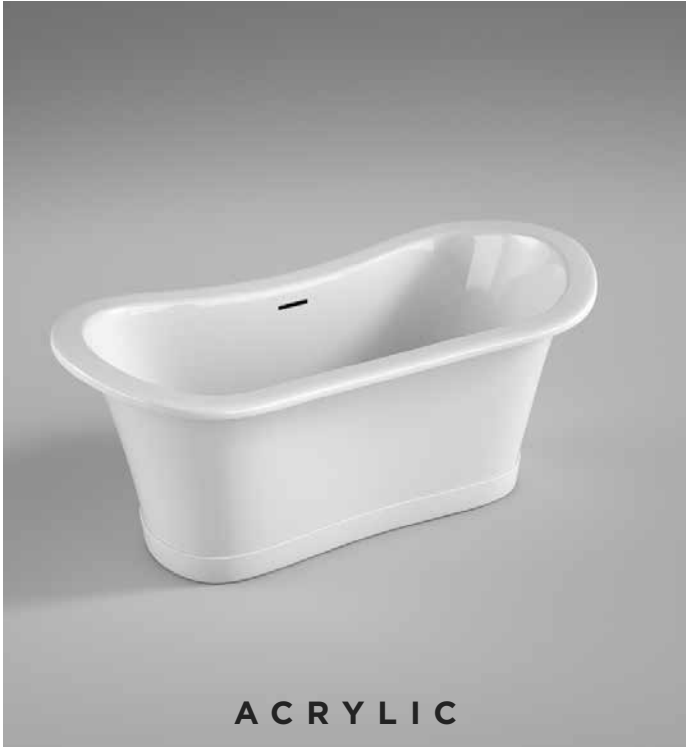
### Upgrades (See pg. 3-12 for details)

- Chromotherapy
- Roughin EZ Drain
- ComfortWarm™
- VIBE Sound
- Colored drain options available  
(See pg. 8-9 in this section)



A Length	B Width	C Height	D Immersion Depth
70 7/8"	31 1/2"	31 1/2"	15 1/2"

**4 | Freestanding Baths**  
**Acrylic**



**Hawthorne**

**Part #**

**White** - 44361

**Grey** - 44362

**Features**

- Seamless one-piece design
- White or Grey finish
- Slotted overflow
- Clicker style pop-up drain
- Flow through style drain
- Internal steel frame
- Adjustable legs

**Upgrades** (See pg. 3-12 for details)

- Roughin EZ Drain
- VIBE Sound
- Colored drain options available  
 (See pg. 8-9 in this section)

<b>A</b> Length	<b>B</b> Width	<b>C</b> Height	<b>D</b> Immersion Depth
67"	29 ½"	27"	14"



## Hayden

### Part #

White - 44347

Gold - 44347-06

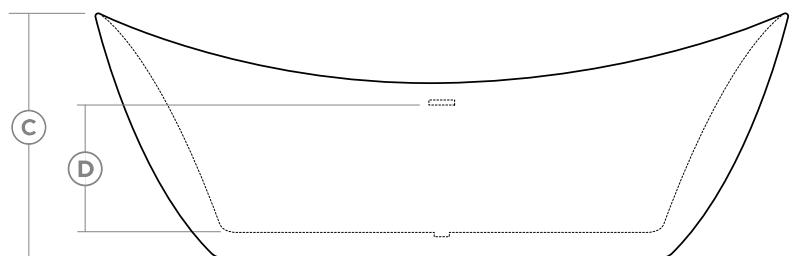
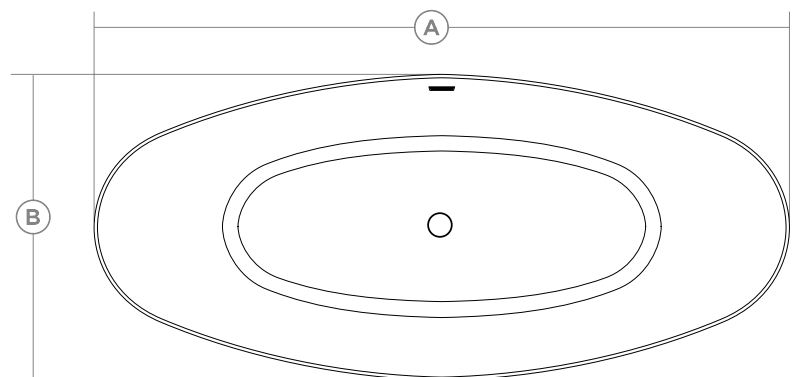
Silver - 44347-05

### Features

- Seamless one-piece design
- Slotted overflow
- Clicker style pop-up drain
- Flow through style drain
- Internal steel frame
- Adjustable legs

### Upgrades (See pg. 3-12 for details)

- Roughin EZ Drain
  - 2 x ComfortWarm™
  - VIBE Sound
  - Colored drain options available
- (See pg. 8-9 in this section)



A Length	B Width	C Height	D Immersion Depth
68 ¼"	28 ½"	29 ¾"	14"

4 | Freestanding Baths  
Acrylic





ACRYLIC

Lyon  
White Finish  
44271

**4 | Freestanding Baths**  
**Acrylic**



**Lyon**

**Part #**

44271

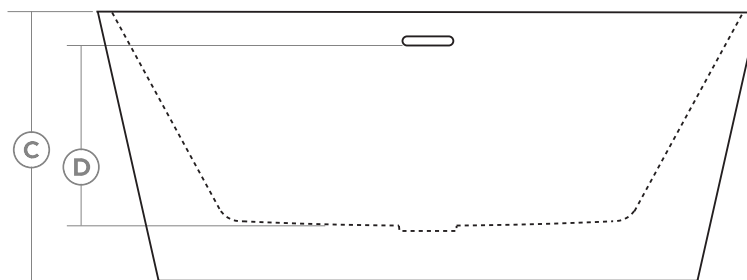
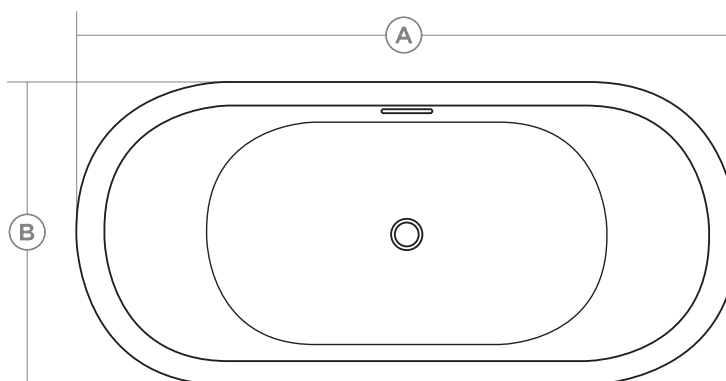
44271\_Black

**Features**

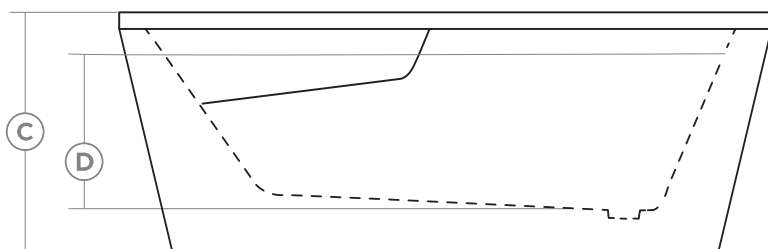
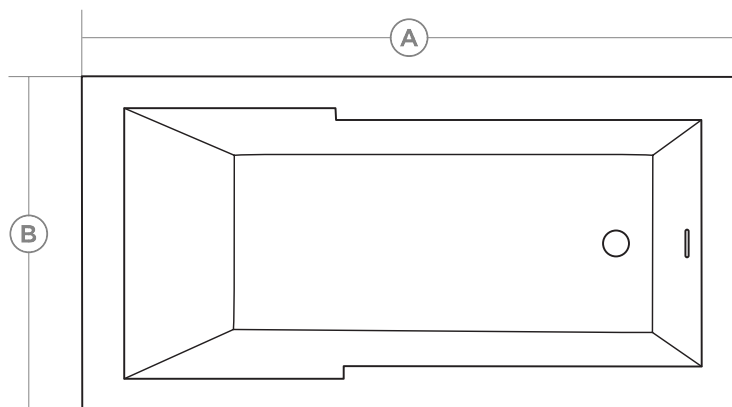
- Seamless one-piece design
- White or White with Black Skirt
- Gloss finish
- Slotted overflow
- Clicker style pop-up drain
- Flow through style drain
- Internal steel frame
- Adjustable legs

**Upgrades** (See pg. 3-12 for details)

- Chromatherapy
- Lateral Air
- Roughin EZ Drain
- 2 x ComfortWarm™
- VIBE Sound
- Aromatherapy
- Colored drain options available  
 (See pg. 8-9 in this section)



<b>A</b> Length	<b>B</b> Width	<b>C</b> Height	<b>D</b> Immersion Depth
66 7/8"	31 1/4"	23 1/2"	14 7/8"



A Length	B Width	C Height	D Immersion Depth
59 7/8"	31 7/8"	23 5/8"	15 3/4"

## Marlo

Part # 44343

### Features

- Two-piece design
- Slotted overflow
- Clicker style pop-up drain
- Deck mount faucet compatible
- Flow through style drain
- Internal steel frame
- Adjustable legs

### Upgrades (See pg. 3-12 for details)

- Chromatherapy
- Lateral Air
- Roughin EZ Drain
- ComfortWarm™
- VIBE Sound
- Aromatherapy
- Colored drain options available  
(See pg. 8-9 in this section)

**4 | Freestanding Baths**  
**Acrylic**



**Marseille**

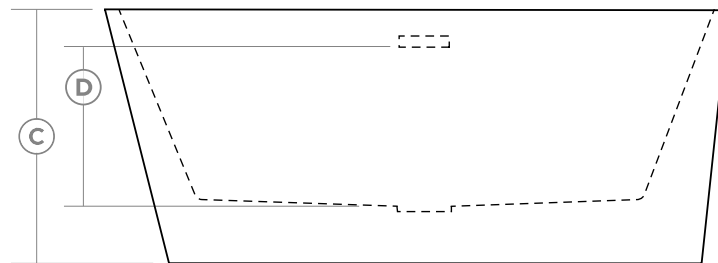
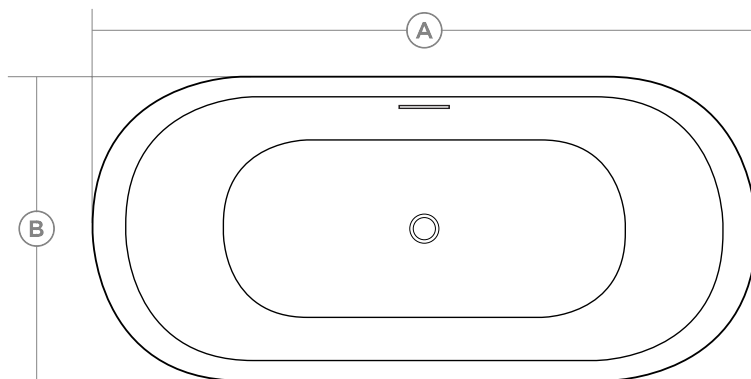
**Part #** 44351

**Features**

- Seamless one-piece design
- Slotted overflow
- Clicker style pop-up drain
- Flow through style drain
- Internal steel frame
- Adjustable legs

**Upgrades** (See pg. 3-12 for details)

- Chromatherapy
- Lateral Air
- Roughin EZ Drain
- 2 x ComfortWarm™
- VIBE Sound
- Aromatherapy
- Colored drain options available  
 (See pg. 8-9 in this section)



<b>A</b> Length	<b>B</b> Width	<b>C</b> Height	<b>D</b> Immersion Depth
62 5/8"	29 5/8"	22 1/2"	14 1/4"





## Monaco

### Part #

54" - 44457

59" - 44459

44459-BLK

63" - 44460

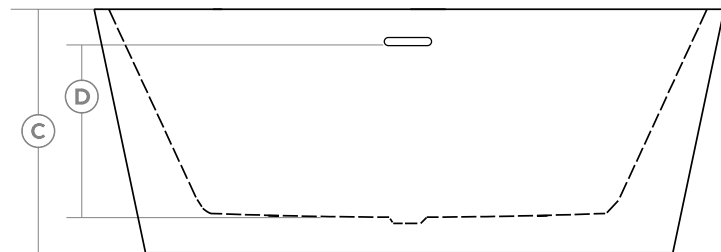
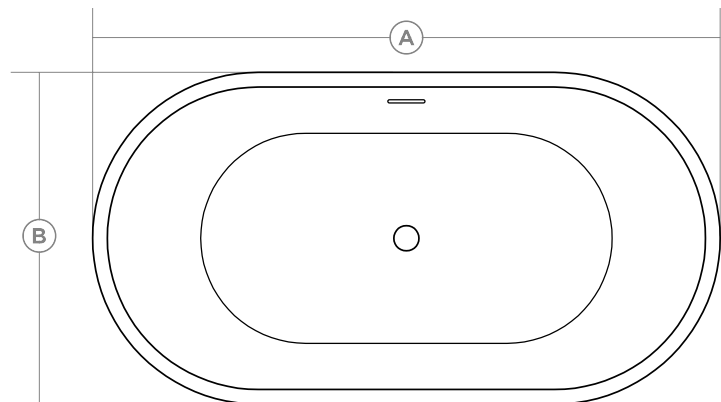
67" - 44462

### Features

- Seamless one-piece design
- Slotted overflow
- Clicker style pop-up drain
- Flow through style drain
- Internal steel frame
- Adjustable legs

### Upgrades (See pg. 3-12 for details)

- Roughin EZ Drain
- VIBE Sound
- Colored drain options available  
(See pg. 8-9 in this section)



A Length	B Width	C Height	D Immersion Depth
53 ¾"	31 ½"	23 ⅝"	15 ½"
59"	31 ½"	23 ⅝"	15 ¼"
63"	31 ⅜"	23 ⅝"	15 ⅞"
66 ⅞"	31 ½"	23 ⅝"	15 ½"

**4 | Freestanding Baths  
Acrylic**



**Olivia**

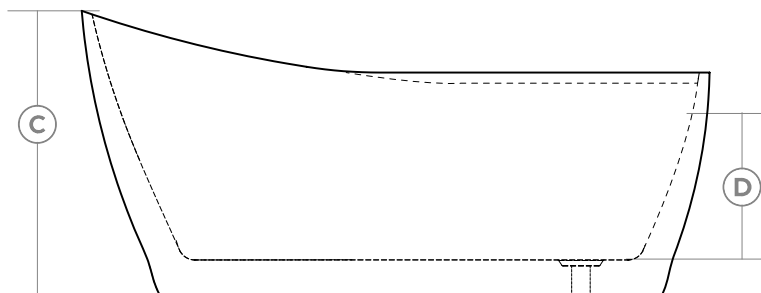
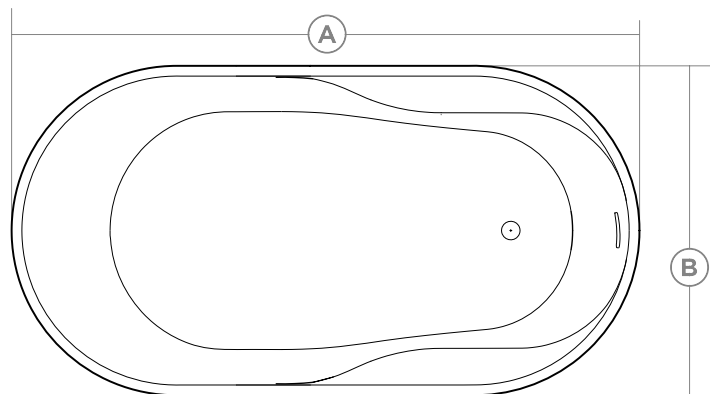
**Part #** 44329

**Features**

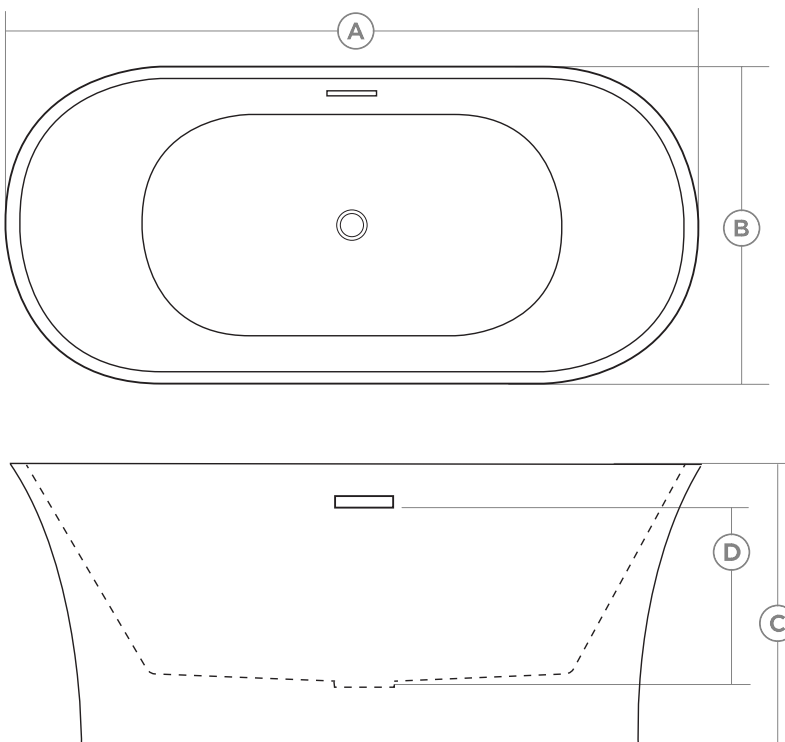
- Seamless one-piece design
- Slotted overflow
- Clicker style pop-up drain
- Deckmount faucet compatible
- Flow through style drain
- Internal steel frame
- Adjustable legs

**Upgrades** (See pg. 3-12 for details)

- Chromatherapy
- Lateral Air
- Roughin EZ Drain
- ComfortWarm™
- VIBE Sound
- Aromatherapy
- Colored drain options available  
(See pg. 8-9 in this section)



<b>A</b> Length	<b>B</b> Width	<b>C</b> Height	<b>D</b> Immersion Depth
60"	31 ½"	30"	15 ¾"



A Length	B Width	C Height	D Immersion Depth
66 1/4"	31 1/2"	23 5/8"	15"

## Penelope

Part # 44471

44471BLK

### Features

- Seamless one-piece design
- Slotted overflow
- Clicker style pop-up drain
- Flow through style drain
- Internal steel frame
- Adjustable legs

### Upgrades (See pg. 3-12 for details)

- Roughin EZ Drain
- 2 x ComfortWarm™
- VIBE Sound
- Colored drain options available  
(See pg. 8-9 in this section)

**4 | Freestanding Baths**  
**Acrylic**



**Renoir**

**Part #**

**59"** - 44313

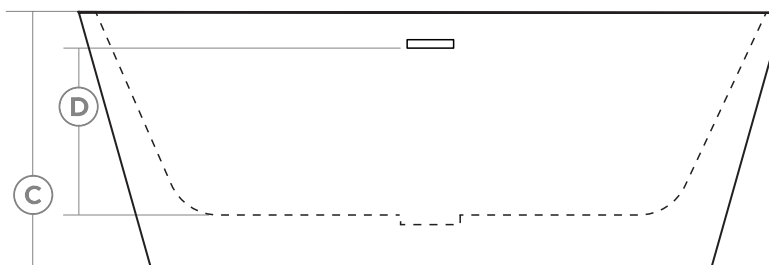
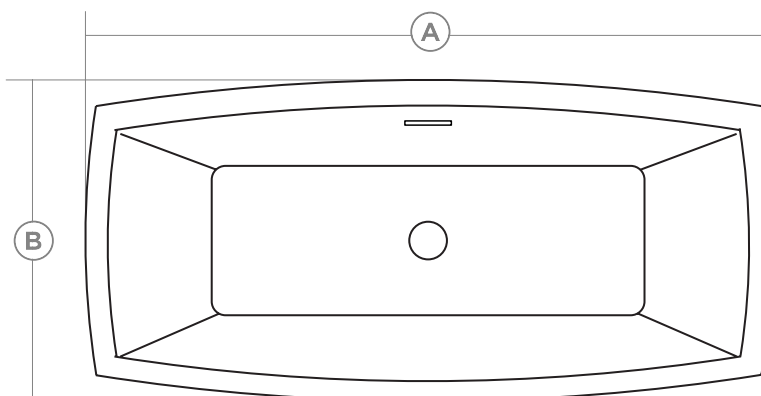
**67"** - 44315

**Features**

- Seamless one-piece design
- Slotted overflow
- Clicker style pop-up drain
- Flow through style drain
- Internal steel frame
- Adjustable legs

**Upgrades** (See pg. 3-12 for details)

- Chromatherapy
- Lateral Air
- Roughin EZ Drain
- 2 x ComfortWarm™
- VIBE Sound
- Aromatherapy
- Colored drain options available  
 (See pg. 8-9 in this section)



<b>A</b> Length	<b>B</b> Width	<b>C</b> Height	<b>D</b> Immersion Depth
59"	29 ½"	23 ½"	15 ⅝"
67"	31 ⅞"	23 ½"	15 ⅝"



## Sandor

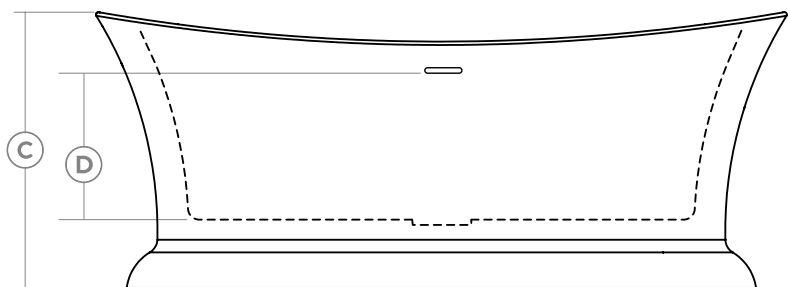
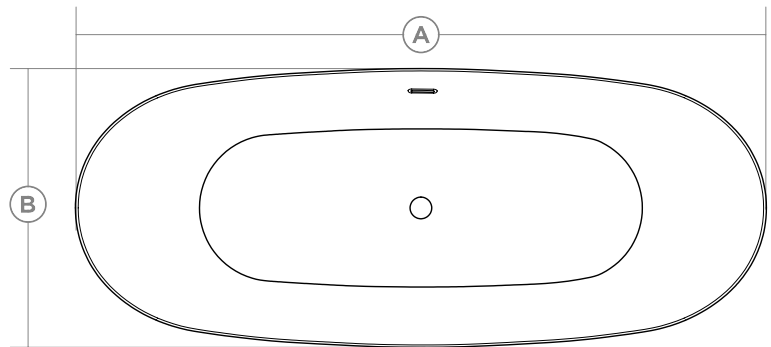
Part # 44337

### Features

- Seamless one-piece design
- Slotted overflow
- Clicker style pop-up drain
- Flow through style drain
- Internal steel frame
- Adjustable legs

### Upgrades (See pg. 3-12 for details)

- Roughin EZ Drain
- VIBE Sound
- Colored drain options available  
(See pg. 8-9 in this section)

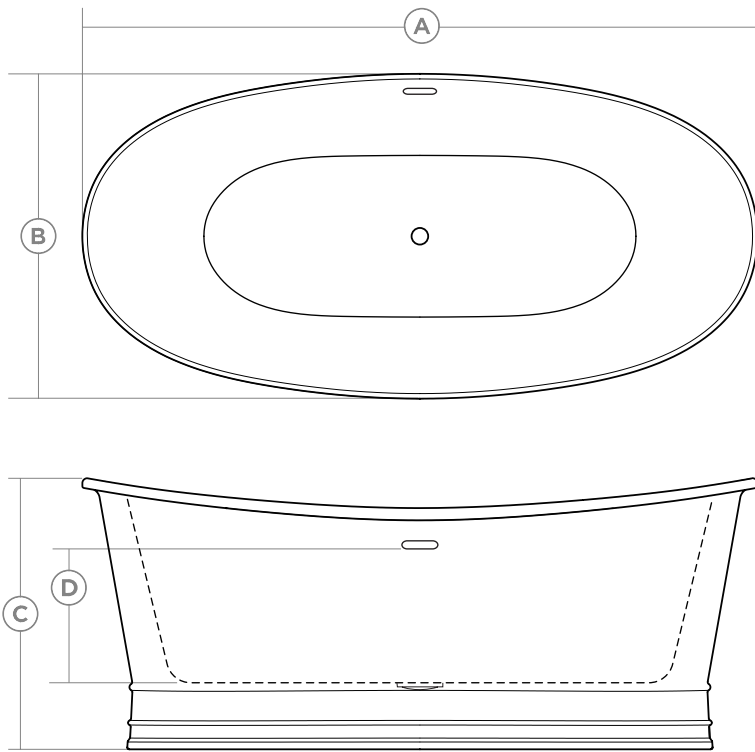


A Length	B Width	C Height	D Immersion Depth
68 ¾"	31"	27 ⅜"	14"

**4 | Freestanding Baths**  
**Acrylic**



**ACRYLIC**



**Sansa**

**Part # 44327**

**Features**

- Seamless one-piece design
- Slotted overflow
- Clicker style pop-up drain
- Flow through style drain
- Internal steel frame
- Adjustable legs

**Upgrades** (See pg. 3-12 for details)

- Roughin EZ Drain
  - VIBE Sound
  - Colored drain options available
- (See pg. 8-9 in this section)

<b>A</b> Length	<b>B</b> Width	<b>C</b> Height	<b>D</b> Immersion Depth
69"	31 1/8"	27"	14"



## Sherin

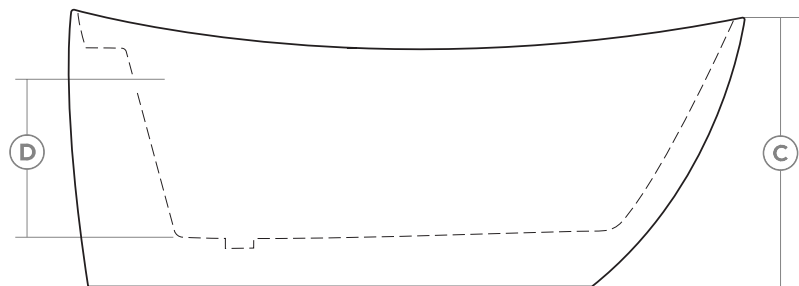
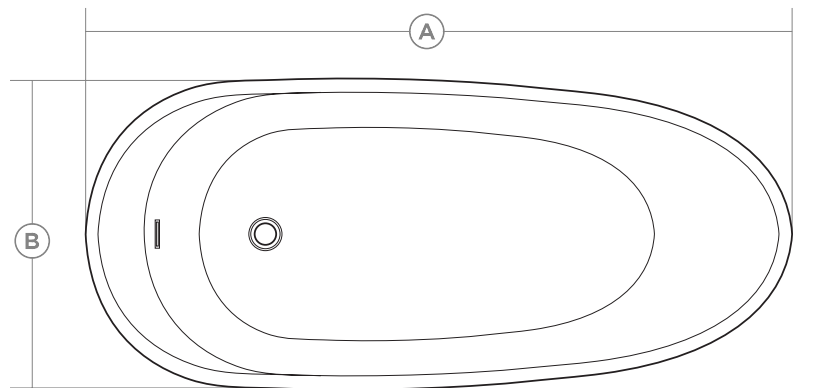
Part # 44333

### Features

- Seamless one-piece design
- Slotted overflow
- Deck mount faucet compatible
- Clicker style pop-up drain
- Flow through style drain
- Internal steel frame
- Adjustable legs

### Upgrades (See pg. 3-12 for details)

- Roughin EZ Drain
- ComfortWarm™
- VIBE Sound
- Colored drain options available  
(See pg. 8-9 in this section)



A Length	B Width	C Height	D Immersion Depth
67"	29 ½"	27 ½"	16"

**4 | Freestanding Baths**  
**Acrylic**



**Theo**

**Part #**

**White Skirt - 44377**

**Gold Skirt - 44377-06**

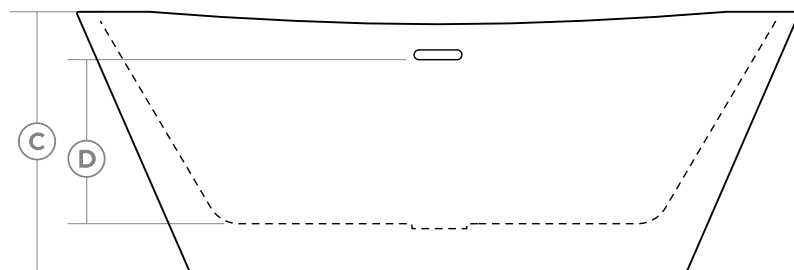
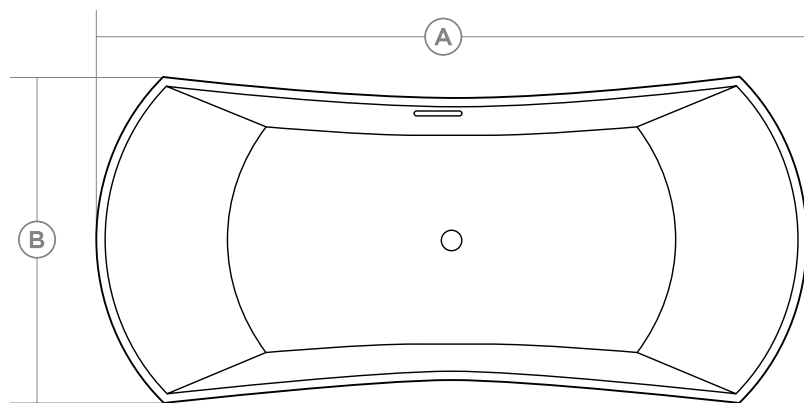
**Silver Skirt - 44377-05**

**Features**

- Seamless one-piece design
- White / Gold / Silver finish
- Slotted overflow
- Clicker style pop-up drain
- Flow through style drain
- Internal steel frame
- Adjustable legs

**Upgrades** (See pg. 3-12 for details)

- Roughin EZ Drain
- 2 x ComfortWarm™
- VIBE Sound
- Colored drain options available  
 (See pg. 8-9 in this section)



<b>A</b> Length	<b>B</b> Width	<b>C</b> Height	<b>D</b> Immersion Depth
68 ½"	31 ½"	26 ¾"	15 ¾"





**4 | Freestanding Baths  
Acrylic**



**Toulon**

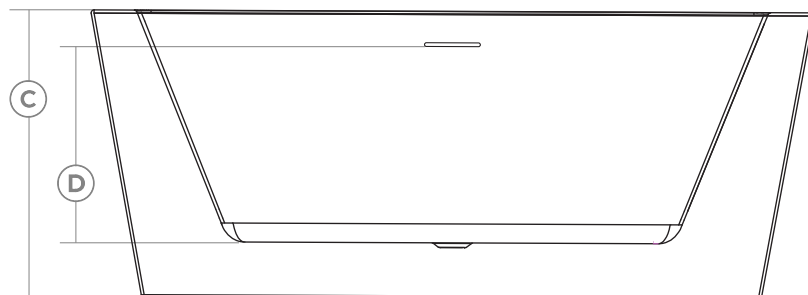
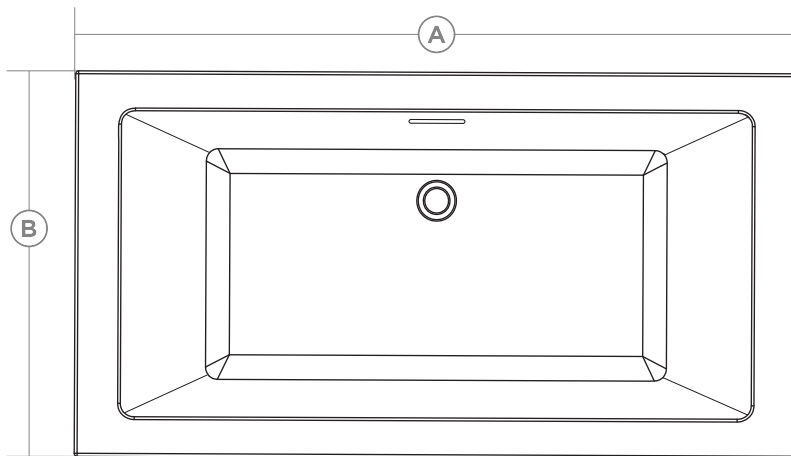
**Part #** 44466

**Features**

- Seamless one-piece design
- Slotted overflow
- Clicker style pop-up drain
- Deck mount faucet compatible
- Flow through style drain
- Internal steel frame
- Adjustable legs

**Upgrades** (See pg. 3-12 for details)

- Roughin EZ Drain
- 2 x ComfortWarm™
- VIBE Sound
- Colored drain options available  
(See pg. 8-9 in this section)



<b>A</b> Length	<b>B</b> Width	<b>C</b> Height	<b>D</b> Immersion Depth
59"	31 1/2"	23 5/8"	16"



## Tours

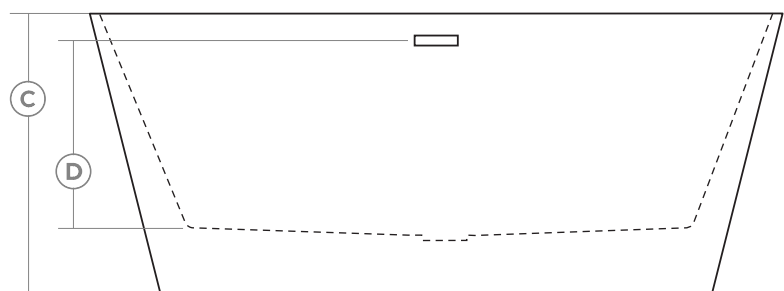
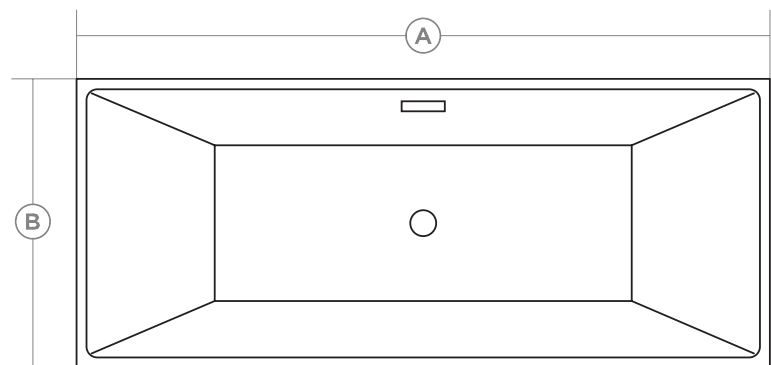
Part # 44322

### Features

- Seamless one-piece design
- Slotted overflow
- Clicker style pop-up drain
- Flow through style drain
- Internal steel frame
- Adjustable legs

### Upgrades (See pg. 3-12 for details)

- Roughin EZ Drain
- 2 x ComfortWarm™
- VIBE Sound
- Colored drain options available  
(See pg. 8-9 in this section)



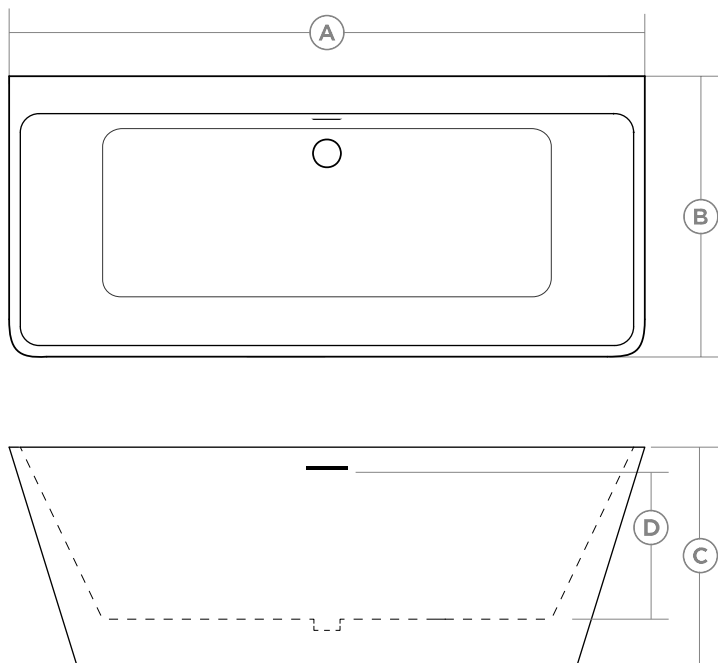
A Length	B Width	C Height	D Immersion Depth
66 ¾"	31 ½"	23 ¼"	16"

**4 | Freestanding Baths**  
**Acrylic**



**Vanessa**

**Part #** 44335.1



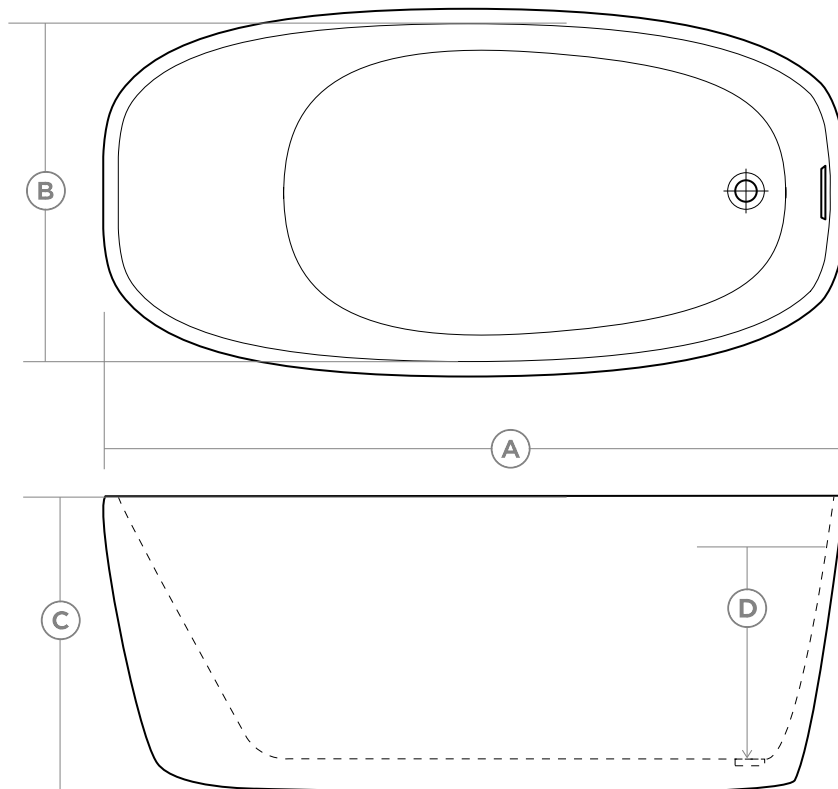
**Features**

- Seamless one-piece design
- Slotted overflow
- Clicker style pop-up drain
- Flow through style drain
- Internal steel frame
- Adjustable legs
- Deckmount faucet compatible
- Tiling flange included

**Upgrades** (See pg. 2-9 for details)

- Chromatherapy
- Roughin EZ Drain
- 2 x ComfortWarm™
- VIBE Sound
- Aromatherapy
- Colored drain options available  
 (See pg. 8-9 in this section)

<b>A</b> Length	<b>B</b> Width	<b>C</b> Height	<b>D</b> Immersion Depth
59"	29 5/8"	22 7/8"	15 1/4"



A Length	B Width	C Height	D Immersion Depth
59 1/4"	29 5/8"	23 5/8"	16 1/2"

## Zaria

Part #44380

### Features

- Seamless one-piece design
- Slotted overflow
- Clicker style pop-up drain
- Flow through style drain
- Internal steel frame
- Adjustable legs

### Upgrades (See pg. 3-12 for details)

- Roughin EZ Drain
- VIBE Sound
- Colored drain options available  
(See pg. 8-9 in this section)

**4 | Freestanding Baths**  
**Cast Iron**



**Kraken**

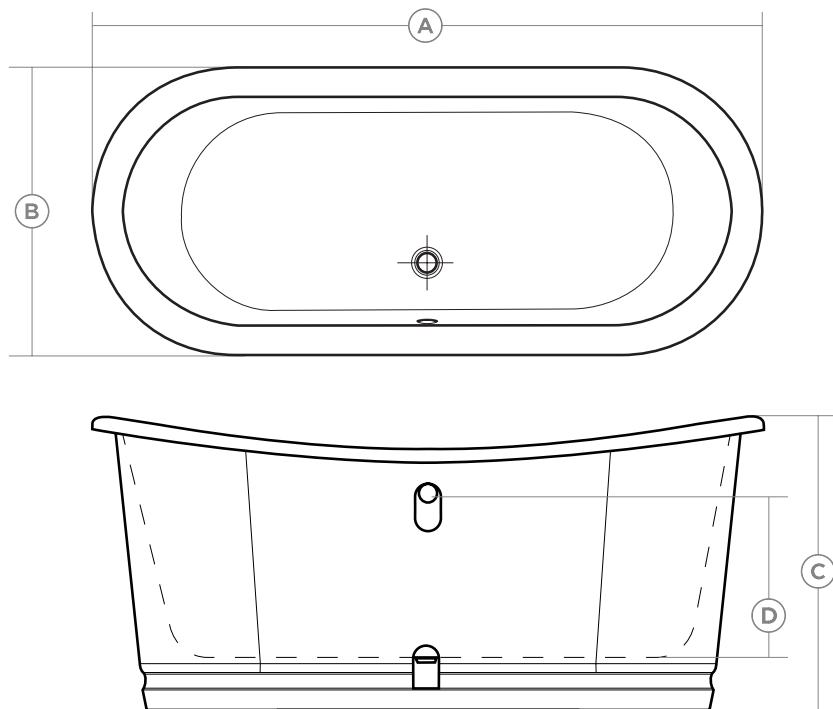
**Part #48042**

**Features**

- Double ended bathing well
- White finish
- Cast Iron interior
- Centre drain
- Hand rolled skirt accent

**Upgrades**

- Roughin EZ Drain  
(See page 7 in this section)
- W&O sold separately  
(See page 10 in this section)



<b>A</b> Length	<b>B</b> Width	<b>C</b> Height	<b>D</b> Immersion Depth
66"	28"	29"	14"



## Lusca

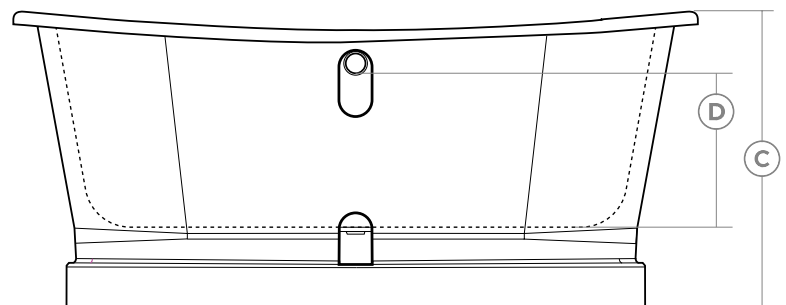
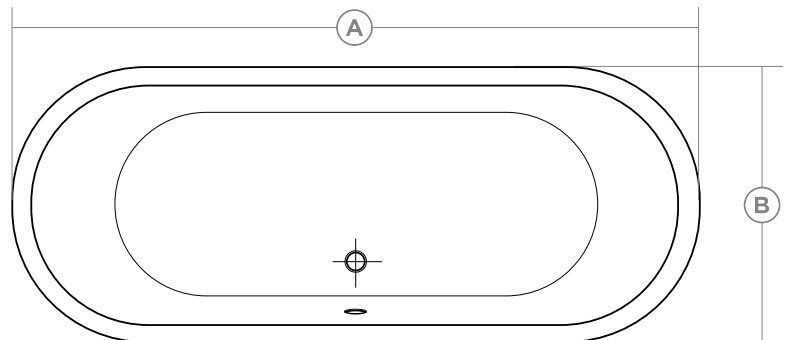
Part # 48040

### Features

- Double ended bathing well
- Cast Iron interior
- Bateau style skirt detail
- Multiple skirt choices available

### Upgrades

- Roughin EZ Drain  
(See page 7 in this section)
- W&O sold separately  
(See page 10 in this section)



A Length	B Width	C Height	D Immersion Depth
67"	26 ½"	28"	14 ¼"

## Lusca Satin

---

Part # 48040-02

---

### Upgrades

- Roughin EZ Drain  
(See page 7 in this section)
- W&O sold separately  
(See page 10 in this section)

## Lusca Black

---

Part # 48040-05

---

### Upgrades

- Roughin EZ Drain  
(See page 7 in this section)
- W&O sold separately  
(See page 10 in this section)

## Lusca Mirror

---

Part # 48040-08

---

### Upgrades

- Roughin EZ Drain  
(See page 7 in this section)
- W&O sold separately  
(See page 10 in this section)







## Makara

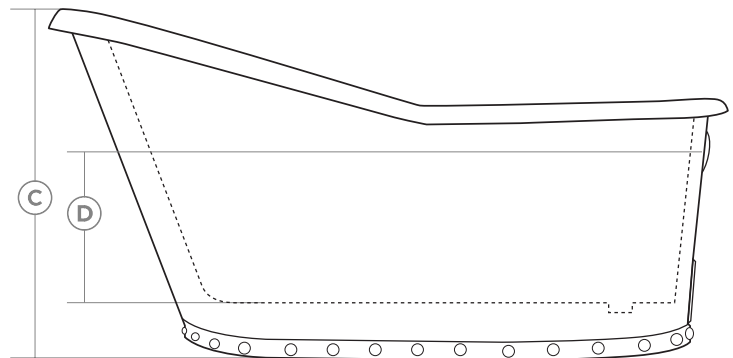
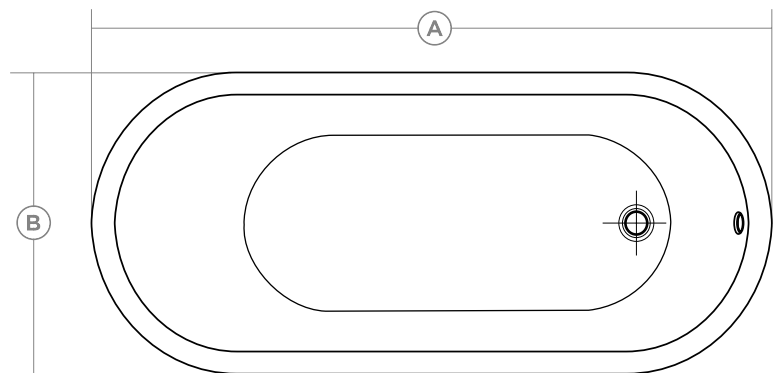
Part # 48025

### Features

- Slipper design with end drain
- Cast Iron interior
- End drain
- High-gloss painted steel skirt
- Riveted trim accent

### Upgrades

- Roughin EZ Drain  
(See page 7 in this section)
- W&O sold separately  
(See page 10 in this section)



A Length	B Width	C Height	D Immersion Depth
66 7/8"	30"	32"	15"

**4 | Freestanding Baths  
Composite**



**Aida**

**Part #**

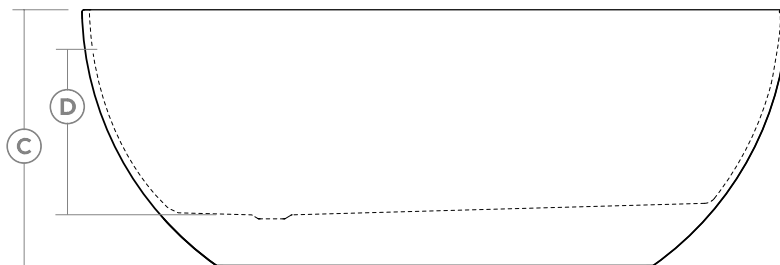
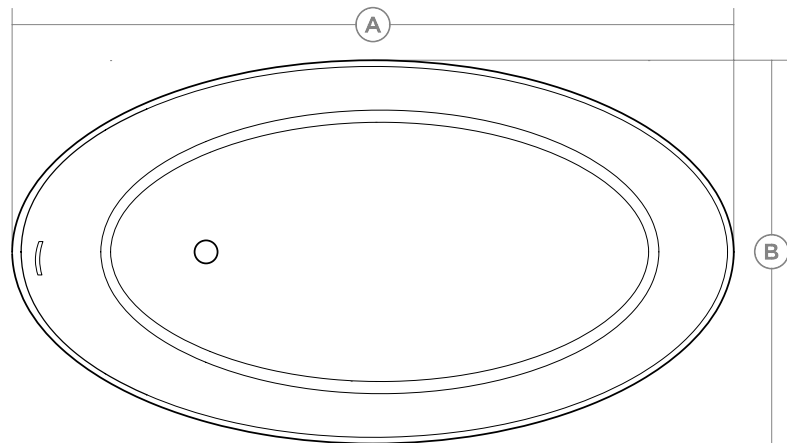
46520

**Features**

- Matte finish
- Cast composite acrylic
- End drain
- Deep bathing well
- Includes color matching clicker drain

**Upgrades** (See pg. 7 for details)

- Roughin EZ Drain



A Length	B Width	C Height	D Immersion Depth
63"	34"	22 7/8"	16"



## Delfina

**Part #**

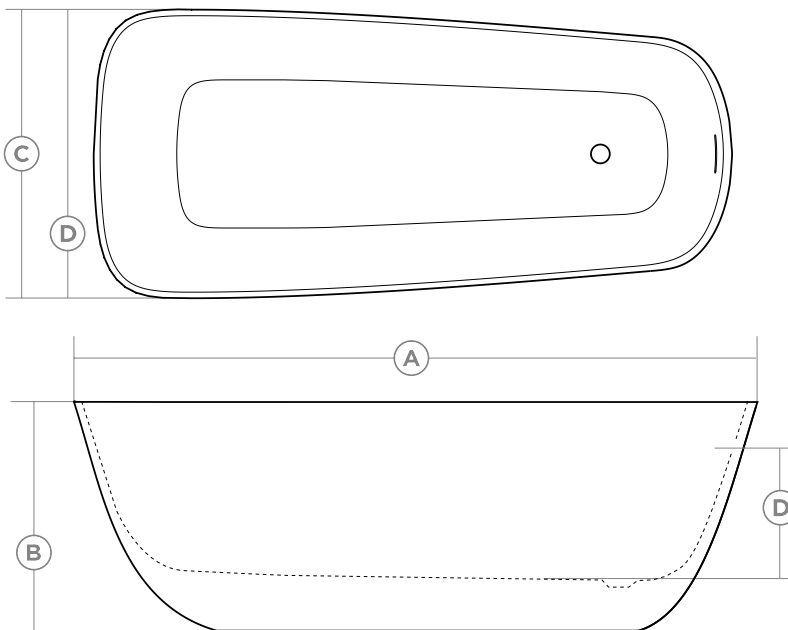
46522

**Features**

- Matte finish
- Cast composite acrylic
- End drain
- Deep bathing well
- Includes color matching clicker drain

**Upgrades** (See p. 7 for details)

- Roughin EZ Drain



A Length	B Width	C Height	D Immersion Depth
66 5/8"	30 1/4"	21"	17"

**4 | Freestanding Baths  
Composite**



**Gauguin**

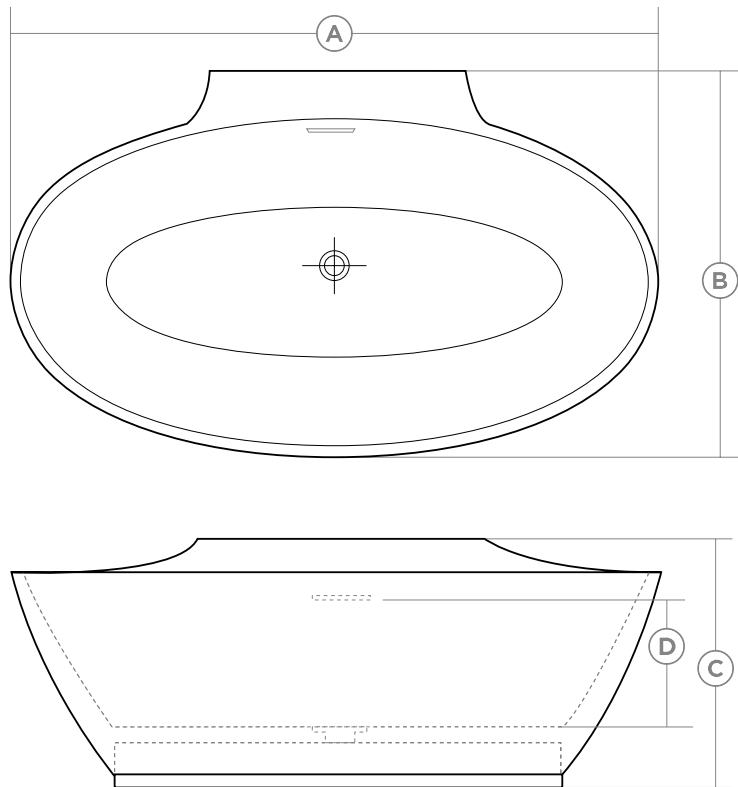
**Part #** 46512

**Features**

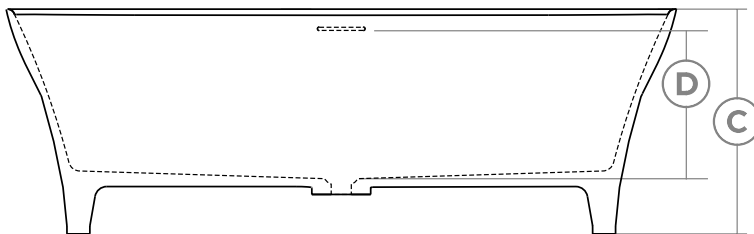
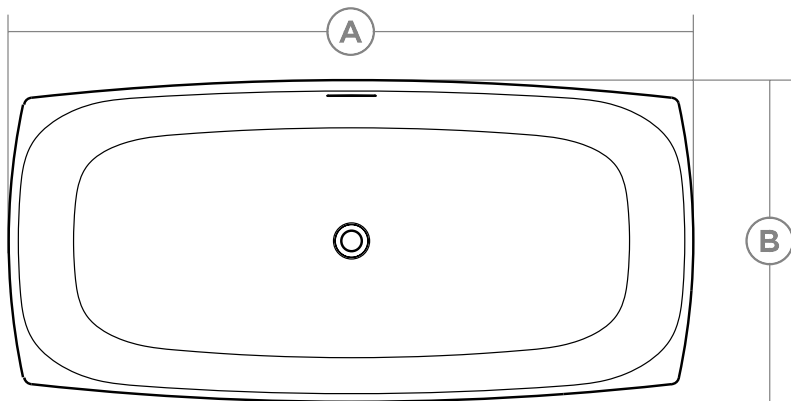
- Matte finish
- Cast composite acrylic
- End drain
- Deep bathing well
- Includes color matching clicker drain

**Upgrades** (See p. 7 for details)

- Roughin EZ Drain



<b>A</b> Length	<b>B</b> Width	<b>C</b> Height	<b>D</b> Immersion Depth
68"	40 ½"	25 ¾"	13"



## Juliet

Part # 46521

### Features

- Matte finish
- Cast composite acrylic
- Centre drain
- Deep bathing well
- Includes color matching clicker drain

### Upgrades (See p. 7 for details)

- Roughin EZ Drain

A Length	B Width	C Height	D Immersion Depth
67 ¼"	31 ¼"	22 ½"	15"

**4 | Freestanding Baths  
Composite**



**Justina**

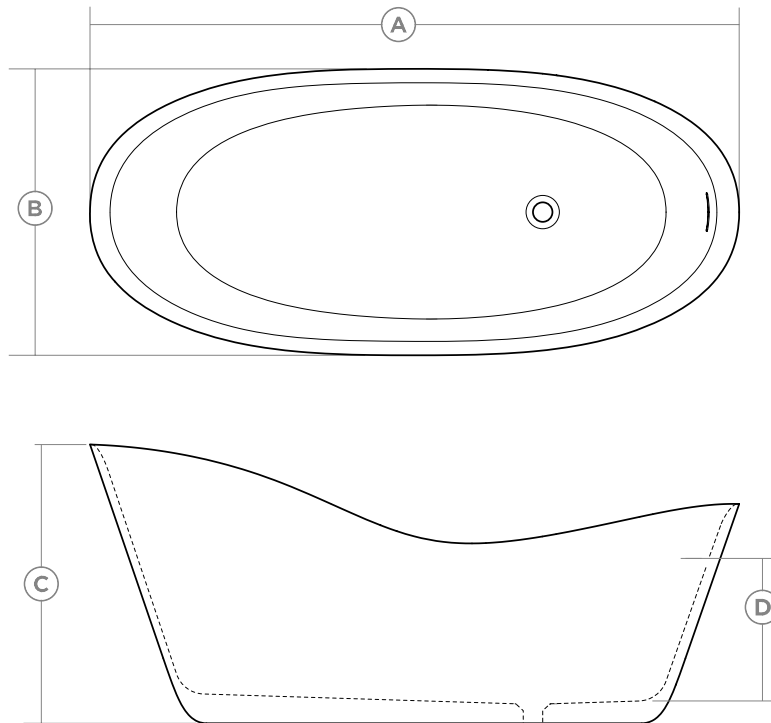
**Part #** 46524

**Features**

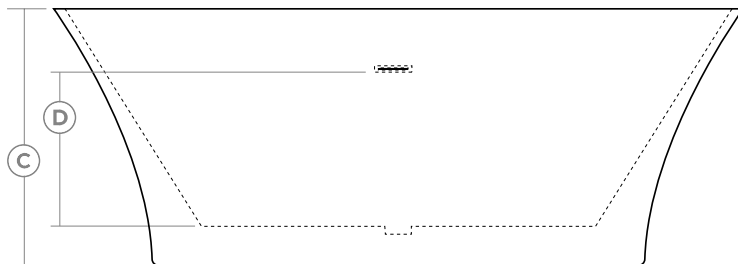
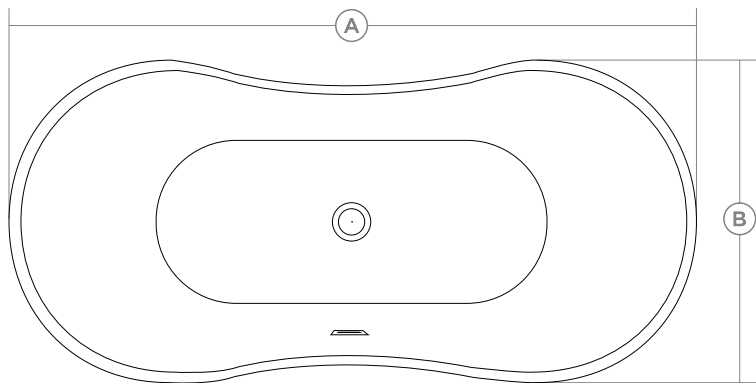
- Matte finish
- Cast composite acrylic
- End drain
- Deep bathing well
- Includes color matching clicker drain

**Upgrades** (See p. 7 for details)

- Roughin EZ Drain



<b>A</b> Length	<b>B</b> Width	<b>C</b> Height	<b>D</b> Immersion Depth
66 ½"	29 ¾"	28 ¾"	15"



## Palermo

Part # 46507

### Features

- Gloss finish
- Cast composite acrylic
- Centre drain
- Deep bathing well
- Includes color matching clicker drain

### Upgrades (See p. 7 for details)

- Roughin EZ Drain

A Length	B Width	C Height	D Immersion Depth
63 <sup>3</sup> / <sub>8</sub> "	28"	22 <sup>1</sup> / <sub>4</sub> "	15"

**4 | Freestanding Baths  
Composite**



**Poeta**

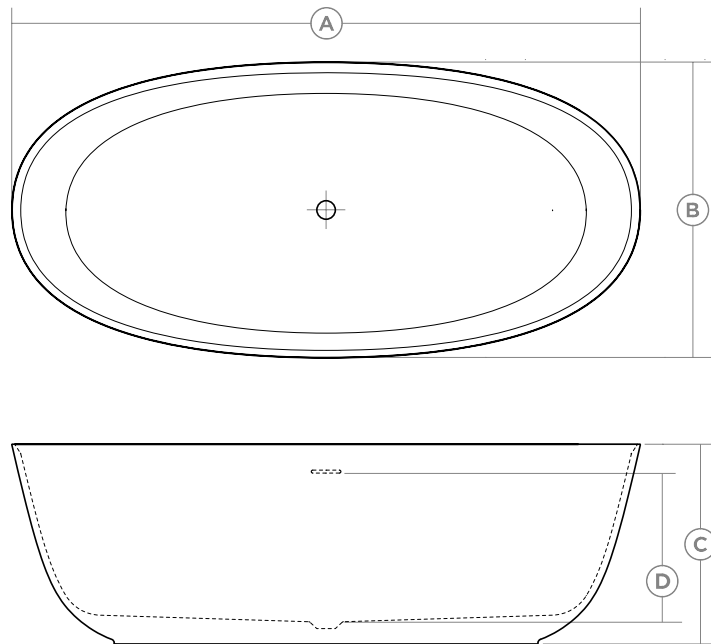
**Part #** 46523

**Features**

- Matte finish
- Cast composite acrylic
- Centre drain
- Deep bathing well
- Includes color matching clicker drain

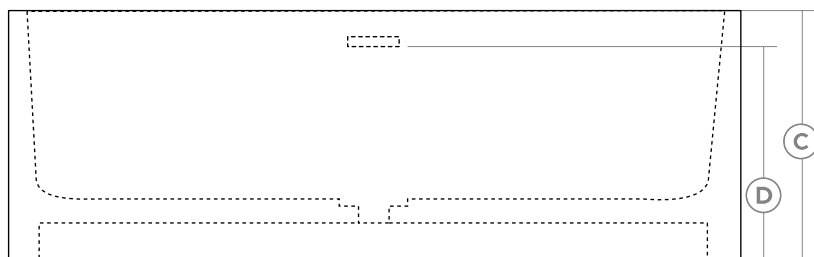
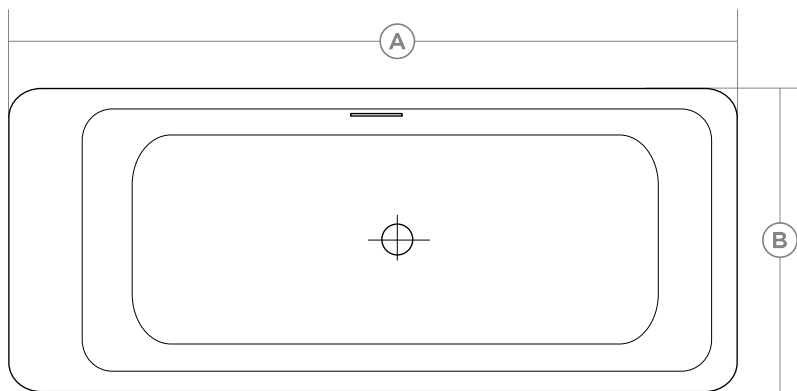
**Upgrades** (See p. 7 for details)

- Roughin EZ Drain



<b>A</b> Length	<b>B</b> Width	<b>C</b> Height	<b>D</b> Immersion Depth
67 ½"	31 ½"	21 ¼"	16 ½"





## Sicilian

Part # 46513

### Features

- Gloss finish
- Cast composite acrylic
- Centre drain
- Deep bathing well
- Includes color matching clicker drain

### Upgrades (See p. 7 for details)

- Roughin EZ Drain

A Length	B Width	C Height	D Immersion Depth
70 ¾"	31 ½"	21 ½"	14"



# Semi-Freestanding Bath Quick Reference

---

## Upgrades & Accessories

---

### Acrylic

Upgrade Compatibility .....	3	Accessories & Compatibility .....	5
Upgrade Options.....	3~4		

### Acrylic

59"	Dimensions	Part #	Page
Milla LH	59" x 30 3/4" x 23 5/8"	44605	8
Milla RH	59" x 30 3/4" x 23 5/8"	44606	8
Niche LH	59 1/4" x 32 1/4" x 23"	44601	9
Niche RH	59 1/4" x 32 1/4" x 23"	44602	9
Rochelle 59	59" x 31 1/2" x 23 1/4"	44275	10
Vanessa	59" x 29 5/8" x 22 7/8"	44335	11
66" +	Dimensions	Part #	Page
Fiona	66" x 31 1/2" x 23 5/8"	44282	7
Rochelle 67	67" x 31 1/2" x 23 1/4"	44276	10

## Semi-Freestanding Bath Upgrades

---

### Chromatherapy

Immerse yourself within a sea of light created by a dual mini-light Chromatherapy system. Bathers can choose between red, orange, yellow, green, blue, turquoise, and magenta, or cycle through a range of 9 blended colours. Combine Chromatherapy with a massage system to create a total spa experience.

---

### Lateral Air

16 jets mounted around the perimeter of the bathing well infuse the water with a soothing stream of massaging bubbles. A ceramic heating core preheats the air as a 600-Watt Panasonic™ blower delivers a steady stream of warm air bubbles to the bather. Use the variable speed control pad to vary the intensity of the massage to your mood.

Enjoy peace of mind in knowing that all blowers are preprogrammed with an auto-drying cycle to clean and dry the system after every use.

---

### HydroMassage

The hydromassage is the most vigorous of all available upgrades, featuring a  $\frac{3}{4}$  hp high efficiency pump. Bath water circulates through 6 or more adjustable jets to deliver targeted massaging action with variable levels of intensity. Upgrade this massage system by adding additional jets or adding an in-line heater to help maintain your bath's water temperature.

---

### ComfortWarm™

ComfortWarm™ uses radiant heat technology to directly heat the surface of the bathtub's back-rest. Use the three heat settings to adjust the heat intensity at any time with a simple press of the electronic touchpad.

---

### VIBE Sound

The Vibe System allows you to enjoy your music or radio at the touch of a button in your shower or bathtub. The vibes of the music are synchronized with a Chromatherapy system that will change colors in synch with every beat of your favorite music.

---

### Aromatherapy

Only a few drops of fragrance are needed. The system works using a pump which leads the air towards the receptacle which is filled with a combination of water and a few essential oil drops. Once the aromatherapy system is turned on, the diffuser spreads the natural scent of the essential oil into the ambient air.

---

## Semi-Freestanding Acrylic Bath Upgrade Compatibility

Products	ComfortWarm™	Roughin EZ	Chromatherapy	Lateral Air	VIBE Sound	Aromatherapy
Fiona	x2	+	+	+	I or II	+
Milla	x1	+	+	n/a	I or II	+
Niche	x1	+	+	+	I or II	+
Rochelle	x2	+	+	+	I or II	+
Vanessa	x2	+	+	+	I or II	+

\* n/a = not available \* + = available

\*VIBE Sound I = Keypad, VIBE Sound II = Remote Control

Please note for putting together multiple upgrades contact Acritec Customer Service at [customerservice@acritec.com](mailto:customerservice@acritec.com).

## Semi-Freestanding Acrylic Bath Upgrade Options

### Lateral Air

#### 16 Jet Air System

- White	00021
- Brushed Nickel	00023
- Polished Chrome	00024
- Remote control for air blower	00133
- Remote Location kit for air blower (12' extra cable & hose)	00131
Sound Deadening Pump Pad	00160
Variable Air Blower (Replacement)	00180
<b>Custom Jet System</b>	<b>00155</b>



## Semi-Freestanding Acrylic Bath Upgrade Options

Chromatherapy Lights	Part #
2 x White Finish	01020
2 x Chrome Finish	01021



### VIBE Sound System

VIBE I + Chromatherapy Lights	
2x Speakers + 2x Chromatherapy Lights ( <b>White Finish</b> ) + <b>Advanced Keypad</b>	01022
2x Speakers + 2x Chromatherapy Lights ( <b>Chrome Finish</b> ) + <b>Advanced Keypad</b>	01023



### VIBE II + Chromatherapy Lights (For Most Freestanding Tubs)

2x Speakers + 2x Chromatherapy Lights ( <b>White Finish</b> ) + <b>Remote Control</b>	01024
2x Speakers + 2x Chromatherapy Lights ( <b>Chrome Finish</b> ) + <b>Remote Control</b>	01025



### Aromatherapy System

Diffuser System + Keypad	01030
--------------------------	-------

### ComfortWarm™

	Part #
1x ComfortWarm™ Heated Backrest (70W)	01040-01
2x ComfortWarm™ Heated Backrests (2x35W)	01040-02

### Roughin EZ

Easy installation drain kit	01086
-----------------------------	-------

### Roughin EZ

The Roughin EZ Drain provides an easy way to install a free standing bathtub. Kit includes a reusable test plug, twist lock coupling, brass tailpiece, nut and flat washer.



## Semi-Freestanding Acrylic Bath Accessories

<b>Popup Drain + Overflow Cover Plate</b>	Part #
Polished Chrome	01085
Brushed Nickel	01080
Matte Black	01084
Oil Rubbed Bronze	01079
Polished Gold	01078

\*Overflow cover plate for upgraded finishes need to be factory installed.



<b>Popup Drain Only</b> (for slotted semi-free-standing tubs)	Part #
Polished Chrome	01089
Brushed Nickel	01091
Matte Black	01092
Oil Rubbed Bronze	01093
Polished Gold	01094
White	01095
Brass Assembly	01098
Drain Stopper (Replacement)	01099



## Semi-Freestanding Acrylic Bath Accessories Compatibility

Products	Upgraded Finishes				
	Chrome	Brushed Nickel	Black	Oil Rubbed Bronze	Gold
Fiona	+	+	+	+	+
Milla	+	+	+	+	+
Niche	+	+	+	+	+
Rochelle	+	+	+	+	+
Vanessa	+	+	+	+	+

\* n/a = not available \* + = available



## 08010

Pillow | Contoured | Compatible with all Acritec baths

---

**Dimensions**

11  $\frac{7}{8}$ " x 4  $\frac{3}{8}$ "

---

**Colour**

Black

---



## 08012

Pillow | Premium | Compatible with all Acritec baths

---

**Dimensions**

11  $\frac{1}{2}$ " x 6  $\frac{1}{2}$ "

---

**Colour**

Black

---



## 08014

Pillow | Contoured | For baths with rounded backrests

---

**Dimensions**

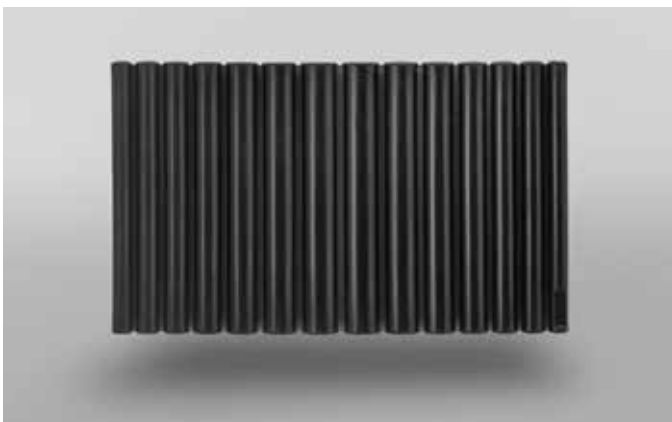
11  $\frac{1}{2}$ " x 3  $\frac{1}{8}$ "

---

**Colour**

Black

---



## 08016

Pillow | Premium | Compatible with all Acritec baths

---

**Dimensions**

15  $\frac{3}{4}$ " x 10  $\frac{1}{4}$ "

---

**Colour**

Black

---





## Fiona

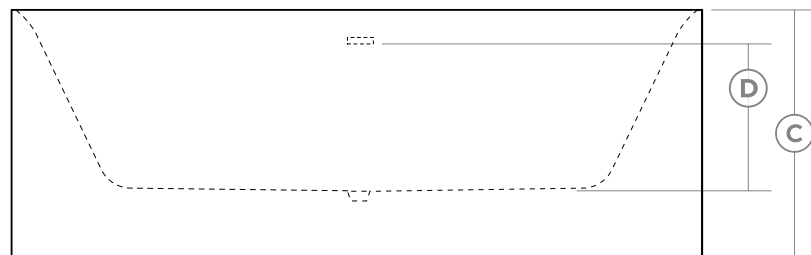
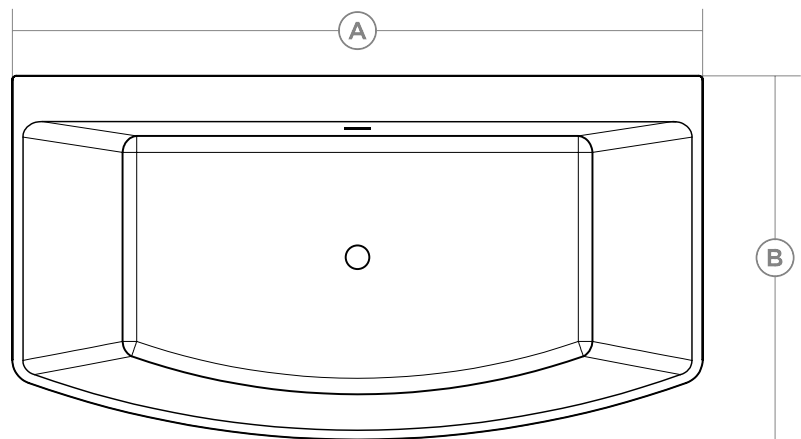
Part # 44282

### Features

- Seamless one-piece design
- Slotted overflow
- Includes tiling flange not installed
- Clicker style pop-up drain
- Flow through style drain
- Internal steel frame
- Adjustable legs
- Deck mount compatible

### Upgrades (See pg. 2-6 for details)

- Chromatherapy
- Lateral Air
- Roughin EZ Drain
- 2 x ComfortWarm™
- VIBE Sound
- Aromatherapy
- Colored drain options available  
(See pg. 5 in this section)



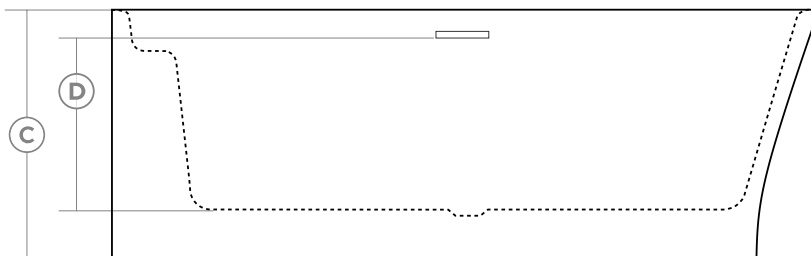
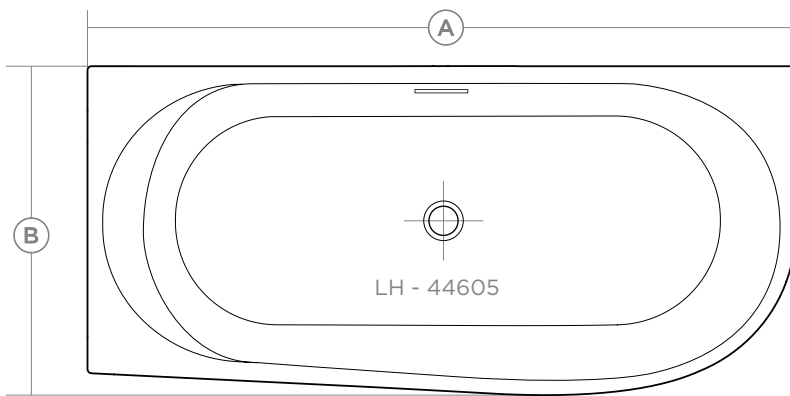
A Length	B Width	C Height	D Immersion Depth
66"	31 1/2"	23 5/8"	14 3/8"

**Recommended:** if the Semi- freestanding tub is going against the wall, the tub to be installed with the supplied tiling flange.

RH 44606



ACRYLIC



## Milla

**Part #**

LH - 44605

RH - 44606

**Features**

- Seamless one-piece design
- Slotted overflow
- Designed for corner installations
- Includes tiling flange not installed
- Clicker style pop-up drain
- Flow through style drain
- Internal steel frame
- Adjustable legs

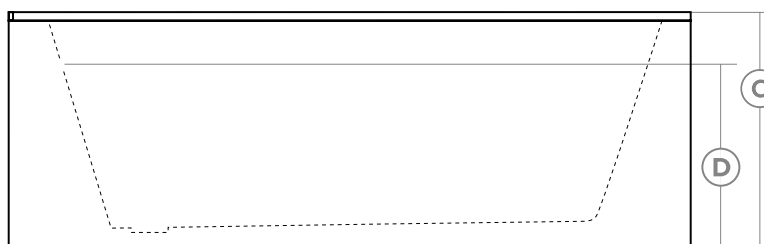
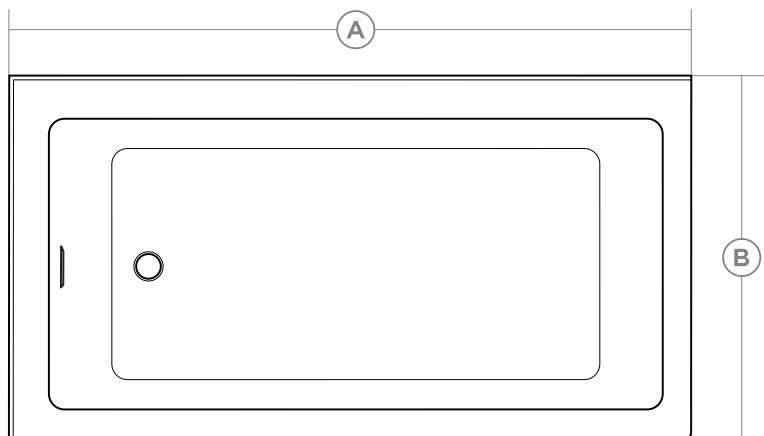
**Upgrades** (See pg. 2-6 for details)

- Chromatherapy
- Roughin EZ Drain
- VIBE Sound
- Aromatherapy
- Colored drain options available (See pg. 5 in this section)

A Length	B Width	C Height	D Immersion Depth
59"	30 ¾"	23 ⅝"	15 ½"

**Recommended:** if the Semi- freestanding tub is going against the wall, the tub to be installed with the supplied tiling flange.

LH 44601



A Length	B Width	C Height	D Immersion Depth
59 ¼"	32 ¼"	23"	15 ½"

**Recommended:** if the Semi- freestanding tub is going against the wall, the tub to be installed with the supplied tiling flange.

## Niche

### Part #

LH - 44601

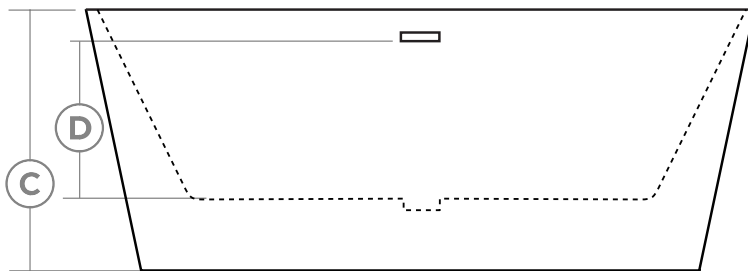
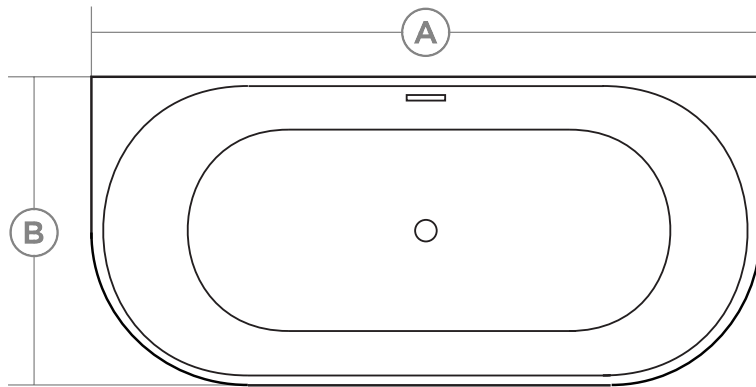
RH - 44602

### Features

- Seamless one-piece design
- Overflow plate included
- Designed for corner installations
- Includes tiling flange not installed
- Clicker style pop-up drain
- Flow through style drain
- Internal steel frame
- Adjustable legs

### Upgrades (See pg. 2-6 for details)

- Chromatherapy
- Lateral Air
- Roughin EZ Drain
- ComfortWarm™
- VIBE Sound
- Aromatherapy
- Colored drain options available  
(See pg. 5 in this section)



A Length	B Width	C Height	D Immersion Depth
59"	31 1/2"	23 1/4"	15 7/8"
66 7/8"	31 1/2"	23 1/4"	15 7/8"

**Recommended:** if the Semi- freestanding tub is going against the wall, the tub to be installed with the supplied tiling flange.

## Rochelle

**Part #**

**59"** - 44275

**67"** - 44276

**Features**

- Seamless one-piece design
- Slotted overflow
- Includes tiling flange not installed
- Finished on all sides
- Clicker style pop-up drain
- Flow through style drain
- Internal steel frame
- Adjustable legs

**Upgrades** (See pg. 2-6 for details)

- Chromatherapy
- Lateral Air
- Roughin EZ Drain
- 2 x ComfortWarm™
- VIBE Sound
- Aromatherapy
- Colored drain options available (See pg. 5 in this section)



## Vanessa

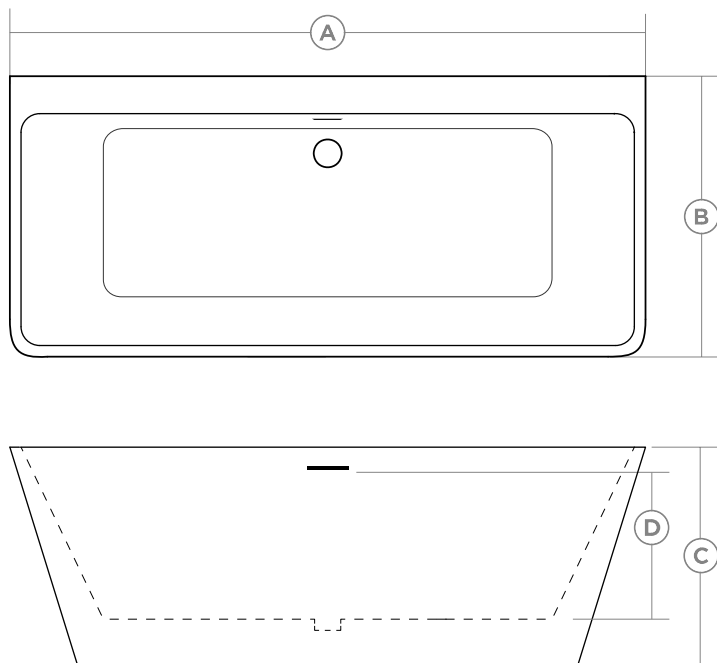
Part # 44335

### Features

- Seamless one-piece design
- Open back
- Slotted overflow
- Clicker style pop-up drain
- Flow through style drain
- Internal steel frame
- Adjustable legs
- Deckmount faucet compatible
- Includes tiling flange not installed

### Upgrades (See pg. 2-6 for details)

- Chromatherapy
- Roughin EZ Drain
- 2 x ComfortWarm™
- VIBE Sound
- Aromatherapy
- Colored drain options available (See pg. 5 in this section)



A Length	B Width	C Height	D Immersion Depth
59"	29 5/8"	22 7/8"	15 1/4"

**Recommended:** if the Semi- freestanding tub is going against the wall, the tub to be installed with the supplied tiling flange.



# Shower Base Index & Quick Reference

## Info

Accessories ..... 9

## Single Threshold

Dimensions (Width x Depth)	Low Profile Height: 3 7/8" Part #	Page	Regular Profile Height: 5" Part #	Page	Minimalist Height: 2 1/2" Part #	Page	Covered Height: 3" Part #	Page
30" x 30"	-	-	63001	12	-	-	-	-
30" x 54"	-	-	Refer to page 3		-	-	-	-
30" x 60"	-	-	Refer to page 3		-	-	-	-
32" x 32"	63032A	10	-	-	-	-	63034	16
32" x 36"	63041	10	-	-	-	-	-	-
32" x 48"	-	-	Refer to page 3		-	-	-	-
32" x 54"	-	-	Refer to page 3		-	-	-	-
32" x 60"	-	-	Refer to page 3		-	-	-	-
34" x 34"	63081A	10	-	-	-	-	-	-
34" x 36"	63085	10	-	-	-	-	-	-
36" x 32"	63092A	10	-	-	63093	19	-	-
36" x 34"	63101	10	-	-	63102	19	-	-
36" x 36"	63112A	10	-	-	63113	19	63114	16
36" x 42"	-	-	Refer to page 3		-	-	-	-
36" x 48"	-	-	Refer to page 3		-	-	-	-
36" x 54"	-	-	Refer to page 3		-	-	-	-
36" x 60"	-	-	Refer to page 3		-	-	-	-
42" x 30"	63157	11	-	-	63158	19	-	-
42" x 32"	63162A	11	-	-	63163	19	-	-
42" x 34"	63172	11	-	-	63173	19	-	-
42" x 36"	63182A	11	-	-	63183	19	63184	16

## Single Threshold

Dimensions (Width x Depth)	Low Profile Height: 3 7/8" Part #	Page	Regular Profile Height: 5" Part #	Page	Minimalist Height: 2 1/2" Part #	Page	Covered Height: 3" Part #	Page
42" x 42"	63192A	11	-	-	-	-	-	-
42" x 48"	63202	11	-	-	-	-	-	-
48" x 30"	63211A	11	-	-	63212	19	-	-
48" x 32"	63221A	11	-	-	63222	19	63223	16
48" x 34"	63241A	11	-	-	63242	19	-	-
48" x 36"	63251A	11	-	-	63252	19	63254	16
48" x 42"	63271	11	-	-	-	-	-	-
48" x 48"	63291A	11	-	-	-	-	-	-
54" x 30"	-	-	-	-	63308	19	-	-
54" x 32"	-	-	-	-	63309	19	-	-
54" x 34"	-	-	-	-	63310	19	-	-
54" x 36"	-	-	-	-	63311	19	-	-
54" x 42"	-	-	63315	12	-	-	-	-
60" x 30"	63322A	11	-	-	63323	19	-	-
60" x 32"	63362A	11	-	-	63363	19	63364	16
60" x 34"	63402A	11	-	-	63403	19	-	-
60" x 36"	63412A	11	-	-	63413	19	63414	16
60" x 38"	-	-	63431	12	-	-	-	-
60" x 40"	-	-	63441	12	-	-	-	-
60" x 42"	63451A	11	-	-	-	-	-	-
66" x 32"	63472	11	-	-	63473	19	-	-
66" x 36"	63492	11	-	-	63493	19	-	-
72" x 32"	63512	11	-	-	63513	19	-	-
72" x 36"	63532A	11	-	-	63533	19	-	-



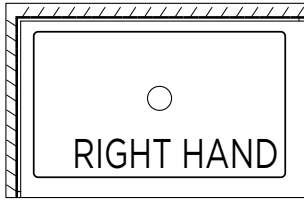
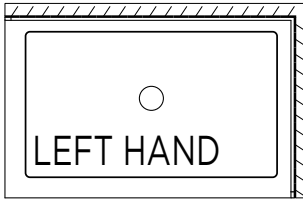
# Single Threshold End Drain

Dimensions (Width x Depth)	Low Profile End Drain Height: 3 7/8" Part #	Page	Regular Profile End Drain Height: 5" Part #	Page	Low Profile Linear (Grill) End Drain Height: 3 7/8" Part #	Page	Low Profile Covered End Drain Height: 3" Part #	Page
30" x 54"	- -	-	63011	14	- -	-	- -	-
30" x 60"	- -	-	63021	14	- -	-	- -	-
32" x 48"	- -	-	63051	14	- -	-	- -	-
32" x 54"	- -	-	63061	14	- -	-	- -	-
32" x 60"	- -	-	63071	14	- -	-	- -	-
36" x 42"	- -	-	63121	14	- -	-	- -	-
36" x 48"	- -	-	63131	14	- -	-	- -	-
36" x 54"	- -	-	63141	14	- -	-	- -	-
36" x 60"	- -	-	63151	14	- -	-	- -	-
48" x 30"	LH 63214 RH 63215	13	-	-	LH 63218G RH 63219G	15	- -	-
48" x 32"	LH 63224 RH 63225	13	-	-	LH 63228G RH 63229G	15	- -	-
48" x 36"	- -	-	-	-	LH 63258G RH 63259G	15	- -	-
60" x 30"	LH 63331A RH 63351A	13	-	-	LH 63331G RH 63351G	15	LH 63331CD RH 63351CD	17
60" x 32"	LH 63371A RH 63391A	13	-	-	LH 63371G RH 63391G	15	LH 63371CD RH 63391CD	17
60" x 36"	LH 63418A RH 63419A	13	-	-	LH 63418G RH 63419G	15	LH 63418CD RH 63419CD	17

## Barrier-Free

<b>Dimensions</b> (Width x Depth)	<b>Single Threshold Height: 2" Part #</b>	<b>Page</b>	<b>Single Threshold End Drain Height: 2" Part #</b>		<b>Page</b>
48 x 36	72011	20	-	-	-
48 x 38	72021	20	-	-	-
48 x 42	72031	20	-	-	-
48 x 48	72041	20	-	-	-
54 x 36	72051	20	-	-	-
60 x 30	-	-	LH RH	72061 72071	21
60 x 32	72081	20	LH RH	72091 72101	21
60 x 34	72111	20	-	-	-
60 x 36	72121	20	-	-	-
60 x 38	72131	20	-	-	-
60 x 40	72141	20	-	-	-
60 x 42	72151	20	-	-	-

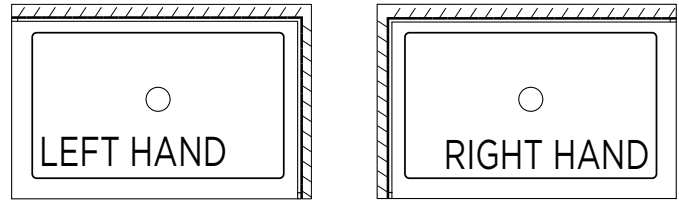
# Double Threshold



Dimensions (Width x Depth)	Low Profile Height: 3 7/8" LH Threshold RH Threshold Part #	Page	Minimalist Height: 2 1/2" LH Threshold RH Threshold Part #	Page	Covered Height: 3" LH Threshold RH Threshold Part #	Page
32" x 32"	LH/RH 60002A	23	- -	-	LH/RH 60004	24
34" x 34"	LH/RH 60012A	23	- -	-	- -	-
36" x 32"	LH 60014A RH 60015A	23	- -	-	- -	-
36" x 36"	LH/RH 60032A	23	LH/RH 60033	26	LH/RH 60034	24
38" x 38"	LH/RH 60041	23	- -	-	- -	-
42" x 32"	LH 60042A RH 60043A	23	- -	-	- -	-
42" x 36"	LH 60044A RH 60045A	23	- -	-	LH 60048 RH 60049	24
42" x 42"	LH/RH 60062A	23	- -	-	- -	-
48" x 30"	LH 60074A RH 60075A	23	- -	-	- -	-
48" x 32"	LH 60084A RH 60085A	23	- -	-	LH 60088 RH 60089	24
48" x 34"	LH 60094A RH 60095A	23	- -	-	- -	-
48" x 36"	LH 60104A RH 60105A	23	LH 60106 RH 60107	26	LH 60108 RH 60109	24

**Please, refer to the above drawing before placing the order.**

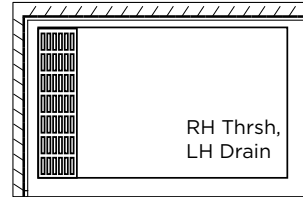
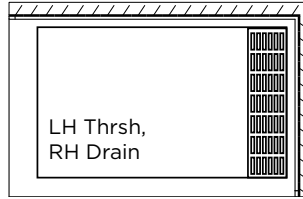
## Double Threshold



Dimensions (Width x Depth)	Low Profile Height: 3 7/8" LH Threshold RH Threshold Part #	Page	Minimalist Height: 2 1/2" LH Threshold RH Threshold Part #	Page	Covered Height: 3" LH Threshold RH Threshold Part #	Page
48" x 42"	LH 60114 RH 60115	23	- -	-	- -	-
48" x 48"	LH/RH 60125A	23	- -	-	- -	-
60" x 30"	LH 60134A RH 60135A	23	LH 60136 RH 60137	26	-	-
60" x 32"	LH 60144A RH 60145A	23	LH 60146 RH 60147	26	LH 60148 RH 60149	24
60" x 34"	LH 60154A RH 60155A	23	LH 60156 RH 60157	26	- - - -	-
60" x 36"	LH 60164A RH 60165A	23	LH 60166 RH 60167	26	LH 60168 RH 60169	24
60" x 42"	LH 60172A RH 60173A	23	- -	-	- -	-
66" x 32"	LH 60184 RH 60185	23	LH 60186 RH 60187	26	- -	-
66" x 36"	LH 60204 RH 60205	23	LH 60206 RH 60207	26	- -	-
72" x 32"	LH 60224 RH 60225	23	LH 60226 RH 60227	26	- -	-
72" x 36"	LH 60244A RH 60245A	23	LH 60246 RH 60247	26	- -	-

**Please, refer to the above drawing before placing the order.**

## Double Threshold Linear (Grill) End Drain



Dimensions (Width x Depth)	LH Threshold, RH Drain Height: 3 7/8" Part #	RH Threshold, LH Drain Height: 3 7/8" Part #	Page
42" x 36"	60044G	60045G	25
60" x 30"	60134G	60135G	25
60" x 32"	60144G	60145G	25
60" x 36"	60164G	60165G	25

**Please, refer to the above drawing before placing the order.**

- Price includes stainless steel linear drain cover
- Consult technical specifications for threshold heights and drain placements

## Corner

Dimensions (Width x Depth)	Belly Round Front Height: 4 ¼" Part #	Page	Round Front Height: 5" Part #	Page	Neo-Angle Height: 4" Part #	Page
32" x 32"	-	-	62011	28	-	-
34" x 34"	64010	27	-	-	61011A	29
36" x 36"	64012	27	62020A	28	61021A	29
					61022 (*AFRC)	29
38" x 38"	-	-	-	-	61030	29
					61031 (*AFRC)	29
40" x 40"	-	-	62041	28	61032	29
42" x 42"	-	-	-	-	61041	29
48" x 48"	-	-	-	-	61042	29

\*AFRC: Above floor rough-in compatible (Height: 9 ½")

## Receptor Alcove I End Drain

Products	Dimensions	Item No.	Page
Pender LH	59 ⅞" x 33" x 22 ½"	63612	30
Pender RH	59 ⅞" x 33" x 22 ½"	63613	30

# Shower Base Accessories

Accessories	Item #
Grill Cover 24 7/8" (Chrome) for Replacement (60" x 30" & 60" x32")	02999
Grill Cover 28 7/8" (Chrome) for Replacement (60" x 36")	03000
Standard Shower Drain (White)	03001
Standard Shower Drain (Chrome)	03004
Square Cover for Replacement (7" x 7")	03015
Rectangular Cover for Replacement (9 3/8" x 6 3/8")	03016
Collapsible Threshold (Barrier Free Showers)	05010
End Caps for Collapsible Threshold (Barrier Free Showers)	05011

Note: measurements provided here-in are nominal and are approximate. Detailed measurements are listed on product specification sheets (available online).



## 6 | Shower Bases Single Threshold

More  
Sizes  
----->



### Low Profile

#### Single Threshold

\*A Series - Centre Drain

Height: 3 7/8"

#### Compatible Shower Doors

Dimensions (Width x Depth)	Part #	Abbott Series	Ruxton	Cortez	Ebony
		10 & 8mm Chrome Section 7 Pg. 4	6mm Chrome Section 7 Pg. 13-14	8mm Chrome Section 7 Pg. 6-7	6mm Matte Black Section 7 Pg. 8-9
32" x 32"	63032A	-	51106	-	-
32" x 36"	63041	-	51106	-	-
34" x 34"	63081A	-	51126	-	-
34" x 36"	63085	-	51126	-	-
36" x 32"	63092A	-	51146	-	51723
36" x 34"	63101	-	51146	-	51723
36" x 36"	63112A	-	51146	-	51723

NS: These sizes are made to order and are generally non-stocking items. Please allow for manufacturing time.  
NS models not returnable once ordered.

\* Refer to shower door section for additional finish options.



## Low Profile

Single Threshold

### Compatible Shower Doors

\*A Series - Centre Drain  
Height: 3 7/8"

<b>Dimensions</b> (Width x Depth)	<b>Part #</b>	<b>Abbott Series</b> 10 & 8mm Chrome Section 7, Pg. 4	<b>Ruxton</b> 6mm Chrome Section 7, Pg. 13-14	<b>Cortez / Pristina</b> 8mm Chrome Section 7, Pg. 6-7 or 11	<b>Ebony</b> 6mm Matte Black Section 7, Pg. 8-9
42" x 30" NS	63157	-	51166	51603.S42LH or 51803	-
42" x 32"	63162A	-	51166		-
42" x 34" NS	63172	-	51166		-
42" x 36"	63182A	-	51166		-
42" x 42"	63192A	-	51166		-
42" x 48" NS	63202	-	51166		-
48" x 30"	63211A	57063	51184	51603.S48LH or 51606.S48RH	51723.51733
48" x 32"	63221A	57063	51184		51723.51733
48" x 34"	63241A	57063	51184		51723.51733
48" x 36"	63251A	57063	51184		51723.51733
48" x 42"	63271	57063	51184		51723.51733
48" x 48"	63291A	57063	51184		51723.51733
60" x 30"	63322A	57073	-	51613.S60LH or 51616.S60RH	51723.51743
60" x 32"	63362A	57073			51723.51743
60" x 34"	63402A	57073			51723.51743
60" x 36"	63412A	57073			51723.51743
60" x 42"	63451A	57073			51723.51743
66" x 32" NS	63472	57083			-
66" x 36" NS	63492	57083	-	-	-
72" x 32" NS	63512	57093	-	-	-
72" x 36"	63532A	57093			

NS: These sizes are made to order and are generally non-stocking items. Please allow for manufacturing time.  
NS models not returnable once ordered.

\* Refer to shower door section for additional finish options.

**6 | Shower Bases**  
**Single Threshold**



**Regular Profile**

Single Threshold

**Compatible Shower Doors**

Height: 5"

Dimensions (Width x Depth)		Part #	Abbott Series 10 & 8mm Chrome Section 7 Pg. 4	Ruxton 6mm Chrome Section 7 Pg. 13-14	Cortez 8mm Chrome Section 7 Pg. 6-7	Ebony 6mm Matte Black Section 7 Pg. 8-9
30" x 30"		63001	-	-	-	-
54" x 42"	NS	63315	-	-	-	-
60" x 38"		63431	57073	-	51613.S60LH or 51616.S60RH	51723.51743
60" x 40"		63441	57073	-	51616.S60RH	51723.51743

NS: These sizes are made to order and are generally non-stocking items. Please allow for manufacturing time.

NS models not returnable once ordered.

\* Refer to shower door section for additional finish options.



## Low Profile

Single Threshold | End Drain

Height: 3 7/8"

### Compatible Shower Doors

Dimensions (Width x Depth)	Left Drain Part #	Right Drain Part #	Abbott Series	Ruxton	Cortez	Ebony
			10 & 8mm Chrome Section 7 Pg. 4	6mm Chrome Section 7 Pg. 13-14	8mm Chrome Section 7 Pg. 6-7	6mm Matte Black Section 7 Pg. 8-9
48" x 30"	63214	63215	57063	51184	51603.S48LH or 51606.S48RH	51723.51733
48" x 32"	63224	63225	57063	51184	51606.S48RH	51723.51733
60" x 30"	63331A	63351A	57073	-	51613.S60LH or 51616.S60RH	51723.51743
60" x 32"	63371A	63391A	57073	-	51613.S60LH or 51616.S60RH	51723.51743
60" x 36"	63418A	63419A	57073	-	51613.S60LH or 51616.S60RH	51723.51743

\* Refer to shower door section for additional finish options.

## 6 | Shower Bases Single Threshold



### Regular Profile

Single Threshold | End Drain

Height: 5"

#### Compatible Shower Doors

		<b>Abbott Series</b> 10 & 8mm  Chrome Section 7 Pg. 4	<b>Ruxton</b> 6mm  Chrome Section 7 Pg. 13-14	<b>Cortez</b> 8mm  Chrome Section 7 Pg. 6-7	<b>Ebony</b> 6mm  Matte Black Section 7 Pg. 8-9
<b>Dimensions</b> (Width x Depth)	<b>Part #</b>				
30" x 54"	63011	-	-	-	-
30" x 60"	63021	-	-	-	-
32" x 48"	63051	-	51106	-	-
32" x 54"	63061	-	51106	-	-
32" x 60"	63071	-	51106	-	-
36" x 42"	63121	-	51146	-	51723
36" x 48"	63131	-	51146	-	51723
36" x 54"	NS 63141	-	51146	-	51723
36" x 60"	NS 63151	-	51146	-	51723

NS: These sizes are made to order and are generally non-stocking items. Please allow for manufacturing time.  
NS models not returnable once ordered.

\* Refer to shower door section for additional finish options.

Left Hand  
Shown



## Low Profile

Single Threshold | Linear End Drain

Height: 3 7/8"

### Compatible Shower Doors

Dimensions (Width x Depth)	Left Drain Part #	Right Drain Part #	Abbott Series	Ruxton	Cortez	Ebony
			10 & 8mm Chrome Section 7 Pg. 4	6mm Chrome Section 7 Pg. 13-14	8mm Chrome Section 7 Pg. 6-7	6mm Matte Black Section 7 Pg. 8-9
48" x 30"	63218G	63219G	57063	51184		51723.51733
48" x 32"	63228G	63229G	57063	51184	51603.S48LH or 51606.S48RH	51723.51733
48" x 36"	63258G	63259G	57063	51184		51723.51733
60" x 30"	63331G	63351G	57073			51723.51743
60" x 32"	63371G	63391G	57073	-	51613.S60LH or 51616.S60RH	51723.51743
60" x 36"	63418G	63419G	57073			51723.51743

### Replacement Grill Covers (Chrome)

24 7/8" 02999 for 60" x 30" & 60" x 32"

28 7/8" 03000 for 60" x 36"

\* Refer to shower door section for additional finish options. - Price includes grill cover  
- Consult technical specifications for threshold heights and drain placements

## 6 | Shower Bases Single Threshold



### Low Profile

Single Threshold | Covered Drain

#### Compatible Shower Doors

Height: 3"

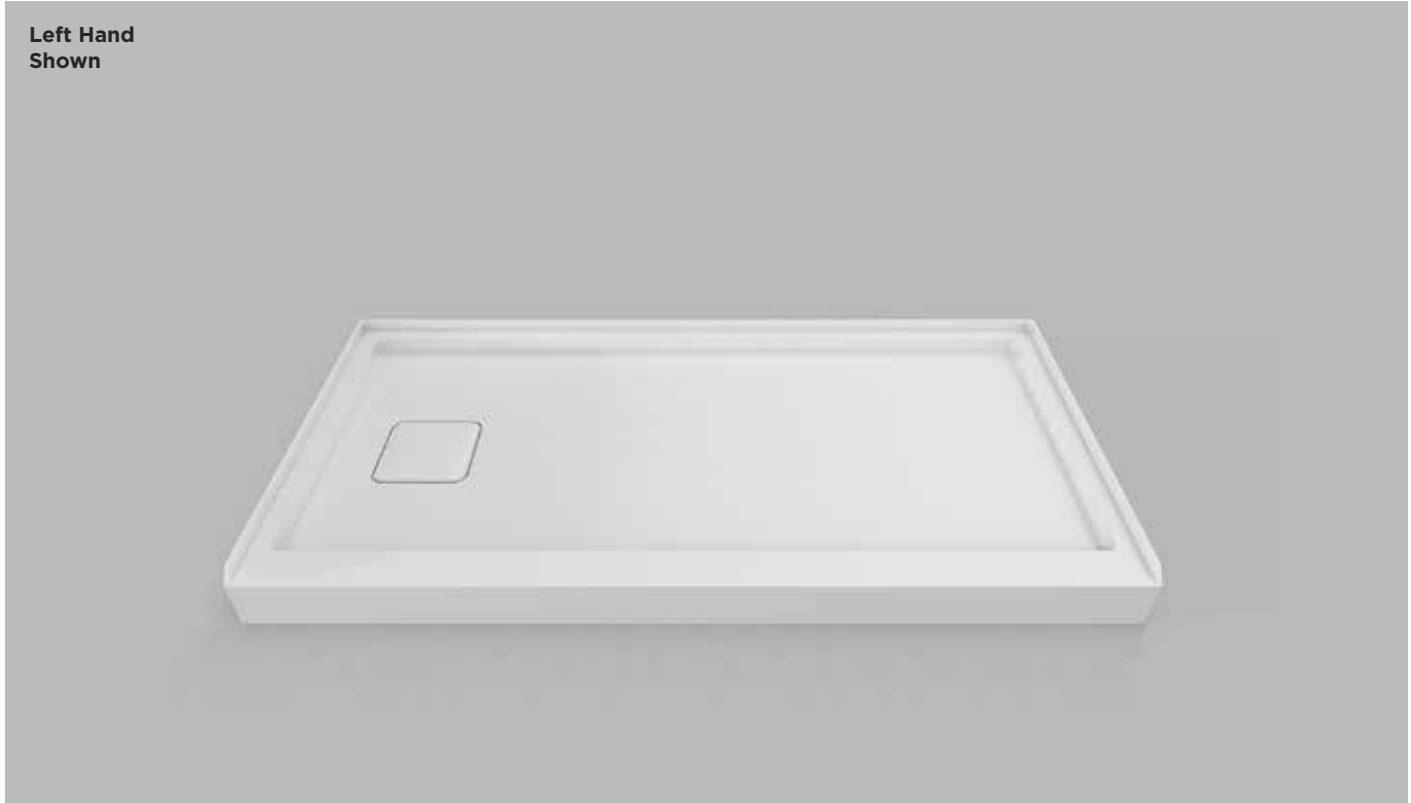
Dimensions (Width x Depth)	Part #	Abbott Series	Ruxton	Cortez / Pristina	Ebony
		10 & 8mm Chrome Section 7 Pg. 4	6mm Chrome Section 7 Pg. 13-14	8mm Chrome Section 7 Pg. 6-7 or 11	6mm Matte Black Section 7 Pg. 8-9
32" x 32"	63034	-	51106	-	-
36" x 36"	63114	-	51146	-	51723
42" x 36"	63184	-	51166	51603.S42LH or 51803	-
48" x 32"	63223	57063	51184	51603.S48LH or 51606.S48RH	51723.51733
48" x 36"	63254	57063	51184		51723.51733
60" x 32"	63364	57073	-	51613.S60LH or 51616.S60RH	51723.51743
60" x 36"	63414	57073			51723.51743

#### Replacement Covers:

Square 7" x 7" 03015

Rectangular 9 3/8" x 6 3/8" 03016

\* Refer to shower door section for additional finish options.



## Low Profile

Single Threshold | Covered End Drain

Height: 3"

### Compatible Shower Doors

Dimensions (Width x Depth)	Left Drain Part #	Right Drain Part #	Abbott Series 10 & 8mm Chrome Section 7 Pg. 4	Ruxton 6mm Chrome Section 7 Pg. 13-14	Cortez 8mm Chrome Section 7 Pg. 6-7	Ebony 6mm Matte Black Section 7 Pg. 8-9
60" x 30"	63331CD	63351CD	57073	-	51613.S60LH or 51616.S60RH	51723.51743
60" x 32"	63371CD	63391CD	57073	-	51613.S60LH or 51616.S60RH	51723.51743
60" x 36"	63418CD	63419CD	57073	-	51613.S60LH or 51616.S60RH	51723.51743

### Replacement Covers:

Square 7" x 7" 03015

\* Refer to shower door section for additional finish options.

**6 | Shower Bases**  
**Single Threshold**

**Minimalist  
Sizes**  
----->





# Minimalist

## Single Threshold

### Compatible Shower Doors

Height: 2 ½"			Abbott Series 10 & 8mm Chrome Section 7 Pg. 4	Ruxton 6mm Chrome Section 7 Pg. 13-14	Cortez / Pristina 8mm Chrome Section 7 Pg. 6-7 or 11	Ebony 6mm Matte Black Section 7 Pg. 8-9
Dimensions (Width x Depth)		Part #				
36" x 32"	NS	63093		51146		51723
36" x 34"	NS	63102	-	51146	-	51723
36" x 36"		63113		51146		51723
42" x 30"	NS	63158		51166		
42" x 32"	NS	63163		51166	51603.S42LH or 51803	-
42" x 34"	NS	63173		51166		
42" x 36"		63183		51166		
48" x 30"	NS	63212	57063	51184		51723.51733
48" x 32"		63222	57063	51184	51603.S48LH or 51606.S48RH	51723.51733
48" x 34"	NS	63242	57063	51184		51723.51733
48" x 36"		63252	57063	51184		51723.51733
54" x 30"	NS	63308				
54" x 32"	NS	63309				
54" x 34"	NS	63310	-	-	-	-
54" x 36"	NS	63311				
60" x 30"		63323	57073			51723.51743
60" x 32"		63363	57073		51613.S60LH or 51616.S60RH	51723.51743
60" x 34"	NS	63403	57073	-		51723.51743
60" x 36"		63413	57073			51723.51743
66" x 32"	NS	63473	57083		51613.S66LH or 51616.S66RH	-
66" x 36"		63493	57083	-		
72" x 32"	NS	63513	57093			
72" x 36"		63533	57093	-	-	-

NS: These sizes are made to order and are generally non-stocking items. Please allow for manufacturing time.  
NS models not returnable once ordered.

\* Refer to shower door section for additional finish options.

**6 | Shower Bases**  
**Single Threshold**



**Barrier-Free**

**Single Threshold**

Height: 2"

<b>Dimensions</b> (Width x Depth)		<b>Part #</b>
48 x 36	NS	72011
48 x 38	NS	72021
48 x 42	NS	72031
48 x 48	NS	72041
54 x 36	NS	72051
60 x 32		72081
60 x 34		72111
60 x 36		72121
60 x 38		72131
60 x 40		72141
60 x 42		72151
Collapsible Threshold		05010
End Caps for Collapsible Threshold (Barrier Free Showers)		05011

NS: These sizes are made to order and are generally non-stocking items. Please allow for manufacturing time.  
 NS models not returnable once ordered.



## Barrier-Free

Single Threshold | End Drain

Height: 2"

Dimensions (Width x Depth)	LH-Drain Part #	RH-Drain Part #
60" x 30"	72061	72071
60" x 32"	72091	72101
Collapsible Threshold		05010
End Caps for Collapsible Threshold (Barrier Free Showers)		05011

"Consult technical specifications for threshold heights and drain placements.  
Barrier free shower bases are not intended for installation with a shower door."

**6 | Shower Bases**  
**Double Threshold**

**Left Hand Threshold**  
**Shown**

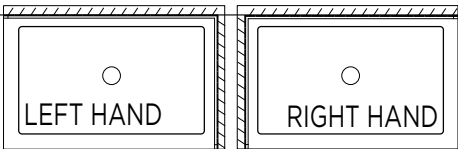
**Sizes**  
----->



## Low Profile

Double Threshold | \*A Series - Centre Drain

### Compatible Shower Doors

Height: 3 7/8"				Abbott Series	Ruxton	Cortez / Pristina	Ebony
Dimensions (Width x Depth)	Left Threshold Part#	Right Threshold Part #		10 & 8mm Chrome Section 7 Pg. 15	6mm Chrome Section 7 Pg. 22	8mm Chrome Section 7 Pg. 16-17 or 20	6mm Matte Black Section 7 Pg. 18-19
32" x 32"		60002A		-	53016	-	-
34" x 34"		60012A		-	53028	-	-
36" x 32"	60014A	60015A		-	53046	-	-
36" x 36"		60032A		-	53036	-	51723.51773
38" x 38"	NS	60041		-	-	-	-
42" x 32"	60042A	60043A		-	-	See Section 7, Pg. 15, 16 for detailed part numbers for compatible doors.	-
42" x 36"	60044A	60045A		-	-	51803.51873	-
42" x 42"	60062A	60062A		-	-		-
48" x 30"	60074A	60075A		57063.57103	-		-
48" x 32"	60084A	60085A		57063.57113	-		51723. 51733.51753
48" x 34"	60094A	60095A		57063.57123	-		-
48" x 36"	60104A	60105A		57063.57133	-		51723. 51733.51773
48" x 42"	NS 60114	60115		-	-	See Section 7, Pg. 15, 16 for detailed part numbers for compatible doors.	-
48" x 48"		60125A		-	-		-
60" x 30"	60134A	60135A		57073.57103	-		-
60" x 32"	60144A	60145A		57073.57113	-		51723. 51743.51753
60" x 34"	60154A	60155A		57073.57123	-		-
60" x 36"	60164A	60165A		57073.57133	-		51723. 51743.51773
60" x 42"	60172A	60173A		-	-		-
66" x 32"	NS 60184	60185		57083.57113	-		-
66" x 36"	NS 60204	60205		57083.57133	-		-
72" x 32"	NS 60224	60225		57093.57113	-	-	-
72" x 36"	60244A	60245A		57093.57133	-	-	-

NS: These sizes are made to order and are generally non-stocking items. Please allow for manufacturing time. NS models not returnable once ordered.

**Please, refer to the above drawing before placing the order.**

## 6 | Shower Bases Double Threshold

Right Hand Threshold  
Shown

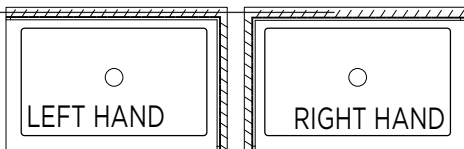


### Low Profile

Double Threshold | Covered Drain

#### Compatible Shower Doors

Height: 3"



Dimensions (Width x Depth)	Left Threshold Part #	Right Threshold Part #	Abbott Series 10 & 8mm Chrome Section 7 Pg. 15	Ruxton 6mm Chrome Section 7 Pg. 22	Cortez / Pristina 8mm Chrome Section 7 Pg. 16-17 or 20	Ebony 6mm Matte Black Section 7 Pg. 18-19
32" x 32"	60004	60004	-	53016	-	-
36" x 36"		60034	-	53036	-	51723.51773
42" x 36"	60048	60049	-	-	51803.51873	-
48" x 32"	60088	60089	57063.57113	-	See Section 7, Pg. 15, 16 for detailed part numbers for compatible doors.	51723. 51733.51753
48" x 36"	60108	60109	57063.57133	-		51723. 51733.51773
60" x 32"	60148	60149	57073.57113	-		51723. 51743.51753
60" x 36"	60168	60169	57073.57133	-		51723. 51743.51773

#### Replacement Cover

Square	7" x 7"	03015
Rectangular	9 3/8" x 6 3/8"	03016

**Please, refer to the above drawing before placing the order.**

Right Hand Threshold,  
Left Hand Drain  
Shown

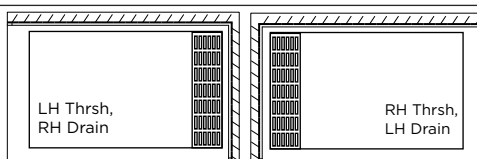


## Low Profile

Double Threshold | Linear End Drain (Grill)

### Compatible Shower Doors

Height: 3 7/8"



Dimensions (Width x Depth)	LH Threshold, RH Drain Part #	RH Threshold, LH Drain Part #	Abbott Series 10 & 8mm  Chrome Section 7 Pg. 15	Ruxton 6mm  Chrome Section 7 Pg. 22	Cortez / Pristina 8mm  Chrome Section 7 Pg. 16-17 or 20	Ebony 6mm  Matte Black Section 7 Pg. 18-19
42" x 36"	60044G	60045G	See Section 7, Pg. 14 for detailed part numbers for compatible doors.	-	51803.51873	-
60" x 30"	60134G	60135G			See Section 7, Pg. 16, 17 for detailed part numbers for compatible doors.	-
60" x 32"	60144G	60145G			51723. 51743.51753	
60" x 36"	60164G	60165G			51723. 51743.51773	

### Replacement Grill Covers (Chrome)

24 7/8"      02999 for 60" x 30" & 60" x 32"

28 7/8"      03000 for 60" x 36"

**Please, refer to the above drawing before placing the order.**

- Price includes grill cover

- Consult technical specifications for threshold heights and drain placements

## 6 | Shower Bases Double Threshold

Right Hand  
Shown



### Minimalist Double Threshold

#### Compatible Shower Doors

Height: 2 ½"							
			<b>Abbott Series</b>	<b>Ruxton</b>	<b>Cortez</b>	<b>Ebony</b>	
<b>Dimensions</b> (Width x Depth)	<b>Left Threshold Part #</b>	<b>Right Threshold Part #</b>	10 & 8mm Chrome Section 7 Pg. 15	6mm Chrome Section 7 Pg. 22	8mm Chrome Section 7 Pg. 16-17 or 20	6mm Matte Black Section 7 Pg. 18-19	
36" x 36"		60033	-	53036	-	51723.51773	
48" x 36"	60106	60107	57063.57133	-	See Section 7, Pg. 15, 16 for detailed part numbers for compatible doors	51723. 51733.51773	
60" x 30"	60136	60137	57073.57103	-		-	
60" x 32"	60146	60147	57073.57113	-		51723. 51743.51753	
60" x 34"	NS 60156	60157	57073.57123	-		-	
60" x 36"	60166	60167	57073.57133	-		51723. 51743.51773	
66" x 32"	NS 60186	60187	57083.57113	-		-	
66" x 36"	NS 60206	60207	57083.57133	-		-	
72" x 32"	NS 60226	60227	57093.57113	-		-	-
72" x 36"	NS 60246	60247	57093.57133	-		-	-

NS: These sizes are made to order and are generally non-stocking items. Please allow for manufacturing time.  
NS models not returnable once ordered.

**Please, refer to the above drawing before placing the order.**





**Belly Round Front  
Corner**

Height: 4 ¼"

Compatible Shower Doors (\*Chrome)

**Gabriola**  
6mm

Section 7, Pg. 23

Dimensions	Part#	
34" x 34"	64010	50005
36" x 36"	64012	50007

\* Refer to shower door section for additional finish options.

**6 | Shower Bases  
Corner**



**Round Front  
Corner**

Height: 5"

Dimensions	Part#
32" x 32"	62011
36" x 36"	62020A
40" x 40"	62041

**Compatible Shower Doors (\*Chrome)**

	Single Door	Double Door
	<b>Quadra 8R1</b> 8mm Section 7, Pg. 24	<b>Quadra 8R2</b> 8mm Section 7, Pg. 25
	50046	50048
	50056	50058
	50076	50078

\* Refer to shower door section for additional finish options.



**Neo-Angle  
Corner**

Height: 4"  
9 1/2" (Above floor rough-in compatible)

**Compatible Shower Doors (\*Chrome)**

**Swayze  
Single Door**  
8mm

Section 7, Pg. 26

Dimensions	Part #	
34" x 34" NS	61011A	
36" x 36"	61021A	54113
36" x 36" NS Above floor rough-in compatible	61022	
38" x 38" NS	61030	54123
38" x 38" NS Above floor rough-in compatible	61031	
40" x 40" NS	61032	54133
42" x 42" NS	61041	54143
48" x 48" NS	61042	54153

NS: These sizes are made to order and are generally non-stocking items. Please allow for manufacturing time.  
NS models not returnable once ordered.

\* Refer to shower door section for additional finish options.

## 6 | Shower Bases Receptor

Left Hand Drain Shown  
# 63612



### Pender

Alcove | End Drain

Height: 22 1/2"

#### Part #

LH - 63612

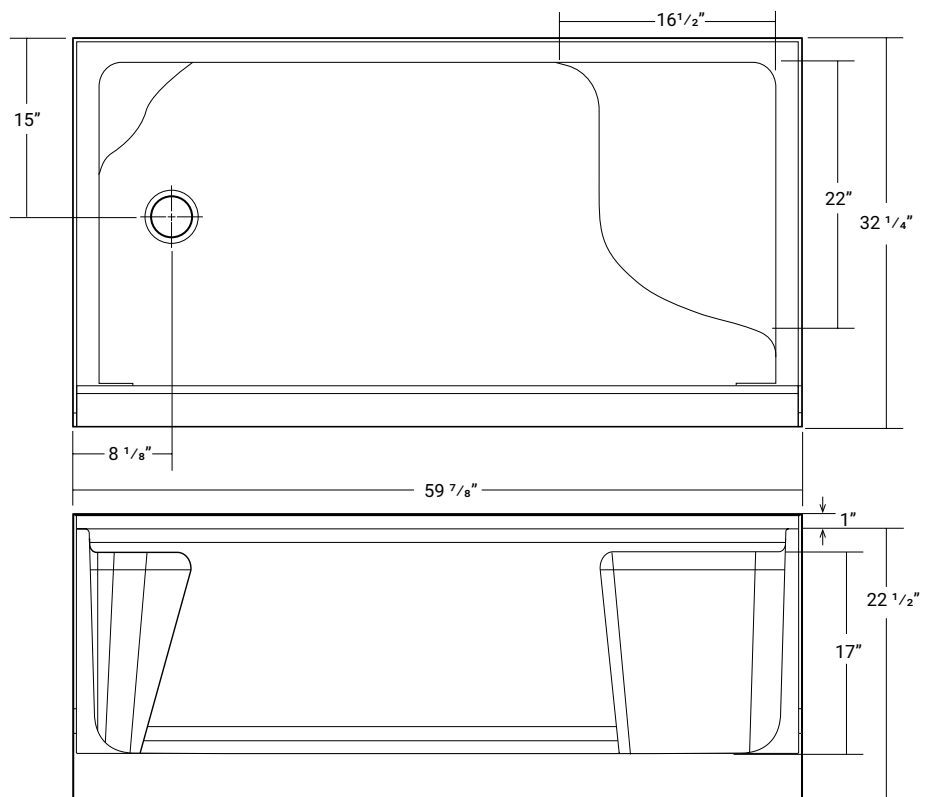
RH - 63613

#### Features

- 17" comfort height seat
- Soap shelf
- End drain
- Traditional bath replacement size
- Integral tiling flange

#### Compatible Shower Door

Abbott 60"	Part #
Chrome	57073
Matte Black	57074



# Shower Door Index

---

## Bath Door & Screen

Abbott Series ..... 2  
Saturna..... 3

## Single Threshold

Abbott Series ..... 4  
B03 ..... 5  
Cortez Series Left Hand ..... 6  
Cortez Series Right Hand ..... 7  
Ebony Series ..... 8  
Ebony Extended Series ..... 9  
H02 Series Right Hand ..... 10  
Pristina Series..... 11  
R02 Series..... 12  
Ruxton Series ..... 13  
Ruxton Extended Series..... 14

## Double Threshold

Abbott Series ..... 15  
Cortez Series Left Hand ..... 16  
Cortez Series Right hand..... 17  
Ebony Series ..... 18  
Ebony Extended Series ..... 19  
Pristina Series..... 20  
R02 Series..... 21  
Ruxton Series ..... 22

## Corner

Gabriola ..... 23  
Quadra 8R1 ..... 24  
Quadra 8R2 ..... 25  
Swayze ..... 26

**7 | Doors**  
**Bath Door & Screen**

## Abbott Series

Single Threshold Rolling Door

---

The Abbott series has an easy-clean coated glass and is held by INOX stainless steel hardware for improved durability.

**Frame Style**

Frameless

---

**Finish**

Chrome or Brushed Nickel

---

**Door Panel**

8mm tempered safety glass door

---

**Fixed Panel**

10mm tempered safety glass

---

**Reversible**

Yes

---



Nominal Size**	Overall Height	Chrome #	Brushed Nickel #
60"	66"	n/a	56039
60"	56"	56053	n/a

\* Limited availability; please call before ordering

\*\* Measurements are the rough-in dimensions of the bathtub before wallboard & tiling

## Saturna

Single Threshold Bath Screen

---

The Saturna bathtub screen has an easy-clean coated glass and is held by INOX stainless steel hardware for improved durability.

### Overall Height

51 1/8"

---

### Frame Style

Frameless

---

### Finish

Chrome or Brushed Nickel

---

### Screen

6mm pivoting bath screen

---

### Reversible

Yes

---



Finished Span	Chrome #	Brushed Nickel #
27 1/2"	58053	58050

**7 | Doors**  
**Single Threshold**



**Abbott Series**

Single Threshold Rolling Door

The Abbott series has an easy-clean coated glass and is held by INOX stainless steel hardware for improved durability.

**Overall Height**

78 3/4" (74 3/4" Walk-In height)

**Frame Style**

Frameless door



**Finish**

Chrome, Brushed Nickel, or Matte Black

**Door Panel**

8mm tempered safety glass door

**Fixed Panel**

10mm tempered safety glass

**Reversible**

Yes

Nominal Base Size**	Finished Span	Chrome #	Brushed Nickel #	Matte Black #
48"	45 5/8" - 46 5/8"	57063	n/a	57064
60"	57 5/8" - 58 5/8"	57073	n/a	57074
66"	63 5/8" - 64 5/8"	57083	57080	n/a
72"	69 5/8" - 70 5/8"	57093	57090	n/a

\*\* Measurements relate to the matching shower base sizes at rough-in stage (pre-finishing)



## B03

Single Threshold  
Sliding Bypass Door

---

The B03 sliding door is held by INOX stainless steel hardware for improved durability.

### Frame Style

Semi-Frameless

---

### Finish

Chrome or brushed nickel

---

### Door Panel

8mm tempered safety glass door

---

### Reversible

No

---



Nominal Base Size**	Overall Height	Chrome #	Brushed Nickel #
60"	74"	51024	51022
60"	66"	51027	n/a

\* Limited availability; please call before ordering

\*\* Measurements relate to the matching shower base sizes at rough-in stage (pre-finishing)



## Cortez Series Left Hand Door

Single Threshold Hinged Door

The Cortez series has an easy-clean coated glass and is held by INOX stainless steel hardware for improved durability.

### Overall Height

78 ¾" (77 ½" Walk-In height)

### Frame Style

Semi-Frameless

### Finish

Chrome

### Door Panel

8mm tempered safety glass door

### Fixed Panel

8mm tempered safety glass

### Reversible

No

Nominal Base Size**	Finished Span	LH Door #
42"	39 ¾" - 40 ⅛"	51603.S42LH
48"	43 ⅝" - 46 ⅜"	51603.S48LH
60"	57 ¾" - 58 ⅛"	51613.S60LH
66"	63 ¾" - 64 ⅛"	51613.S66LH

\*\* Measurements relate to the matching shower base sizes at rough-in stage (pre-finishing)

## Cortez Series Right Hand Door

Single Threshold Hinged Door

The Cortez series has an easy-clean coated glass and is held by INOX stainless steel hardware for improved durability.

### Overall Height

78  $\frac{3}{4}$ " (77  $\frac{1}{2}$ " Walk-In height)

### Frame Style

Semi-Frameless

### Finish

Chrome

### Door Panel

8mm tempered safety glass door

### Fixed Panel

8mm tempered safety glass

### Reversible

No



Nominal Base Size**	Finished Span	RH Door #
48"	43 $\frac{5}{8}$ " - 46 $\frac{3}{8}$ "	51606.S48RH
60"	57 $\frac{3}{4}$ " - 58 $\frac{1}{8}$ "	51616.S60RH
66"	63 $\frac{3}{4}$ " - 64 $\frac{1}{8}$ "	51616.S66RH

\*\* Measurements relate to the matching shower base sizes at rough-in stage (pre-finishing)

7 | Doors  
Single Threshold



## Ebony Series

Single Threshold Pivot Door

---

The Ebony series has an easy-clean coated glass and is held by INOX stainless steel hardware for improved durability.

### Overall Height

78 ¾"

---

### Frame Style

Framed

---

### Finish

Matte Black

---

### Door Panel

6mm tempered safety glass door

---

### Reversible

Yes

---

---

### Nominal Base Size\*\*

36"

### Finished Span

33 ⅛" - 34 ⅜"

### Matte Black #

51723

---

\*\* Measurements relate to the matching shower base sizes at rough-in stage (pre-finishing)

## Ebony Extended Series

Single Threshold Pivot Door

The Ebony extended series has an easy-clean coated glass and is held by INOX stainless steel hardware for improved durability.

### Overall Height

78  $\frac{3}{4}$ "

### Frame Style

Framed

### Finish

Matte Black

### Door Panel

6mm tempered safety glass door

### Fixed Panel

6mm tempered safety glass

### Reversible

Yes



Nominal Base Size**	Finished Span	Matte Black #
48"	45 $\frac{1}{8}$ " - 46 $\frac{3}{8}$ "	51723.51733
60"	57 $\frac{1}{8}$ " - 58 $\frac{3}{8}$ "	51723.51743

\*\* Measurements relate to the matching shower base sizes at rough-in stage (pre-finishing)



## H02 Series Right Hand Door Only

Single Threshold Hinged Door

The H02 series has an easy-clean coated glass and is held by INOX stainless steel hardware for improved durability.

### Overall Height

74"

### Frame Style

Frameless

### Finish

Chrome

### Door Panel (Right Hand Only)

8mm tempered safety glass door

### Fixed Panel

8mm tempered safety glass

### Reversible

No

### Nominal Base Size\*\*

42"

60"

### Finished Span

39 1/2" - 41 1/2"

57" - 59"

### RH Door #

57001

57005

\*\* Measurements relate to the matching shower base sizes at rough-in stage (pre-finishing)

## Pristina Series

Single Threshold Hinged Door

The Pristina series has an easy-clean coated glass and is held by INOX stainless steel hardware for improved durability.

### Overall Height

78 ¾"

### Frame Style

Frameless

### Finish

Chrome

### Door Panel

8mm tempered safety glass door

### Fixed Panel

8mm tempered safety glass

### Reversible

Yes



Nominal Base Size**	Finished Span	Chrome #
42"	40"±¼"	51803

\*\* Measurements relate to the matching shower base sizes at rough-in stage (pre-finishing)

**7 | Doors**  
**Single Threshold**

## R02 Series

Single Threshold Rolling Door

---

The R02 series is held by INOX stainless steel hardware for improved durability.

**Overall Height**

78 ¾"

---

**Frame Style**

Frameless

---

**Finish**

Chrome

---

**Door Panel**

12mm tempered safety glass door

---

**Reversible**

Yes

---



Nominal Base Size**	Finished Span	Chrome #	Brushed Nickel #
48"	45 ¼" - 46 ⅛"	n/a	51240
60"	57 ¼" - 58 ⅛"	51253	51250

\* Limited availability; please call before ordering.

\*\* Measurements relate to the matching shower base sizes at rough-in stage (pre-finishing)





## Ruxton Series

Single Threshold Pivot Door

The Ruxton series has an easy-clean coated glass and is held by INOX stainless steel hardware for improved durability.

### Overall Height

72 7/8"

### Frame Style

Frameless

### Finish

Chrome, Brushed Nickel, or Matte Black

### Door Panel

6mm tempered safety glass door

### Reversible

Yes

Nominal Base Size**	Chrome #	Brushed Nickel #	Matte Black #
32"	51106	n/a	n/a
34"	51126	n/a	n/a
36"	51146	51147	51144

\* Limited availability of Brushed Nickel finish; please call before ordering.

\*\* Measurements relate to the matching shower base sizes at rough-in stage (pre-finishing)

**7 | Doors**  
**Single Threshold**



**Ruxton Extended Series**

Single Threshold Pivot Door

The Ruxton series has an easy-clean coated glass and is held by INOX stainless steel hardware for improved durability.

**Overall Height**

72 7/8"

**Frame Style**

Frameless

**Finish**

Chrome or Matte Black

**Door Panel**

6mm tempered safety glass door

**Door Opening**

25 7/8"

**Fixed Panel**

6mm tempered safety glass

**Reversible**

Yes

Nominal Base Size**	Finished Span	Chrome #	Matte Black #
42"	39 1/4" - 40 1/2"	51166	51168
48"	45 1/4" - 46 1/2"	51184	n/a

\*\* Measurements are the rough-in shower base sizes



## Abbott Series

Double Threshold Rolling Door

### Overall Height

78 3/4" (74 3/8" Walk-In height)

### Frame Style

Frameless door

### Door Panel

8mm tempered safety glass door

### Fixed Panel

10mm tempered safety glass

### Reversible

Yes

Nominal Base Size**	Nominal Return Size	Chrome #	Brushed Nickel #	Matte Black #
48"	30"	57063.57103	n/a	n/a
	32"	57063.57113	n/a	57064.57114
	34"	57063.57123	n/a	n/a
	36"	57063.57133	n/a	57064.57134
60"	30"	57073.57103	n/a	n/a
	32"	57073.57113	n/a	57074.57114
	34"	57073.57123	n/a	n/a
	36"	57073.57133	n/a	57074.57134
66"	30"	57083.57103	57080.57100	n/a
	32"	57083.57113	57080.57110	n/a
	34"	57083.57123	57080.57120	n/a
	36"	57083.57133	57080.57130	n/a
72"	30"	57093.57103	57090.57100	n/a
	32"	57093.57113	57090.57110	n/a
	34"	57093.57123	57090.57120	n/a
	36"	57093.57133	57090.57130	n/a

\*\* Measurements relate to the matching Acritec shower base sizes at rough-in stage (pre-finished)

**7 | Doors**  
**Double Threshold**

# Cortez Series, Left hand

Double Threshold Hinged Door

**Overall Height**

78 ¾" (77 ½ Walk-In height)

**Frame Style**

Semi-Frameless

**Door Panel**

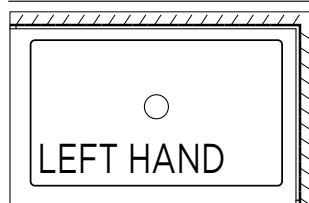
8mm tempered safety glass door

**Fixed Panel**

8mm tempered safety glass

**Reversible**

No



Nominal Base Size**	Nominal Return Size	LH Threshold #
42"	30"	51603.S42LH.51643
	32"	51603.S42LH.51653
	34"	51603.S42LH.51663
	36"	51603.S42LH.51673
48"	30"	51603.S48LH.51643
	32"	51603.S48LH.51653
	34"	51603.S48LH.51663
	36"	51603.S48LH.51673
60"	30"	51613.S60LH.51643
	32"	51613.S60LH.51653
	34"	51613.S60LH.51663
	36"	51613.S60LH.51673
66"	30"	51613.S66LH.51643
	32"	51613.S66LH.51653
	34"	51613.S66LH.51663
	36"	51613.S66LH.51673

\*\* Measurements relate to the matching shower base sizes at rough-in stage (pre-finishing)



## Cortez Series, Right Hand

Double Threshold Hinged Door

### Overall Height

78 ¾" (77 ½ Walk-In height)

### Frame Style

Semi-Frameless

### Door Panel

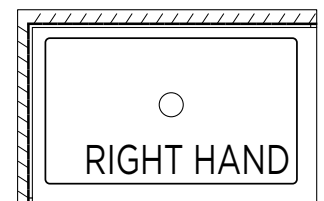
8mm tempered safety glass door

### Fixed Panel

8mm tempered safety glass

### Reversible

No



Nominal Base Size**	Nominal Return Size	RH Threshold #
48"	30"	51606.S48RH.51643
	32"	51606.S48RH.51653
	34"	51606.S48RH.51663
	36"	51606.S48RH.51673
60"	30"	51616.S60RH.51643
	32"	51616.S60RH.51653
	34"	51616.S60RH.51663
	36"	51616.S60RH.51673
66"	30"	51616.S66RH.51643
	32"	51616.S66RH.51653
	34"	51616.S66RH.51663
	36"	51616.S66RH.51673

\*\* Measurements relate to the matching shower base sizes at rough-in stage (pre-finishing)

**7 | Doors**  
**Double Threshold**

## **Ebony Series**

Double Threshold Pivot Door

---

The Ebony series has an easy-clean coated glass and is held by INOX stainless steel hardware for improved durability.

**Overall Height**

78 ¾"

---

**Frame Style**

Framed

---

**Finish**

Matte Black

---

**Door Panel**

6mm tempered safety glass door

---

**Fixed Panel**

6mm tempered safety glass

---

**Reversible**

Yes

---



---

**Nominal Base Size\*\***

36"

**Nominal Return Size**

36"

**Matte Black #**

51723.51773

\*\* Measurements relate to the matching shower base sizes at rough-in stage (pre-finishing)



## Ebony Extended Series

Double Threshold Pivot Door

The Ebony extended series has an easy-clean coated glass and is held by INOX stainless steel hardware for improved durability.

### Overall Height

78 ¾"

### Frame Style

Framed

### Finish

Matte Black

### Door Panel

6mm tempered safety glass door

### Fixed Panel

6mm tempered safety glass

### Reversible

Yes

Nominal Base Size**	Nominal Return Size	Matte Black #
48"	32"	51723.51733.51753
	36	51723.51733.51773
60"	32"	51723.51743.51753
	36"	51723.51743.51773

\*\* Measurements relate to the matching shower base sizes at rough-in stage (pre-finishing)

**7 | Doors**  
**Double Threshold**

## Pristina Series

Double Threshold Hinged Door

---

The Pristina series has an easy-clean coated glass and is held by INOX stainless steel hardware for improved durability.

**Overall Height**

78 ¾"

---

**Frame Style**

Frameless

---

**Finish**

Chrome

---

**Door Panel**

8mm tempered safety glass door

---

**Fixed Panel**

8mm tempered safety glass

---

**Reversible**

Yes

---



**Nominal Base Size\*\***

42"

**Nominal Return Size**

36"

**Chrome #**

51803.51873

\*\* Measurements relate to the matching shower base sizes at rough-in stage (pre-finishing)





## R02 Series

Double Threshold Rolling Door

The R02 series is held by INOX stainless steel hardware for improved durability

### Overall Height

78 ¾"

### Frame Style

Frameless

### Finish

Chrome or Brushed Nickel

### Door Panel

12mm tempered safety glass door

### Fixed Panel

12mm tempered safety glass

### Reversible

Yes

Nominal Base Size**	Nominal Return Size	Chrome #	Brushed Nickel #
48"	30"	n/a	51240.53167
	32"	n/a	51240.53170
	34	n/a	51240.53180
	36	n/a	51240.53190
60"	30"	51253.53166	51250.53167
	32"	51253.53173	51250.53170
	34"	51253.53183	51250.53180
	36"	51253.53193	51250.53190

Note: Fixed panels must be installed directly against the walls. The door panel can't be installed adjacent to a wall

\* Limited availability; please call before ordering

\*\* Measurements relate to the matching shower base sizes at rough-in stage (pre-finished)

**7 | Doors**  
**Double Threshold**



**Ruxton Series**

Double Threshold Pivot Door

The Ruxton series has an easy-clean coated glass and is held by INOX stainless steel hardware for improved durability

**Overall Height**

72 7/8"

**Frame Style**

Frameless



**Finish**

Chrome, Brushed Nickel, Matte Black

**Door Panel**

6mm tempered safety glass door

**Fixed Panel**

6mm tempered safety glass

**Reversible**

Yes

Nominal Base Size **	Chrome #	Brushed Nickel #	Matte Black #
32" x 32"	53016	53017	n/a
34" x 34"	53028	53027	n/a
36" x 36"	53036	n/a	53034
36" x 32" (36" Door)	53046	n/a	n/a

\*\* Measurements relate to the matching shower base sizes at rough-in stage (pre-finishing)

# Gabriola

Corner Belly Base Rolling Door

The Gabriola series has an easy-clean coated glass and is held by INOX stainless steel hardware for improved durability

**Overall Height**

72 7/8"

**Frame Style**

Frameless

**Finish**

Chrome

**Door Panel**

6mm tempered safety glass door

**Fixed Panel**

6mm tempered safety glass

**Reversible**

Yes



Nominal Base Size**	Chrome #
34" x 34"	50005
36" x 36"	50007

\*\* Measurements relate to the matching shower base sizes at rough-in stage (pre-finished)



## Quadra 8R1

Corner Round Front Sliding Door

---

The Quadra series has an easy-clean coated glass and is held by INOX stainless steel hardware for improved durability.

### Overall Height

78"

---

### Frame Style

Semi-Frameless

---

### Finish

Chrome

---

### Door Panel

8mm tempered safety glass door

---

### Reversible

Yes

---

Nominal Base Size**	Chrome #
32" x 32"	50046
36" x 36"	50056
40" x 40"	50076

\*\* Measurements relate to the matching shower base sizes at rough-in stage (pre-finishing)

## Quadra 8R2

Corner Double Sliding Door

The Quadra series has an easy-clean coated glass and is held by INOX stainless steel hardware for improved durability.

### Overall Height

78"

### Frame Style

Semi-Frameless

### Finish

Chrome

### Door Panel

8mm tempered safety glass door

### Reversible

Yes



Nominal Base Size**	Chrome #
32" x 32"	50048
36" x 36"	50058
40" x 40"	50078

\*\* Measurements relate to the matching shower base sizes at rough-in stage (pre-finishing)



## Swayze

Corner Neo-Angle Pivot Door

The Swayze has an easy-clean coated glass and is held by INOX stainless steel hardware for improved durability.

### Overall Height

74"

### Frame Style

Semi-Frameless

### Finish

Chrome

### Door Panel

8mm tempered safety glass door

### Handle & Hinger Finish

Chrome

### Reversible

Yes

Nominal Base Size**	Chrome #	Brushed Nickel # Handle & Hinger Finish : Chrome
36" x 36"	54113	54110
38" X 38"	54123	54120
40" X 40"	54133	54130
42" x 42"	54143	54140
48" x 48"	54153	54150

\*\* Measurements relate to the matching shower base sizes at rough-in stage (pre-finishing)

# Basin Index

## Basins - White unless otherwise indicated

### Counter-Top

36400.....	2	36439.....	6	36646.....	10
36402.....	2	36447.....	6	36647.....	11
36403.....	2	36461.....	6	36647-BLK.....	11
36405.....	2	36490.....	7	36647-GRN.....	11
36407.....	3	36501/04/08.....	7	36647-GRY.....	11
36412.....	3	36511/14.....	7	36648.....	12
36415.....	3	36519.....	7	36649.....	12
36417L.....	3	36552.....	8	36650.....	12
36420.....	4	36560.....	8	36651.....	12
36422.....	4	36563.....	8	36652.....	13
36423.....	4	36642.....	8	36652-BLK.....	13
36424.....	4	36643.....	9	36652-GRN.....	13
36425.....	5	36643-BLK.....	9	36652-GRY.....	13
36427.....	5	36643-GRN.....	9	36653.....	14
36428.....	5	36643-GRY.....	9	36654.....	14
36430.....	5	36644.....	10		
36432.....	6	36645.....	10		

### Drop-In

36771.....	15	36811/14/18.....	15	36861/64/68.....	15
------------	----	------------------	----	------------------	----

### Undermount

36905.....	16	36955.....	17	36990.....	18
36925.....	16	36960.....	17	04000.....	18
36940.....	16	36970C.....	17		
36950.....	17	36977.....	18		
		36981C.....	18		

### Pure Basin

Single Offset Bowl.....	19	Semi Recessed.....	21
Double Bowl.....	20	Single Bowl.....	21

8 | Basins  
Counter-Top



## 36400

**Dimensions**

24  $\frac{3}{4}$ " x 15  $\frac{3}{4}$ " x 7"

**Back**

Finished

**Overflow**

Yes

**Faucet Hole**

None

**Profile**

Standard



## 36402

**Dimensions**

16" x 16" x 5"

**Back**

Finished

**Overflow**

No

**Faucet Hole**

None

**Profile**

Ultra Thin



## 36403

**Dimensions**

16  $\frac{7}{8}$ " x 16  $\frac{7}{8}$ " x 5  $\frac{7}{8}$ "

**Back**

Finished

**Overflow**

No

**Faucet Hole**

None

**Profile**

Standard



## 36405

**Dimensions**

22" x 19  $\frac{3}{4}$ " x 5  $\frac{1}{4}$ "

**Back**

Finished

**Overflow**

Yes

**Faucet Hole**

None

**Profile**

Standard



### 36407

**Dimensions**

23" x 17" x 3"

**Overflow**

Yes

**Profile**

Standard

**Back**

Unfinished

**Faucet Hole**

Single



### 36412

**Dimensions**

23 1/2" x 19" x 7 3/4"

**Overflow**

Yes

**Profile**

Standard

**Back**

Unfinished

**Faucet Hole**

Single



### 36415

**Dimensions**

16" x 16" x 5 1/8"

**Overflow**

No

**Profile**

Standard

**Back**

Finished

**Faucet Hole**

None



### 36417L

**Dimensions**

23 7/8" x 15 3/4" x 7 1/8"

**Overflow**

Yes

**Profile**

Standard

**Back**

Finished

**Faucet Hole**

None



8 | Basins  
Counter-Top



## 36420

**Dimensions**

15  $\frac{3}{4}$ " x 15  $\frac{3}{4}$ " x 4  $\frac{1}{2}$ "

**Back**

Finished

**Overflow**

No

**Faucet Hole**

None

**Profile**

Standard



## 36422

**Dimensions**

16  $\frac{1}{2}$ " x 16  $\frac{1}{2}$ " x 5"

**Back**

Unfinished

**Overflow**

Yes

**Faucet Hole**

Single

**Profile**

Ultra Thin



## 36423

**Dimensions**

19  $\frac{5}{8}$ " x 16  $\frac{1}{2}$ " x 5"

**Back**

Unfinished

**Overflow**

Yes

**Faucet Hole**

Single

**Profile**

Ultra-Thin



## 36424

**Dimensions**

23  $\frac{1}{2}$ " x 17" x 5"

**Back**

Unfinished

**Overflow**

Yes

**Faucet Hole**

Single

**Profile**

Ultra-Thin

### 36425

**Dimensions**  
23 1/4" x 16 1/4" x 4"

**Overflow**  
No

**Profile**  
Standard

**Back**  
Finished

**Faucet Hole**  
None



### 36427

**Dimensions**  
17 3/4" x 17 3/4" x 4 3/4"

**Overflow**  
No

**Profile**  
Standard

**Back**  
Finished

**Faucet Hole**  
None



### 36428

**Dimensions**  
16 1/8" x 16 1/8" x 5 1/2"

**Overflow**  
No

**Profile**  
Standard

**Back**  
Finished

**Faucet Hole**  
None



### 36430

**Dimensions**  
24 3/4" x 15 3/4" x 5 1/4"

**Overflow**  
No

**Profile**  
Standard

**Back**  
Finished

**Faucet Hole**  
None



8 | Basins  
Counter-Top



## 36432

**Dimensions**

15  $\frac{3}{4}$ " x 15  $\frac{3}{4}$ " x 6  $\frac{1}{4}$ "

**Back**

Finished

**Overflow**

No

**Faucet Hole**

None

**Profile**

Standard



## 36439

**Dimensions**

23  $\frac{1}{2}$ " x 18  $\frac{1}{2}$ " x 5  $\frac{1}{4}$ "

**Back**

Unfinished

**Overflow**

Yes

**Faucet Hole**

Single

**Profile**

Standard



## 36447

**Dimensions**

19  $\frac{3}{4}$ " x 14  $\frac{1}{4}$ " x 6"

**Back**

Unfinished

**Overflow**

Yes

**Faucet Hole**

None

**Profile**

Standard



## 36461

**Dimensions**

19  $\frac{1}{2}$ " x 19  $\frac{1}{2}$ " x 5  $\frac{1}{2}$ "

**Back**

Unfinished

**Overflow**

Yes

**Faucet Hole**

Single

**Profile**

Standard

### 36490

**Dimensions**

19" x 19" x 7 1/2"

**Overflow**

Yes

**Profile**

Standard

**Back**

Finished

**Faucet Hole**

None



### 36501-1H 36504-4"cc 36508-8"cc

**Dimensions**

18" x 18" x 6 1/4"

**Overflow**

Yes

**Profile**

Standard

**Back**

Unfinished

**Faucet Hole**

Multiple Options



### 36511-1H 36514-4"cc

**Dimensions**

18 1/2" x 18 1/2" x 6"

**Overflow**

Yes

**Profile**

Standard

**Back**

Unfinished

**Faucet Hole**

Multiple Options



### 36519

**Dimensions**

28 3/4" x 19 3/4" x 6 1/4"

**Overflow**

Yes

**Profile**

Standard

**Back**

Unfinished

**Faucet Hole**

None



8 | Basins  
Counter-Top



## 36552

**Dimensions**

18 ¼" x 18 ¼" x 6 ¼"

**Back**

Unfinished

**Overflow**

Yes

**Faucet Hole**

Single

**Profile**

Standard



## 36560

**Dimensions**

22 ¾" x 14 ¾" x 6 ¼"

**Back**

Finished

**Overflow**

No

**Faucet Hole**

None

**Profile**

Standard



## 36563

**Dimensions**

23 ¾" x 16 ¼" x 4"

**Back**

Finished

**Overflow**

No

**Faucet Hole**

None

**Profile**

Standard



## 36642

**Dimensions**

23 ½" x 15 ½" x 5 ¾"

**Back**

Finished

**Overflow**

No

**Faucet Hole**

None

**Profile**

Ultra Thin

## 36643

### Dimensions

19" x 15 1/2" x 5 1/2"

### Overflow

No

### Profile

Ultra Thin

### Back

Finished

### Faucet Hole

None

### Finish

Gloss



## 36643-BLK

### Dimensions

19" x 15 1/2" x 5 1/2"

### Overflow

No

### Colour

Black

### Back

Finished

### Faucet Hole

None

### Finish

Matte



## 36643-GRN

### Dimensions

19" x 15 1/2" x 5 1/2"

### Overflow

No

### Colour

Green

### Back

Finished

### Faucet Hole

None

### Finish

Matte



## 36643-GRY

### Dimensions

19" x 15 1/2" x 5 1/2"

### Overflow

No

### Colour

Grey

### Back

Finished

### Faucet Hole

None

### Finish

Matte



8 | Basins  
Counter-Top



## 36644

**Dimensions**

14  $\frac{5}{8}$ " x 14  $\frac{5}{8}$ " x 4  $\frac{1}{2}$ "

---

**Back**

Finished

---

**Overflow**

No

---

**Faucet Hole**

None

---

**Profile**

Ultra Thin

---



## 36645

**Dimensions**

24" x 16" x 4  $\frac{1}{2}$ "

---

**Back**

Finished

---

**Overflow**

No

---

**Faucet Hole**

None

---

**Profile**

Ultra Thin

---



## 36646

**Dimensions**

19  $\frac{5}{8}$ " x 15  $\frac{3}{4}$ " x 4  $\frac{3}{8}$ "

---

**Back**

Finished

---

**Overflow**

No

---

**Faucet Hole**

None

---

**Profile**

Ultra Thin

---



## 36647

**Dimensions**

14 ¼" x 14 ¼" x 4 ¼"

---

**Overflow**

No

---

**Profile**

Ultra Thin

---

**Back**

Finished

---

**Faucet Hole**

None

---

**Finish**

Gloss

---



## 36647-BLK

**Dimensions**

14 ¼" x 14 ¼" x 4 ¼"

---

**Overflow**

No

---

**Colour**

Black

---

**Back**

Finished

---

**Faucet Hole**

None

---

**Finish**

Matte

---



## 36647-GRN

**Dimensions**

14 ¼" x 14 ¼" x 4 ¼"

---

**Overflow**

No

---

**Colour**

Green

---

**Back**

Finished

---

**Faucet Hole**

None

---

**Finish**

Matte

---



## 36647-GRY

**Dimensions**

14 ¼" x 14 ¼" x 4 ¼"

---

**Overflow**

No

---

**Colour**

Green

---

**Back**

Finished

---

**Faucet Hole**

None

---

**Finish**

Matte

---



8 | Basins  
Counter-Top



## 36648

**Dimensions**

18 ½" x 14 ⅞" x 4 ⅜"

**Back**

Finished

**Overflow**

No

**Faucet Hole**

None

**Profile**

Ultra Thin



## 36650

**Dimensions**

18 ¼" x 18 ¼" x 3 ½"

**Back**

Finished

**Overflow**

No

**Faucet Hole**

Single

**Profile**

Ultra Thin



## 36651

**Dimensions**

19 ⅞" x 15 ⅞" x 4 ¾"

**Back**

Finished

**Overflow**

No

**Faucet Hole**

Single

**Profile**

Ultra Thin

### 36652

**Dimensions**

14" x 14" x 4 1/2"

---

**Overflow**

No

---

**Profile**

Ultra Thin

---

**Back**

Finished

---

**Faucet Hole**

None

---

**Finish**

Gloss

---



### 36652-BLK

**Dimensions**

14" x 14" x 4 1/2"

---

**Overflow**

No

---

**Profile**

Ultra Thin

---

**Back**

Finished

---

**Faucet Hole**

None

---

**Finish**

Matte

---



### 36652-GRN

**Dimensions**

14" x 14" x 4 1/2"

---

**Overflow**

No

---

**Profile**

Ultra Thin

---

**Back**

Finished

---

**Faucet Hole**

None

---

**Finish**

Matte

---



### 36652-GRY

**Dimensions**

14" x 14" x 4 1/2"

---

**Overflow**

No

---

**Profile**

Ultra Thin

---

**Back**

Finished

---

**Faucet Hole**

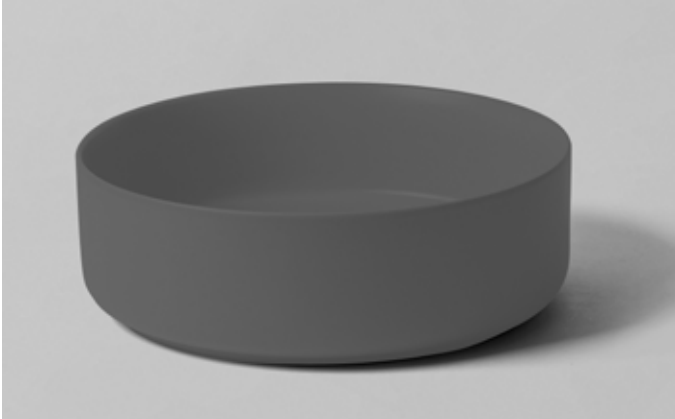
None

---

**Finish**

Matte

---



8 | Basins  
Counter-Top



### 36653

**Dimensions**

17 <sup>3</sup>/<sub>4</sub>" x 17 <sup>3</sup>/<sub>4</sub>" x 4 <sup>1</sup>/<sub>8</sub>"

---

**Overflow**

No

---

**Profile**

Ultra Thin

---

**Back**

Finished

---

**Faucet Hole**

Single

---



### 36654

**Dimensions**

17 <sup>3</sup>/<sub>8</sub>" x 17 <sup>3</sup>/<sub>8</sub>" x 5 <sup>1</sup>/<sub>2</sub>"

---

**Overflow**

No

---

**Profile**

Ultra Thin

---

**Back**

Finished

---

**Faucet Hole**

None

---

## 36771

### Dimensions

16  $\frac{3}{8}$ " x 16  $\frac{3}{8}$ " x 7"

---

### Overflow

Yes

---

### Faucet Hole

Single

---



## 36811-1H 36814-4"cc 36818-8"cc

### Dimensions

16  $\frac{3}{8}$ " x 16  $\frac{3}{8}$ " x 7"

---

### Overflow

Yes

---

### Faucet Hole

Multiple Options

---



## 36861-1H 36864-4"cc 36868-8"cc

### Dimensions

21" x 17  $\frac{7}{8}$ " x 7  $\frac{3}{8}$ "

---

### Overflow

Yes

---

### Faucet Hole

Multiple Options

---



**8 | Basins  
Undermount**



**36905**

**Dimensions**

17 3/4" x 15" x 7 1/4"

**Shape**

Oval

**Overflow**

Yes

**Profile**

Curved



**36925**

**Dimensions**

21 7/8" x 17 3/8" x 7 3/4"

**Shape**

Oval

**Overflow**

Yes

**Profile**

Curved



**36940**

**Dimensions**

17 1/8" x 17 1/8" x 7 1/2"

**Shape**

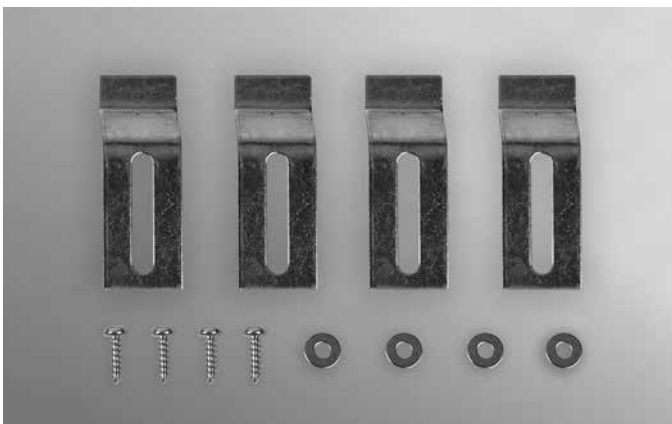
Square

**Overflow**

Yes

**Profile**

Curved (Scooped Front)



**04000**

**Description**

Undermount Installation Kit

## 36950

**Dimensions**

20 <sup>5</sup>/<sub>8</sub>" x 14 <sup>5</sup>/<sub>8</sub>" x 8"

---

**Overflow**

Yes

---

**Shape**

Rectilinear

---

**Profile**

Curved

---



## 36955

**Dimensions**

22" x 15" x 7"

---

**Overflow**

Yes

---

**Shape**

Rectilinear

---

**Profile**

Curved

---



## 36960

**Dimensions**

19" x 16 <sup>1</sup>/<sub>4</sub>" x 6 <sup>3</sup>/<sub>4</sub>"

---

**Overflow**

Yes

---

**Shape**

Oval

---

**Profile**

Curved

---



## 36970C

**Dimensions**

19 <sup>7</sup>/<sub>8</sub>" x 15 <sup>3</sup>/<sub>4</sub>" x 7"

---

**Overflow**

Yes

---

**Shape**

Rectilinear

---

**Profile**

Angular

---



**8 | Basins  
Undermount**



**36977**

**Dimensions**

18" x 14" x 7 1/8"

**Shape**

Rectilinear

**Overflow**

Yes

**Profile**

Angular



**36981C**

**Dimensions**

16" x 16" x 7"

**Shape**

Rectilinear

**Overflow**

Yes

**Profile**

Angular



**36990**

**Dimensions**

16 1/4" x 16 1/4" x 6 3/4"

**Shape**

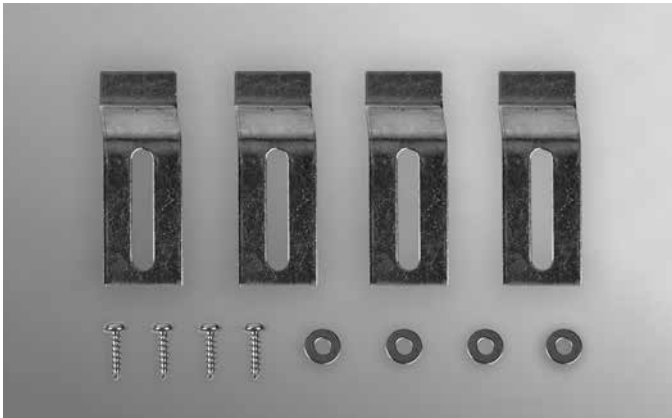
Square

**Overflow**

Yes

**Profile**

Angular

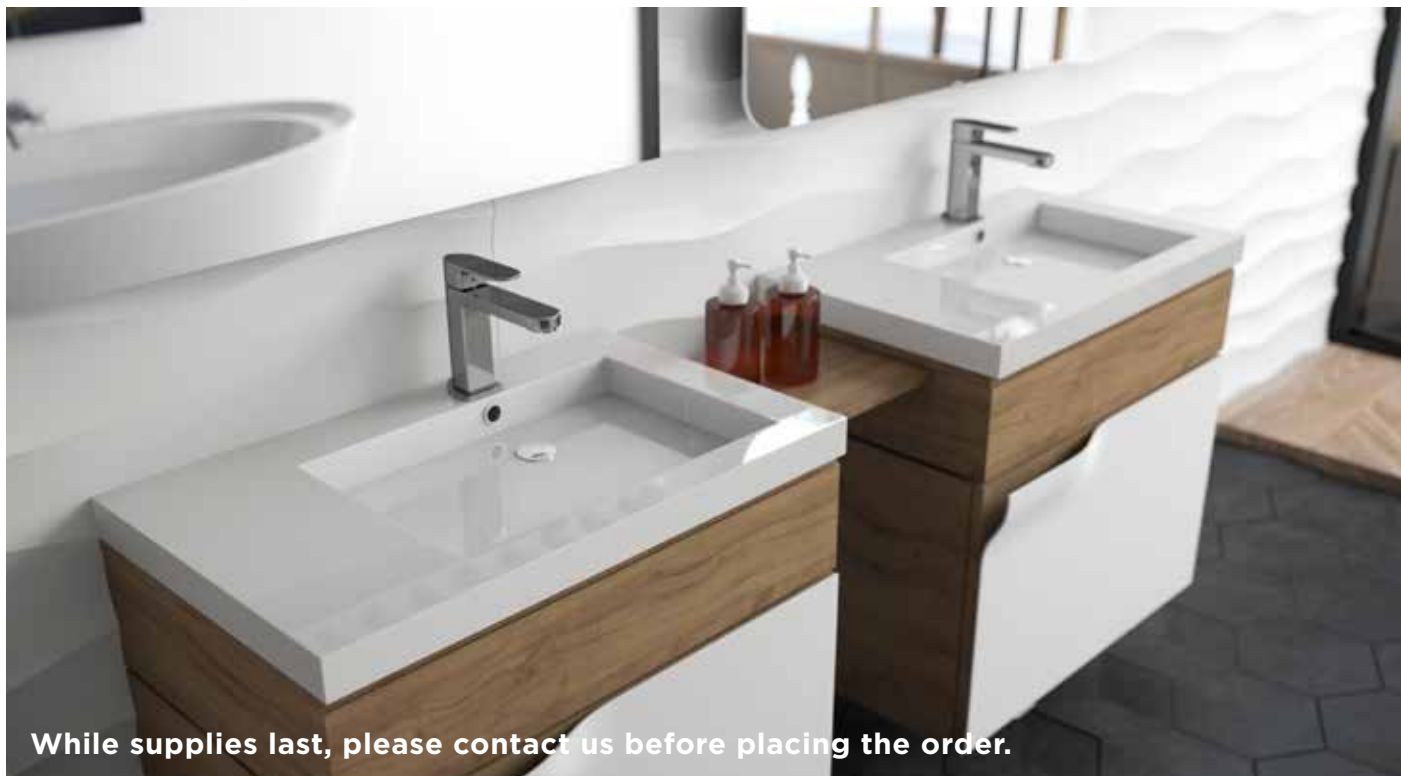


**04000**

**Description**

Undermount Installation Kit





While supplies last, please contact us before placing the order.

## Single Offset Bowl - Must add drilling for faucet

Model	Dimensions	Profile Height	LH Drain #	RH Drain #
RA-3020	29 1/8" x 19 1/2"	3 5/8"	30021	30031
RA-3020LP	29 1/8" x 19 1/2"	1 5/8"	30022	30032
RA-3620	35 1/8" x 19 1/2"	3 5/8"	30061	30071
RA-3620LP	35 1/8" x 19 1/2"	1 5/8"	30062	30072
RA-4720	47" x 19 3/8"	4"	30101	30111
RA-4720LP	47" x 19 3/8"	1 5/8"	30102	30112

Example: 30021.01 = RA-3020 LH Basin with a single faucet hole.

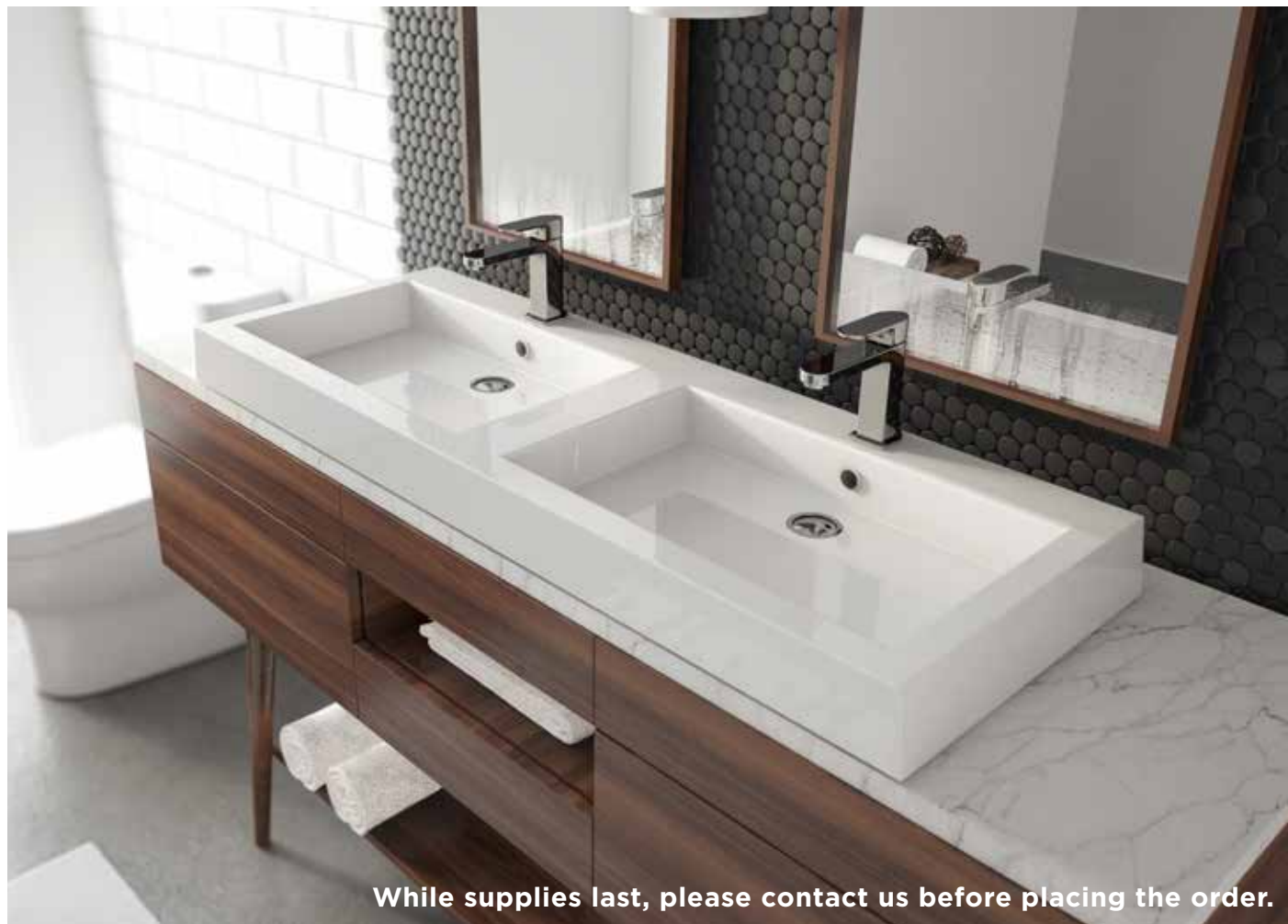
## Pure Basins Options

- Available with finished backs upon request
- Available in a variety of profile heights
- Custom heights may be available upon request
- Include drilling instructions when ordering

### Pre-Drilled Faucet Holes

Single Hole Centered	Add ("-01" to part number)
3 Holes @ 4"	Add ("-04" to part number)
3 Holes @ 8"	Add ("-08" to part number)

**8 | Basins**  
**Pure Basin**



**While supplies last, please contact us before placing the order.**

**Double Bowl - Must add drilling for faucet**

Model	Dimensions	Profile Height	Part #
RA-5520	54 ¾" x 19 ½"	4"	30121
RA-5520LP	54 ¾" x 19 ½"	1 ⅝"	30122

Example: 30021.01 = RA-3020 LH Basin with a single faucet hole.

**Pure Basins Options**

- Available with finished backs upon request
- Available in a variety of profile heights
- Custom heights may be available upon request
- Include drilling instructions when ordering

**Pre-Drilled Faucet Holes**

Single Hole Centered	Add ("-01" to part number)
3 Holes @ 4"	Add ("-04" to part number)
3 Holes @ 8"	Add ("-08" to part number)

## Pure Basins Options

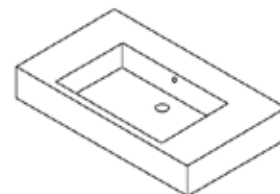
- Available with finished backs upon request
- Available in a variety of profile heights
- Custom heights may be available upon request
- Include drilling instructions when ordering

### Pre-Drilled Faucet Holes

Single Hole Centered	Add ("-01" to part number)
3 Holes @ 4"	Add ("-04" to part number)
3 Holes @ 8"	Add ("-08" to part number)

## Semi Recessed, Single Bowl, Centered

Model	Dimensions	Part #
RM-2120C	20 1/8" x 19 1/2" x 6 1/8"	30141



Example: 30141.01 = RM-2120C Basin with a single faucet hole.

**While supplies last, please contact us before placing the order.**

## Single Bowl

Model	Dimensions	Profile Height	Part #
RM-1818C	18 1/8" x 18"	5"	30131
RA-2018C	19 3/4" x 18"	3 5/8"	30010
RA-2200C	21 1/2" x 19 5/8"	3 5/8"	30011
RA-2200CLP	21 1/2" x 19 5/8"	1 5/8"	30012
RM-2418CLP	23 3/8" x 17 5/8"	1 5/8"	30152
RM-2422C	24 3/8" x 22 1/4"	3 5/8"	30014
RM-2422CLP	24 3/8" x 22 1/4"	1 5/8"	30013
RM-2722C	27 1/4" x 22 1/8"	3 5/8"	30015
RM-2722CLP	27 1/4" x 22 1/8"	1 5/8"	30016
RM-3022C	30 1/2" x 22 1/8"	3 5/8"	30045
RM-3022CLP	30 1/2" x 22 1/8"	1 5/8"	30046
RM-3622C	36 3/8" x 22 1/4"	3 5/8"	30085
RM-3622CLP	36 3/8" x 22 1/4"	1 5/8"	30086

Example: 30021.01 = RA-3020 LH Basin with a single faucet hole.



# Sink Index

---

## Notes

Installation clamps included for all stainless steel sinks

## Kitchen

---

### Drop-In

Classical Bar.....2	24024 .....4	25130.....5
Dynasty.....2	24030 .....4	25140 .....5
Gourmet.....3	25030 .....4	25150.....6
Prestige.....3	25031 .....4	25160.....6
24001.....4	25090 .....5	25170.....6
24020 .....4	25100 .....5	

### Undermount

21001 .....7	21110.....10	21251 .....13
21005 .....7	21120.....10	21255 .....13
21015.....7	21130.....10	21265 .....13
21021.....7	21140 .....10	21270 .....13
21030 .....8	21150.....11	21275 .....14
21050 .....8	21155 .....11	25155 .....14
21051.....8	21165 .....11	25156 .....14
21070.....8	21170 .....11	
21080 .....9	21175 .....12	
21081.....9	21201.....12	
21090 .....9	21230.....12	
21101.....9	21250.....12	

## Utility

---

### Acrylic & Stainless Steel

Classic Laundry.....15	Europa Deluxe.....16
Deluxe Laundry.....15	25035.....16
Europa Laundry .....15	25050 .....16

## Kitchen Sinks

Acrylic & Stainless Steel

- Faucets not included, Please order separately
- Include faucet drilling instructions when ordering

Item	Part #
Strainer	04011

### Pre-Drilled Faucet Holes

Single Hole Centered      Add ("-01" to part number)

3 Holes @ 4"      Add ("-04" to part number)

3 Holes @ 8"      Add ("-08" to part number)



## Classic Bar

Kitchen | Drop-In

### Part #

12021

### Dimensions

15 1/4" x 15 1/4" x 5 5/8"

### Bowl

Single

### Faucet Hole

None

### Strainer Included

Yes



## Dynasty

Kitchen | Drop-In

### Part #

19041

### Dimensions

32" x 21" x 8"

### Bowl

Double

### Faucet Hole

None

### Strainer Included

Yes

## Gourmet

Kitchen | Drop-In

---

**Part #**

19051

---

**Dimensions**

32" x 21" x 8 1/2"

---

**Faucet Hole**

None

---

**Bowl**

Double

---

**Strainer Included**

Yes



## Prestige

Kitchen | Drop-In

---

**Part #**

19011

---

**Dimensions**

32" x 21" x 6 3/4" - 8 3/8"

---

**Faucet Hole**

None

---

**Bowl**

Double

---

**Strainer Included**

Yes



9 | Sinks  
Kitchen | Drop-In



## 24001

Kitchen | Drop-In

### Dimensions

17 1/8" x 17 1/8" x 7"

### Gauge

20

### Faucet

None



## 24020-1H

## 24024-4"cc

Kitchen | Drop-In

### Dimensions

15" x 15" x 5 1/2"

### Gauge

24

### Faucet

Single



## 24030

Kitchen | Drop-In

### Dimensions

15" x 15" x 8"

### Gauge

18

### Faucet

Single



## 25030-1H

## 25031-8"cc

Kitchen | Drop-In

### Dimensions

20" x 20 1/2" x 7"

### Gauge

20

### Faucet

Single



## 25090

Kitchen | Drop-In

---

### Dimensions

31 1/4" x 20 3/8" x 7"

---

### Gauge

18

---

### Faucet

Single

---



## 25100

Kitchen | Drop-In

---

### Dimensions

31 1/4" x 20 3/8" x 8"

---

### Gauge

18

---

### Faucet

3 Hole - 8" cc

---



## 25130

Kitchen | Drop-In

---

### Dimensions

31" x 20" x 10"

---

### Gauge

18

---

### Faucet

Single

---



## 25140

Kitchen | Drop-In

---

### Dimensions

31" x 20" x 10"

---

### Gauge

18

---

### Faucet

Single

---



9 | Sinks  
Kitchen | Drop-In & Package



## 25150

Kitchen | Drop-In

---

**Dimensions**

31 1/2" x 19 1/2" x 10 1/4"

---

**Gauge**

18

---

**Faucet**

Single

---



## 25160

Kitchen | Drop-in

---

**Dimensions**

38" x 19 5/8" x 10 1/4"

---

**Gauge**

18

---

**Faucet**

Single

---



## 25170

Kitchen | Package

---

**Dimensions**

31 1/2" x 19 1/2" x 10 1/4"

---

**Gauge**

18

---

**Faucet**

Single

---

## 21001

Kitchen | Undermount

---

### Dimensions

14 ½" x 13" x 7"

---

### Gauge

18

---

### Corner Radius

Large

---



## 21005

Kitchen | Undermount

---

### Dimensions

29" x 18" x 10"

---

### Gauge

18

---

### Corner Radius

Small

---



## 21015

Kitchen | Undermount

---

### Dimensions

19" x 20" x 10"

---

### Gauge

16

---

### Corner Radius

Small

---



## 21021

Kitchen | Undermount

---

### Dimensions

23" x 17 ¾" x 9"

---

### Gauge

18

---

### Corner Radius

Large

---



9 | Sinks  
Kitchen | Undermount



**21030**

Kitchen | Undermount

**Dimensions**

30" x 18" x 10"

**Gauge**

18

**Corner Radius**

Small



**21050**

Kitchen | Undermount

**Dimensions**

29 1/2" x 17 3/8" x 8 5/8"

**Gauge**

18

**Corner Radius**

Zero



**21051**

Kitchen | Undermount

**Dimensions**

32" x 19" x 10"

**Gauge**

18

**Corner Radius**

Zero



**21070**

Kitchen | Undermount

**Dimensions**

33 5/8" x 18" x 9" & 7"

**Gauge**

16

**Corner Radius**

Small

## 21080

Kitchen | Undermount

### Dimensions

19 ¼" x 19 ¼" x 7 ¾"

### Gauge

16

### Corner Radius

Zero



## 21081

Kitchen | Undermount

### Dimensions

19" x 20" x 10"

### Gauge

18

### Corner Radius

Zero



## 21090

Kitchen | Undermount

### Dimensions

30" x 18" x 10"

### Gauge

16

### Corner Radius

Zero



## 21101

Kitchen | Undermount

### Dimensions

23 ¼" x 20 7/8" x 9"

### Gauge

18

### Corner Radius

Large



9 | Sinks  
Kitchen | Undermount



## 21110

Kitchen | Undermount

### Dimensions

15 5/8" x 17 1/2" x 8 1/2"

### Gauge

18

### Corner Radius

Zero



## 21120

Kitchen | Undermount

### Dimensions

32" x 20" x 9" & 7 1/2"

### Gauge

16

### Corner Radius

Large



## 21130

Kitchen | Undermount

### Dimensions

34 1/4" x 19 1/4" x 8"

### Gauge

16

### Corner Radius

Zero



## 21140

Kitchen | Undermount

### Dimensions

29 1/2" x 19 1/4" x 8"

### Gauge

18

### Corner Radius

Zero

## 21150

Kitchen | Undermount

---

### Dimensions

31 ¼" x 18 ½" x 10"

---

### Gauge

18

---

### Corner Radius

Zero

---



## 21155

Kitchen | Undermount

---

### Dimensions

32" x 18" x 10"

---

### Gauge

16

---

### Corner Radius

Zero

---



## 21165

Kitchen | Undermount

---

### Dimensions

23" x 18" x 9"

---

### Gauge

18

---

### Corner Radius

Small

---



## 21170

Kitchen | Undermount

---

### Dimensions

31 ⅝" x 20 ⅝" x 9" & 8"

---

### Gauge

16

---

### Faucet

None

---



9 | Sinks  
Kitchen | Undermount



**21175**

Kitchen | Undermount

**Dimensions**

31 ¼" x 20 ½" x 10" & 8"

**Gauge**

16

**Corner Radius**

Small



**21201**

Kitchen | Undermount

**Dimensions**

31 ⅜" x 18" x 8"

**Gauge**

18

**Faucet**

None



**21230**

Kitchen | Undermount

**Dimensions**

20 ¾" x 17 ¾" x 9"

**Gauge**

18

**Corner Radius**

Large



**21250**

Kitchen | Undermount

**Dimensions**

32" x 19" x 10"

**Gauge**

18

**Corner Radius**

Zero



## 21251

Kitchen | Undermount

---

### Dimensions

32" x 19" x 10"

---

### Gauge

18

---

### Corner Radius

Small

---



## 21255

Kitchen | Undermount

---

### Dimensions

27" x 18" x 8 5/8"

---

### Gauge

18

---

### Corner Radius

Small

---



## 21265

Kitchen | Undermount

---

### Dimensions

27" x 18" x 8 5/8"

---

### Gauge

18

---

### Corner Radius

Small

---



## 21270

Kitchen | Undermount

---

### Dimensions

19 1/4" x 17 3/8" x 7 3/4"

---

### Gauge

18

---

### Corner Radius

Small

---



9 | Sinks  
Kitchen | Undermount



## 21275

Kitchen | Undermount

---

**Dimensions**

19 1/4" x 17 3/8" x 7 3/4"

---

**Gauge**

18

---

**Corner Radius**

Small

---



## 25155

Kitchen | Undermount

---

**Dimensions**

29" x 18" x 10"

---

**Gauge**

18

---

**Corner Radius**

Zero

---



## 25156

Kitchen | Undermount

---

**Dimensions**

29" x 18" x 10"

---

**Gauge**

18

---

**Corner Radius**

Small

---

## Utility Sinks

Acrylic & Stainless Steel

- Faucets not included, Please order separately
- Include faucet drilling instructions when ordering

Item	Part #
Strainer (Stainles Steel Only)	04011



### Pre-Drilled Faucet Holes

Single Hole Centered	Add ("-01" to part number)
3 Holes @ 4"	Add ("-04" to part number)
3 Holes @ 8"	Add ("-08" to part number)

## Classic Laundry

Utility | Acrylic

<b>Part #</b> 11011	<b>Description</b> Classic Laundry
<b>Dimensions</b> 20 3/4" x 21 3/4" x 10"	<b>Faucet</b> Large
	<b>Strainer Included</b> No

## Deluxe Laundry

Utility | Acrylic

<b>Part #</b> 11021	<b>Description</b> Deluxe Laundry
<b>Dimensions</b> 27" x 22" 14 1/4"	<b>Corner Radius</b> Large
	<b>Strainer Included</b> No

## Europa Laundry

Utility | Acrylic

<b>Part #</b> 11031	<b>Description</b> Europa
<b>Dimensions</b> 23 3/4" x 20 7/8" x 12"	<b>Corner Radius</b> Large
	<b>Strainer Included</b> No

9 | Sinks  
Utility | Acrylic & Stainless Steel



## Europa Deluxe

Utility | Acrylic

**Part #**

11041

**Description**

Europa Deluxe

**Dimensions**

32" x 21" x 11 3/4"

**Corner Radius**

Small

**Strainer Included**

No



## 25035

Utility | Stainless Steel

**Dimensions**

20" x 20" x 10"

**Gauge**

18

**Corner Radius**

Zero



## 25050

Utility | Stainless Steel

**Dimensions**

20" x 20" x 10"

**Gauge**

18

**Corner Radius**

Small

# Faucet Index

---

## Faucets

---

### Freestanding Bathtub

Arc .....	2	Moderno .....	4
Brixton.....	2	Monarch.....	5
Ernst.....	3	Quadratto.....	4
Imara .....	3		

### Wall & Deck Mount Bathtub

Monarch.....	6-7
--------------	-----

### Kitchen

Anthony .....	7
Michael .....	8
Pierre.....	8

10 | Faucets  
Freestanding



## Arc

Single Lever Free-Standing Faucet

---

**Part #**

83031

---

**Features**

- Ceramic disc single lever cartridge
- Solid brass construction
- Triple-plated chrome finish.
- Triple-seal water supply system

**Technical Specifications**

- 6 gal / minute spout flow rate @ 65 psi
- Minimum operating temp.: 0 °C
- Maximum operating temp.: 90 °C



## Brixton

Single Lever Free-Standing Faucet

---

**Part #**

83096

---

**Features**

- Ceramic disc single lever cartridge
- Solid brass construction
- Triple-plated chrome finish.
- Triple-seal water supply system

**Technical Specifications**

- 6.5 gal / minute spout flow rate @ 58 psi
- Minimum operating temp.: 4 °C
- Maximum operating temp.: 90 °C

## Ernst

Single Lever Free-Standing Faucet

---

### Part #

83091

---

### Features

- Ceramic disc single lever cartridge
- Solid brass construction
- Triple-plated chrome finish.
- Triple-seal water supply system

### Technical Specifications

- 5.7 gal / minute spout flow rate @ 58 psi
- Minimum operating temp.: 0 °C
- Maximum operating temp.: 90 °C



## Imara

Single Lever Handle Free-Standing Faucet

---

### Part #

83061

---

### Features

- Ceramic disc single lever cartridge
- Solid brass construction
- Triple-plated chrome finish.
- Triple-seal water supply system

### Technical Specifications

- 5.5 gal / minute spout flow rate @ 65 psi
- Minimum operating temp.: 0 °C
- Maximum operating temp.: 90 °C





## Moderno

Dual Lever or Cross Handle Free-Standing Faucet

---

Product	Part #
Chrome w/ Cross Handles	83021
Chrome w/ Lever Handles	83011

### Features

- Two ¼ turn ceramic cartridges
- Solid brass construction
- Triple-plated chrome finish
- Triple-seal water supply system

### Technical Specifications

- 5 gal / minute spout flow rate @ 65 psi
- Minimum operating temp.: 0 °C
- Maximum operating temp.: 90 °C



## Quadratto

Single Lever Free-Standing Faucet

---

**Part #**  
83041

---

### Features

- Ceramic disc single lever cartridge
- Solid brass construction
- Triple-plated chrome finish.
- Triple-seal water supply system

### Technical Specifications

- 5.6 gal / minute spout flow rate @ 65 psi
- Minimum operating temp.: 0 °C
- Maximum operating temp.: 90 °C



## Monarch

Dual Lever or Cross Handle Free-Standing Faucet

Product	Part #
<b>Chrome</b>	
- Cross Handles	83071
- Lever Handles	83051



## Monarch With Stops

Dual Lever or Cross Handle Free-Standing Faucet

Product	Part #
<b>Chrome</b>	
- Cross Handles & Stops	81031
- Lever Handles & Stops	81041
<b>Brushed Nickel</b>	
- Cross Handles & Stops	81072
- Lever Handles & Stops	81082





## Monarch Deck Mount

Dual Lever or Cross Handle Faucet

Product	Part #
Chrome w/ Cross Handles	82011
Chrome w/ Lever Handles	82021

### Features

- Two ¼ turn ceramic cartridges
- Solid brass construction
- Triple-plated chrome finish
- Triple-seal water supply system
- Comes with adjustable pillars

### Technical Specifications

- 5 gal / minute spout flow rate @ 65 psi
- Minimum operating temp.: 0 °C
- Maximum operating temp.: 90 °C
- Minimum operating pressure: 7 psi
- Maximum operating pressure: 145 psi

## Monarch Risers

With Cross handle Shut-off Valves

Product	Part #
Chrome w/ Cross Handles	80125
Brushed Nickel w/ Cross Handles	80126

### Features

- Solid brass construction
- Triple-plated chrome finish
- ¾" M x ¾" M with shut-off valve
- 31 ½" Tall

## Monarch Wall Mount

Dual Lever or Cross Handle Faucet

Product	Part #
Chrome w/ Cross Handles	80022
Chrome w/ Lever Handles	80023

### Features

- Two ¼ turn ceramic cartridges
- Solid brass construction
- Triple-plated chrome finish
- Triple-seal water supply system

### Technical Specifications

- 5 gal / minute spout flow rate @ 65 psi
- Minimum operating temp.: 0 °C
- Maximum operating temp.: 90 °C



## Anthony

Single Lever Faucet

### Part #

86002

### Features

- Single lever handle
- Ceramic disc single lever cartridge
- Solid brass construction
- Triple-plated chrome finish.
- Triple-seal water supply system





## Pierre

Single Lever Faucet

---

**Part #**

86001

---

**Features**

- Single lever handle
- Ceramic disc single lever cartridge
- Solid brass construction
- Triple-plated chrome finish.
- Triple-seal water supply system



## Michael

Single Lever Faucet

---

**Part #**

86003

---

**Features**

- Ceramic disc single lever cartridge
- Solid brass construction
- Triple-plated chrome finish.
- Triple-seal water supply system

# Index

---

## Toilets

---

### Elongated

31030 ..... 2  
31050 ..... 2  
31110 ..... 2  
31120 ..... 3  
31205 ..... 4

### Round Front

31060 ..... 2

### Square Front

31140 ..... 3  
31201 ..... 3  
31201-BLK ..... 3

### Toilet Seats

All of our toilets come with toilet seats

### Replacement Parts

..... 4-6



## 31030

**Bowl**  
Elongated

---

**Capacity**  
6L

---

Soft Close Seat Included

**Flush Style**  
Single

---



## 31050

**Bowl**  
Elongated

---

**Capacity**  
4.8L

---

Soft Close Seat Included

**Flush Style**  
Single

---



## 31060

**Bowl**  
Round Front

---

**Capacity**  
3 / 6L

---

Soft Close Seat Included

**Flush Style**  
Dual

---



## 31100

**Bowl**  
Elongated

---

**Capacity**  
5L

---

Soft Close Seat Included

**Flush Style**  
Single

---



## 31120

**Bowl**

Elongated

**Capacity**

4 / 6L

Soft Close Seat Included

**Flush Style**

Dual



## 31140

**Bowl**

Square Front

**Capacity**

6L

Soft Close Seat Included

**Flush Style**

Single



## 31201

**Bowl**

Square Front

**Capacity**

4.8L

Soft Close Seat Included

**Flush Style**

Single



## 31201-BLK

**Bowl**

Square Front

**Capacity**

4.8L

Soft Close Seat Included

**Flush Style**

Single

**Finish**

Matte Black

**11 | Toilets**  
**Replacement Parts**



## 31205

**Bowl**  
 Elongated

**Capacity**  
 4.8L

Soft Close Seat Included

**Flush Style**  
 Single

## Replacement Parts

Toilet Model	Component	Part #
31030	Flapper Seal	33050
	Flushing Lever/Handle	33060
	Seat	33025
	Flush valve	34005

Toilet Model	Component	Part #
31050	Flushing Lever/Handle	33061
	Seat	33020
	Flush valve	34000

Toilet Model	Component	Part #
31060	Flushing Push Button	33063
	Seat	33024
	Flush valve	34001

Toilet Model	Component	Part #
31070	Flushing Push Button	33063



## Replacement Parts

Toilet Model	Component	Part #
31080	Flushing Lever/Handle	33062
	Seat	33022
	Flush Valve	34003
Toilet Model	Component	Part #
31120	Flushing Push Button	33064
	Seat	33021
	Flush valve	34004
Toilet Model	Component	Part #
31140	Flushing Lever/Handle	33061
	Seat	33026
	Flush valve	34007
Toilet Model	Component	Part #
31150	Flushing Push Button	33063
	Seat	33027
	Flush valve	34014
Toilet Model	Component	Part #
31201	Flushing Push Button	33066
	Seat	33037
	Flush valve	34015
Toilet Model	Component	Part #
31201-BLK	Flushing Push Button	33066
	Seat	33038
	Flush valve	34015

## Replacement Parts

Toilet Model	Component	Part #
31205	Seat	33023
	Flush valve	34006

Toilet Model	Component	Part #
TB108	Seat	33028
	Flush valve	34008
	Tank Lid	33085

Toilet Model	Component	Part #
TB109	Seat	33029
	Flush valve	34009
	Tank Lid	33084

Toilet Model	Component	Part #
TB222	Seat	33033
	Flush valve	34010

Toilet Model	Component	Part #
TB326	Seat	33034
	Flush valve	34011

Toilet Model	Component	Part #
TB330	Seat	33035
	Flush valve	34012

Toilet Model	Component	Part #
TB346	Seat	33036
	Flush valve	34013

# Aging In Place Index

---

## Walk-In Baths

---

### Upgrades & Accessories

Upgrade Info.....	2
Upgrade Compatibility .....	3
Upgrade Options.....	4
Accessories.....	5

### Walk-In Baths

Dignity.....	7
Freedom .....	8
Independence 54 .....	9
Independence 60.....	10
Integrity with Hydraulic Seat.....	11
Nobility.....	12
Pride LH .....	13
Pride RH.....	14
Tranquility .....	15

## Shower Bases

---

### Shower Receptor

Pender .....	16
--------------	----

### Barrier Free Shower Bases

.....	17
End Drain.....	18

## Walk-In Bath Upgrades

---

### Chromatherapy

Immerse yourself within a sea of light created by a dual mini-light Chromatherapy system. Bathers can choose between red, orange, yellow, green, blue, turquoise, and magenta, or cycle through a range of 9 blended colours. Combine Chromatherapy with a massage system to create a total spa experience.

---

### Lateral Air

16 jets mounted around the perimeter of the bathing well infuse the water with a soothing stream of massaging bubbles. A ceramic heating core preheats the air as a 600-Watt Panasonic™ blower delivers a steady stream of warm air bubbles to the bather. Use the variable speed control pad to vary the intensity of the massage to your mood.

Enjoy peace of mind in knowing that all blowers are preprogrammed with an auto-drying cycle to clean and dry the system after every use.

---

### HydroMassage

The hydromassage is the most vigorous of all available upgrades, featuring a  $\frac{3}{4}$  hp high efficiency pump. Bath water circulates through 6 or more adjustable jets to deliver targeted massaging action with variable levels of intensity. Upgrade this massage system by adding additional jets or adding an in-line heater to help maintain your bath's water temperature.

---

### ComfortWarm™

ComfortWarm™ uses radiant heat technology to directly heat the surface of the bathtub's back-rest. Use the three heat settings to adjust the heat intensity at any time with a simple press of the electronic touchpad.

---

### VIBE Sound

The Vibe System allows you to enjoy your music or radio at the touch of a button in your shower or bathtub. The vibes of the music are synchronized with a Chromatherapy system that will change colors in synch with every beat of your favorite music.

---

### Aromatherapy

Only a few drops of fragrance are needed. The system works using a pump which leads the air towards the receptacle which is filled with a combination of water and a few essential oil drops. Once the aromatherapy system is turned on, the diffuser spreads the natural scent of the essential oil into the ambient air.

---

## Walk-In Bath Upgrade Compatibility

Products	Chromatherapy	LateralAir	HydroMassage	ComfortWarm™	VIBE Sound	Aromatherapy
Dignity	+	+	+	+	I or II	+
Freedom	+	+	+	+	I or II	+
Independence 54 / 60	+	+	+	+	I or II	+
Integrity	+	+	+	+	I or II	+
Nobility	+	+	+	+	I or II	+
Pride	+	+	+	+	I or II	+
Tranquility	+	+	+	+	I or II	+

**\*VIBE Sound I = Keypad, VIBE Sound II = Remote Control**

Please note for putting together multiple upgrades contact Acritec Customer Service at [customerservice@acritec.com](mailto:customerservice@acritec.com).

## Walk-In Bath Upgrade Options

### Lateral Air

#### 16 Jet Air System

- White	00021
- Brushed Nickel	00023
- Polished Chrome	00024
- Remote control for air blower	00133
- Remote Location kit for air blower (12' extra cable & hose)	00131

<b>Variable Air Blower</b> (Replacement)	00180
--	-------



### HydroMassage

#### 6 Jet HydroMassage System

- White	00101
- Polished Chrome	00104

#### 8 Jet HydroMassage System

- White	00111
- Polished Chrome	00114

#### Add 1x HydroMassage Jet

- White	00151
- Polished Chrome	00154

<b>Inline HydroMassage Heater</b>	00171
-----------------------------------	-------

<b>110V 3/4HP Pump</b> (Replacement)	00260
--------------------------------------	-------

<b>Custom Jet System</b>	00155
--------------------------	-------

<b>Sound Deadening Pump Pad</b>	00160
---------------------------------	-------



### Chromatherapy Lights

	Part #
2 x White Finish	01020
2 x Chrome Finish	01021



### ComfortWarm™

<b>1x ComfortWarm™ Heated Backrest</b> (70W)	01040-01
--	----------

<b>2x ComfortWarm™ Heated Backrests</b> (2x35W)	01040-02
---	----------

## Walk-In Bath Upgrade Options

<b>VIBE Sound System</b>	
<b>VIBE I + Chromotherapy Lights</b>	
2x Speakers + 2x Chromotherapy Lights ( <b>White Finish</b> ) + <b>Advanced Keypad</b>	01022
2x Speakers + 2x Chromotherapy Lights ( <b>Chrome Finish</b> ) + <b>Advanced Keypad</b>	01023
<b>VIBE II + Chromotherapy Lights (For Most Freestanding Tubs)</b>	
2x Speakers + 2x Chromotherapy Lights ( <b>White Finish</b> ) + <b>Remote Control</b>	01024
2x Speakers + 2x Chromotherapy Lights ( <b>Chrome Finish</b> ) + <b>Remote Control</b>	01025
<b>Aromatherapy System</b>	
Diffuser System + Keypad	01030



## Aging In Place Accessories

<b>Accessories</b>	<b>Part #</b>
<b>Grab Bar - 6" (Installed)</b>	
- Clear / Gold Inserts	01002
- White	01003
<b>Grab Bar - 10" (Installed)</b>	
- Chrome	01004
<b>144" Plastic Tiling Flange (Part Only)</b>	02040
<b>144" Plastic Tiling Flange (Factory Installed)</b>	02040.02050
<b>64" Plastic Tiling Flange (Part Only)</b>	02041
<b>64" Plastic Tiling Flange (Factory Installed)</b>	02041.02050
<b>78" Aluminum Tiling Flange (Part Only)</b>	02042
<b>78" Aluminum Tiling Flange (Factory Installed)</b>	02042.02050
<b>Collapsible Threshold (For Barrier Free Showers)</b>	05010
<b>End Caps for Collapsible Threshold (Barrier Free Showers)</b>	05011
<b>Lateral Air Accessories</b>	
Remote Location kit for air blower (12' extra cable & hose)	00131
Remote control for air blower	00133



## 08010

Pillow | Contoured | Compatible with all Acritec baths

---

**Dimensions**

11  $\frac{7}{8}$ " x 4  $\frac{3}{8}$ "

---

**Colour**

Black

---



## 08012

Pillow | Premium | Compatible with all Acritec baths

---

**Dimensions**

11  $\frac{1}{2}$ " x 6  $\frac{1}{2}$ "

---

**Colour**

Black

---



## 08014

Pillow | Contoured | For baths with rounded backrests

---

**Dimensions**

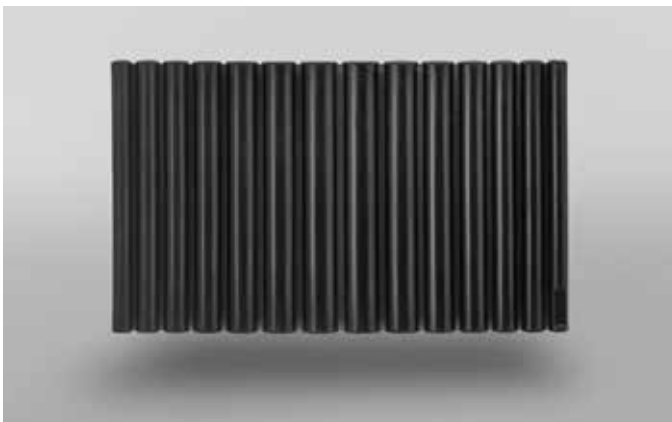
11  $\frac{1}{2}$ " x 3  $\frac{1}{8}$ "

---

**Colour**

Black

---



## 08016

Pillow | Premium | Compatible with all Acritec baths

---

**Dimensions**

15  $\frac{3}{4}$ " x 10  $\frac{1}{4}$ "

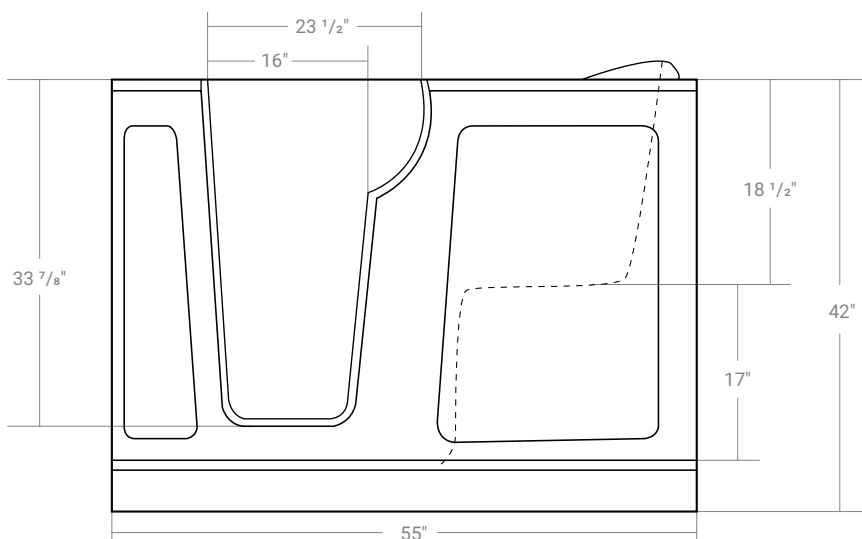
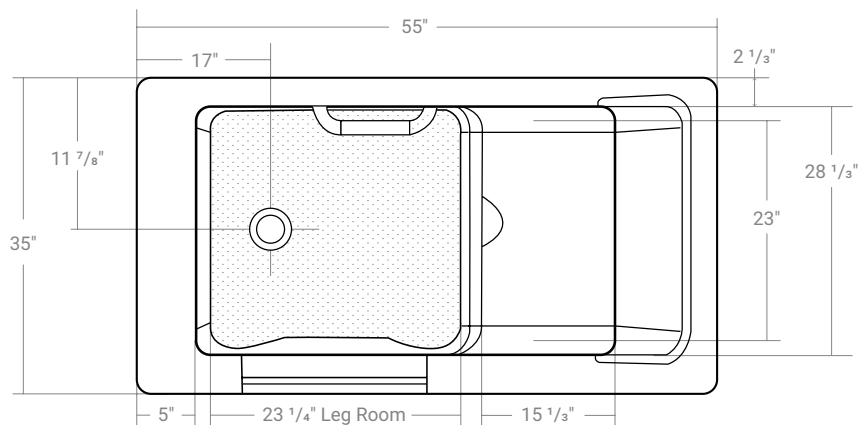
---

**Colour**

Black

---





## Dignity

Extendable to 60" (Kit Included)

1 x End Panel (**Part #** 09012)

### Part #

**LH - 70081**

**RH - 70082**

### Dimensions

55" x 35" x 42"

### Features

- Contoured built-in seat
- Stainless steel handle
- Textured bottom
- Deep bathing well
- Adjustable levelling feet
- Drains included

### Upgrades (See pg. 2-6 for details)

- Chromatherapy
- Lateral Air
- HydroMassage
- ComfortWarm™
- VIBE Sound
- Aromatherapy

## 12 | Aging In Place Walk-In Baths



### Freedom

Extendable to 60" (Kit Included)

1 x End Panel (**Part #** 09010)

#### Part #

LH - 70051

RH - 70055

#### Dimensions

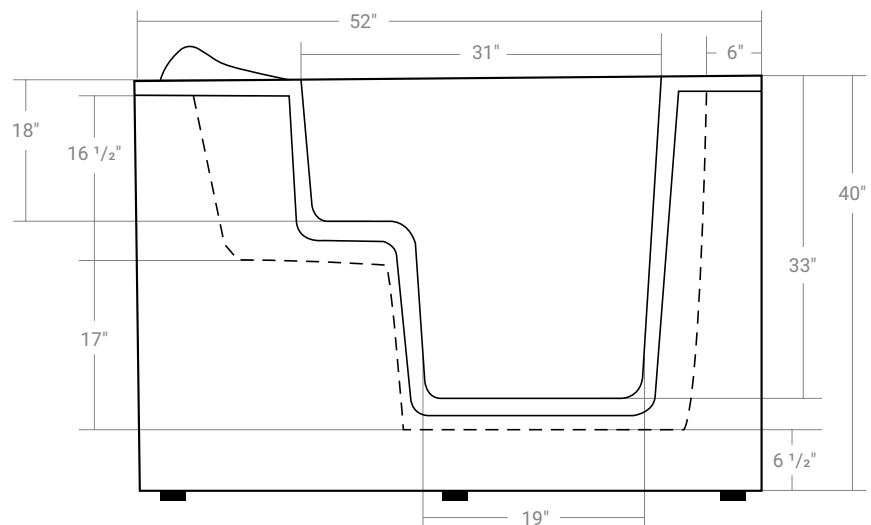
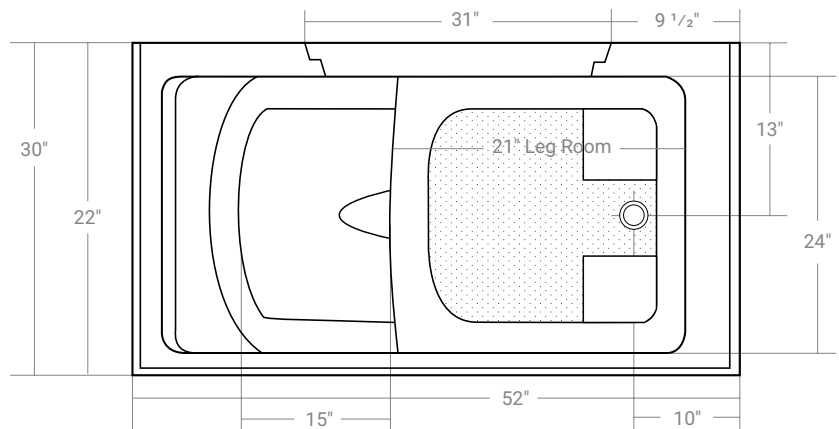
52" x 30" x 40"

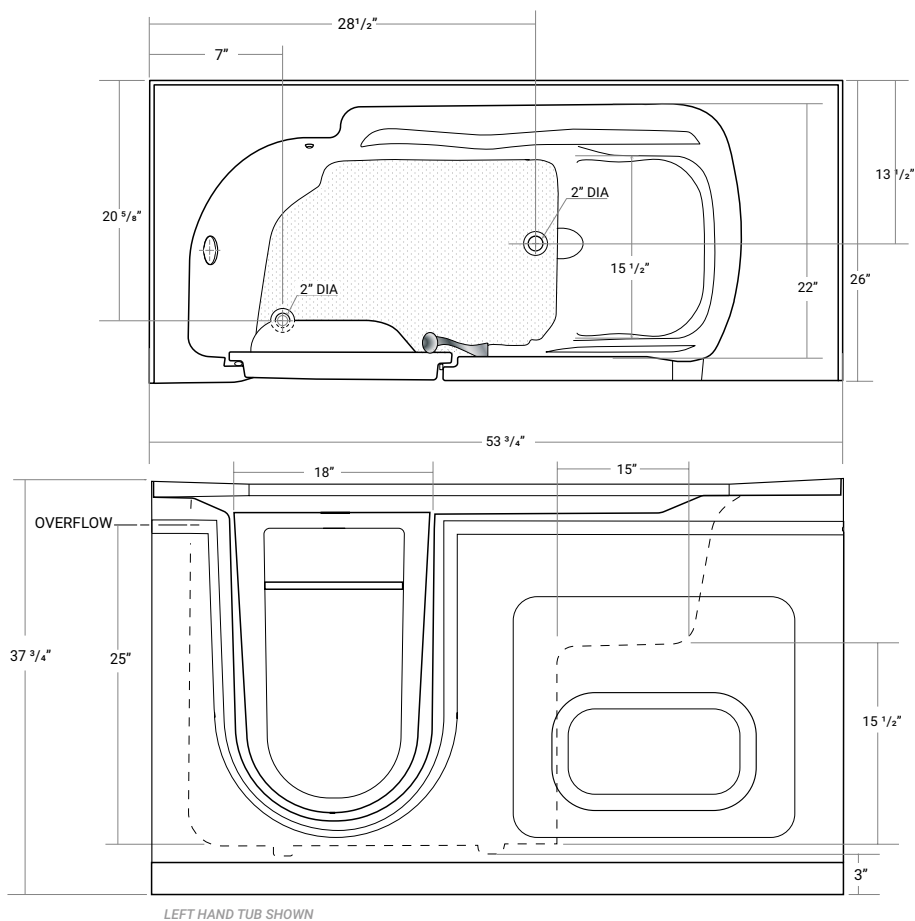
#### Features

- Contoured built-in seat
- Stainless steel handle
- Textured bottom
- Deep bathing well
- Adjustable levelling feet
- Drains included

#### Upgrades (See pg. 2-6 for details)

- Chromatherapy
- Lateral Air
- HydroMassage
- ComfortWarm™
- VIBE Sound
- Aromatherapy





## Independence 54

### Part #

LH - 70031

RH - 70041

### Dimensions

53 3/4" x 26" x 37 3/4"

### Features

- Contoured built-in seat
- Stainless steel grab bar
- Textured bottom
- Deep bathing well
- Adjustable levelling feet
- Drains included

### Upgrades (See pg. 2-6 for details)

- Chromatherapy
- Lateral Air
- HydroMassage
- ComfortWarm™
- VIBE Sound
- Aromatherapy

**12 | Aging In Place  
Walk-In Baths**



**Independence 60**

**Part #**

LH - 70011

RH - 70021

**Dimensions**

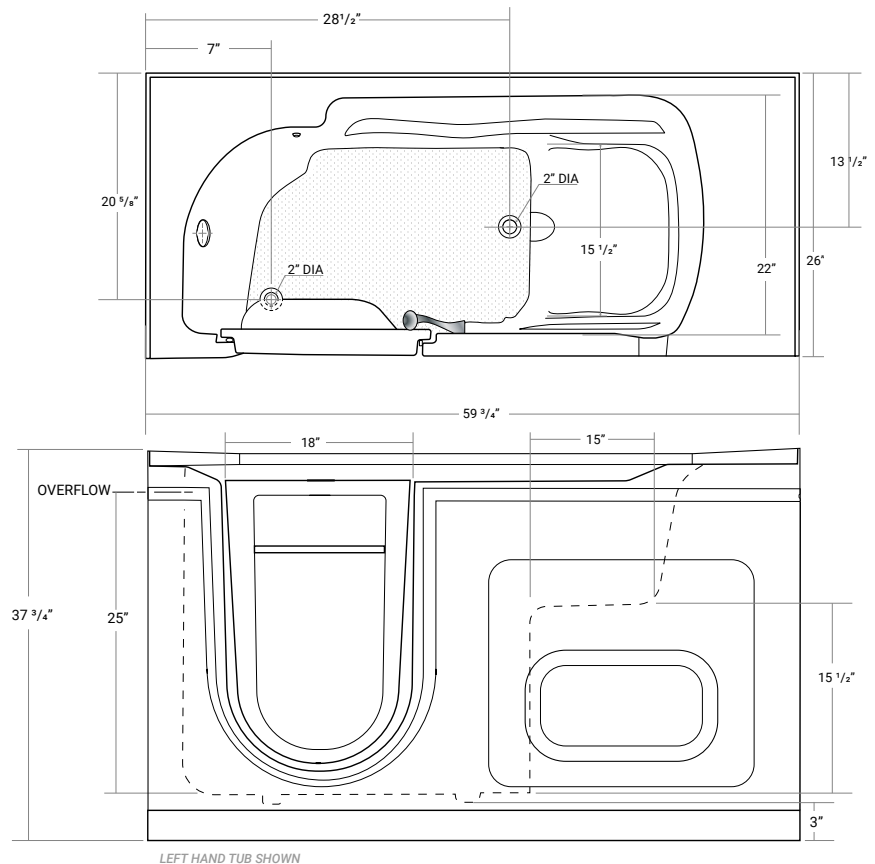
59 3/4" x 26" x 37 3/4"

**Features**

- Contoured built-in seat
- Stainless steel grab bar
- Textured bottom
- Deep bathing well
- Adjustable levelling feet
- Drains included

**Upgrades** (See pg. 2-6 for details)

- Chromatherapy
- Lateral Air
- HydroMassage
- ComfortWarm™
- VIBE Sound
- Aromatherapy





## Integrity with Hydraulic Seat

### Part #

LH - 71061

RH - 71062

### Dimensions

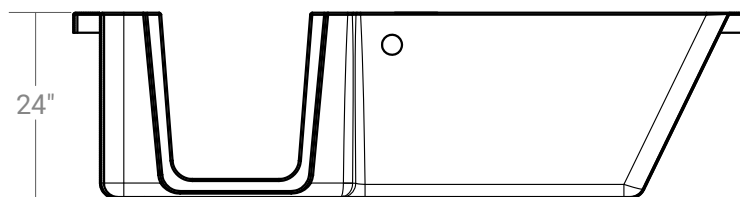
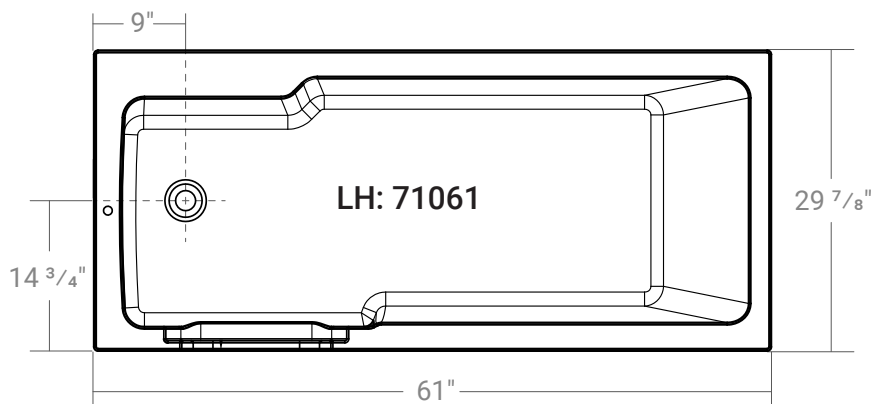
61" x 29 7/8" x 24"

### Features

- Left or right inward door swing
- Electric adjustable lift seat (Maximum weight 200kgs)
- Two press switches to control the adjustable lift seat

### Upgrades (See pg. 2-6 for details)

- Chromatherapy
- Lateral Air
- HydroMassage
- ComfortWarm™
- VIBE Sound
- Aromatherapy





## Nobility

### Part #

LH - 70091

RH - 70092

### Dimensions

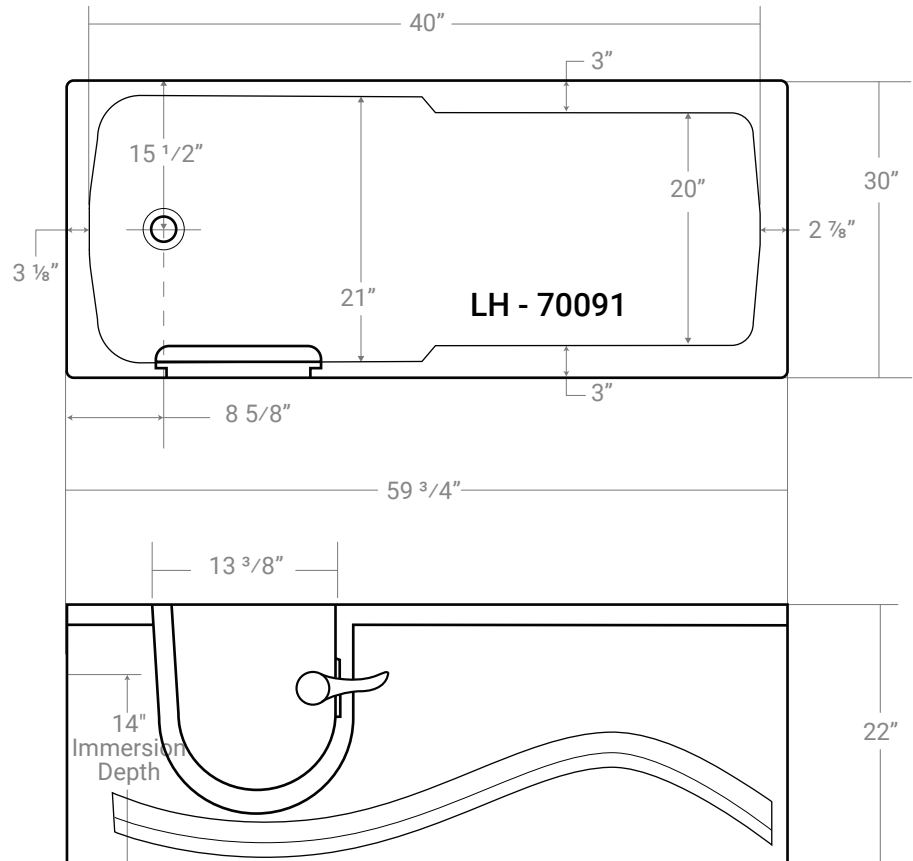
59 3/4" x 30" x 22"

### Features

- Contoured backrest
- Stainless steel handle
- Adjustable levelling feet

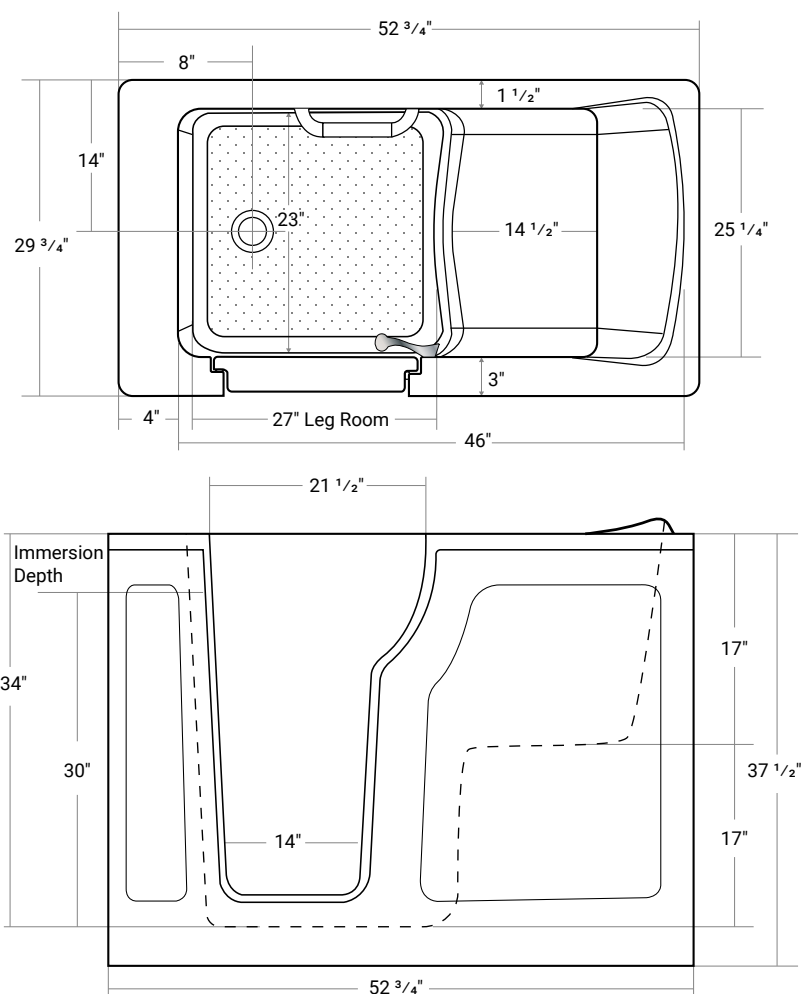
### Upgrades (See pg. 2-6 for details)

- Chromatherapy
- Lateral Air
- HydroMassage
- ComfortWarm™
- VIBE Sound
- Aromatherapy





Faucets not included



## Pride LH

Extendable to 60" (Kit Included)

1 x End Panel (**Part #** 09011)

**Part #**  
**LH - 70071**

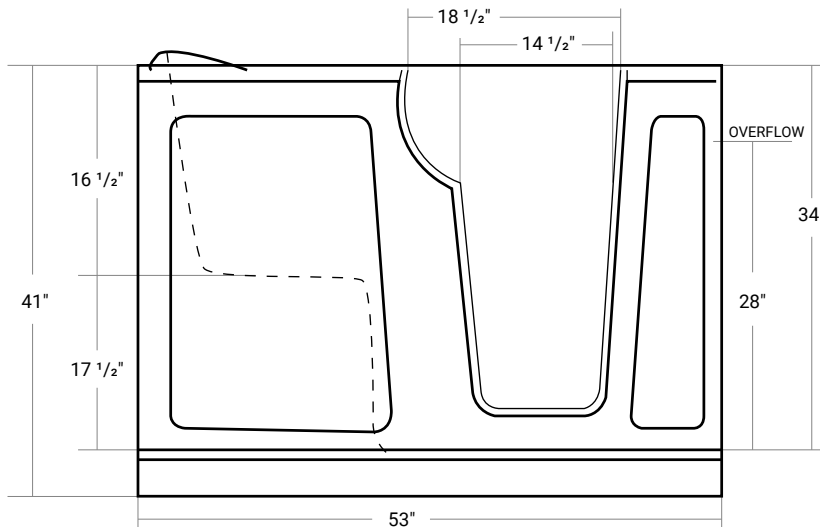
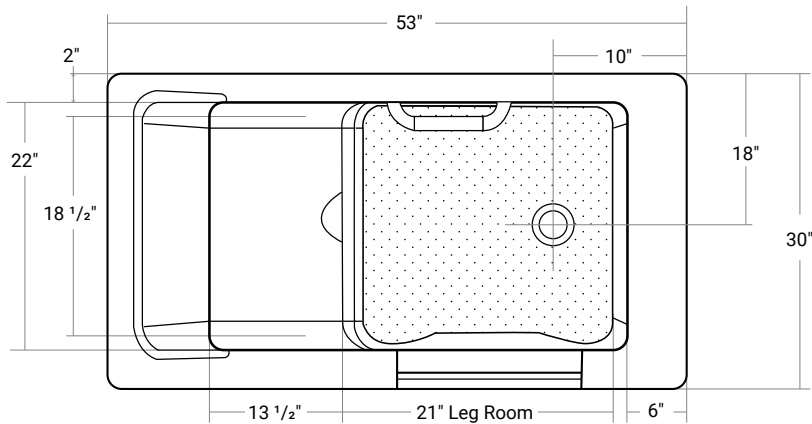
**Dimensions**  
52 <sup>3</sup>/<sub>4</sub>" x 29 <sup>3</sup>/<sub>4</sub>" x 37 <sup>1</sup>/<sub>2</sub>"

- Features**
- Contoured built-in seat
  - Stainless steel handle
  - Textured bottom
  - Deep bathing well
  - Adjustable levelling feet
  - Drains included

**Upgrades** (See pg. 2-6 for details)

- Chromatherapy
- Lateral Air
- HydroMassage
- ComfortWarm™
- VIBE Sound
- Aromatherapy

**12 | Aging In Place  
Walk-In Baths**



**Pride RH**

Extendable to 60" (Kit Included)

1 x End Panel (**Part #** 09011)

**Part #**  
**RH - 70075**

**Dimensions**  
53" x 30" x 41"

**Features**

- Contoured built-in seat
- Stainless steel handle
- Textured bottom
- Deep bathing well
- Adjustable levelling feet
- Drains included

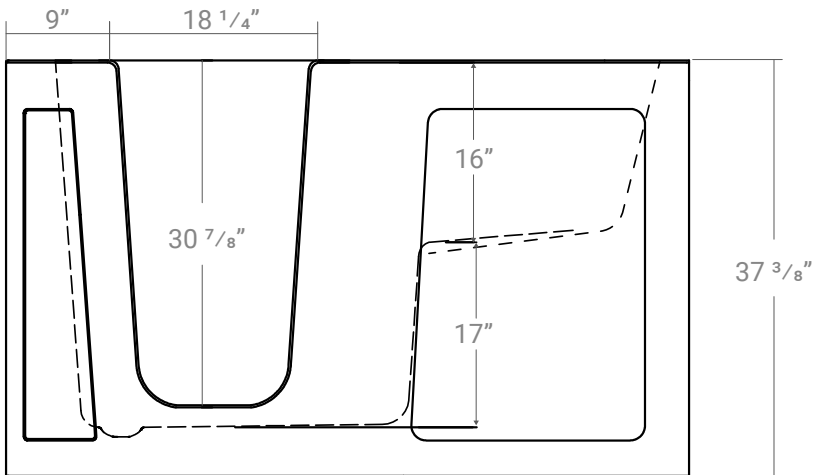
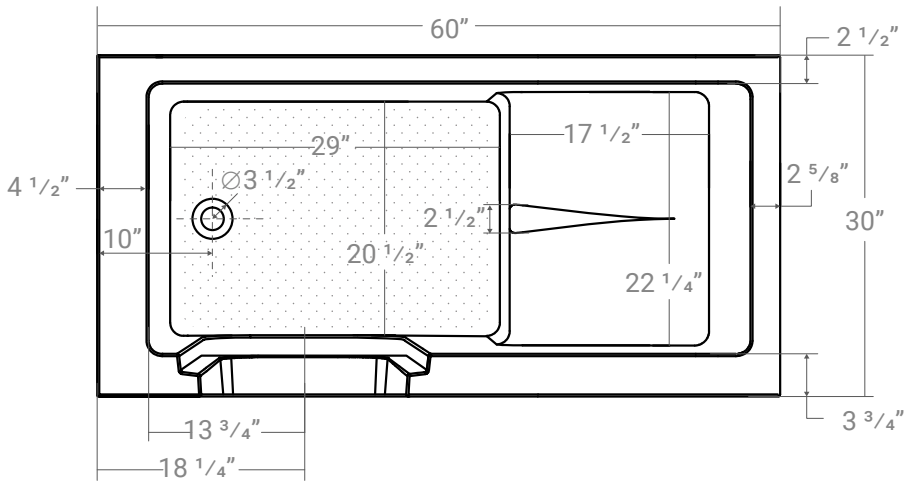
**Upgrades** (See pg. 2-6 for details)

- Chromatherapy
- Lateral Air
- HydroMassage
- ComfortWarm™
- VIBE Sound
- Aromatherapy





Faucets not included



## Tranquility

**Part #**

LH - 70093

RH - 70094

**Dimensions**

60" x 30" x 37 3/8"

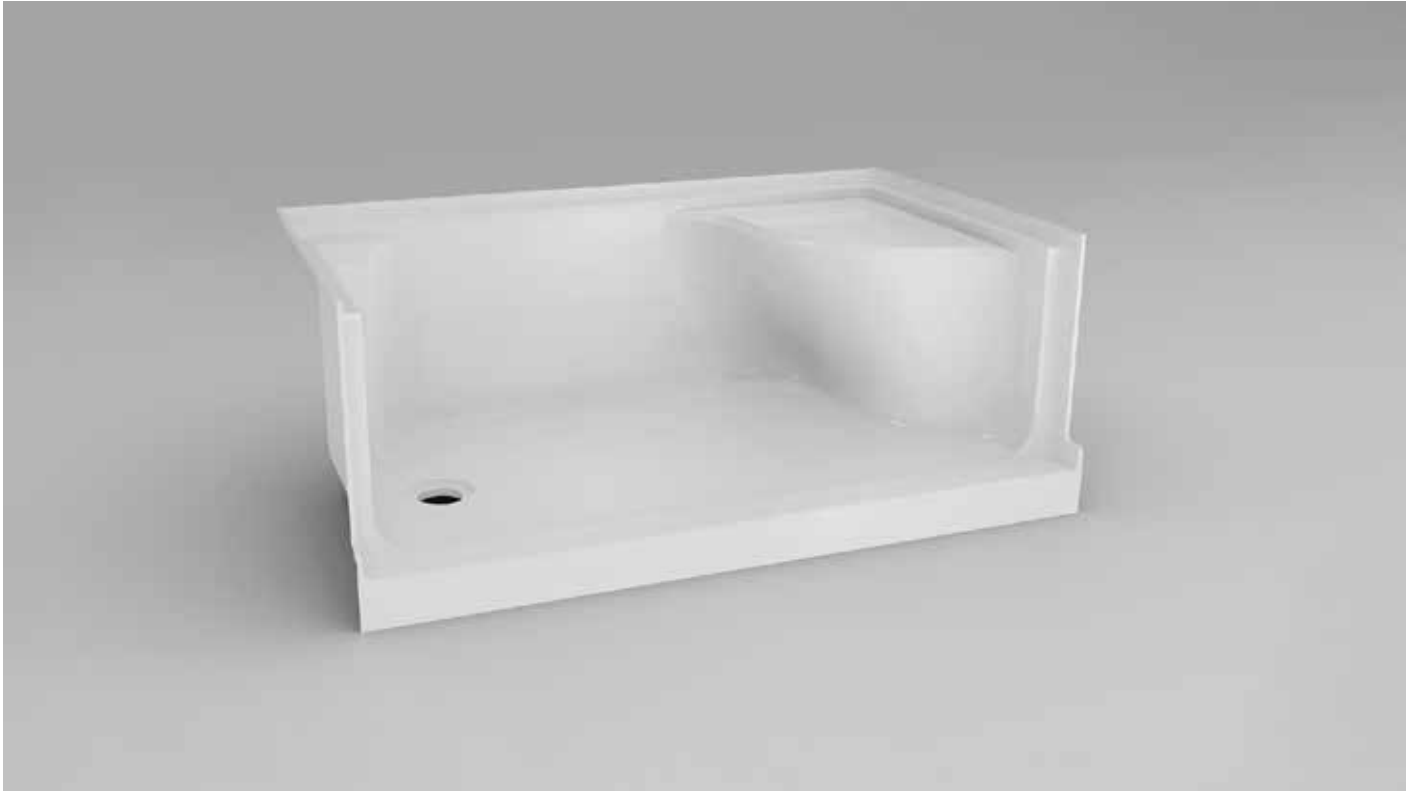
**Features**

- Contoured built-in seat
- Stainless steel handle
- Textured bottom
- Deep bathing well
- Adjustable levelling feet
- Drains included

**Upgrades** (See pg. 2-6 for details)

- Chromatherapy
- Lateral Air
- HydroMassage
- ComfortWarm™
- VIBE Sound
- Aromatherapy

**12 | Aging In Place  
Shower Bases**



**Pender**

Alcove | End Drain

Height: 22 1/2"

**Part #**

LH - 63612

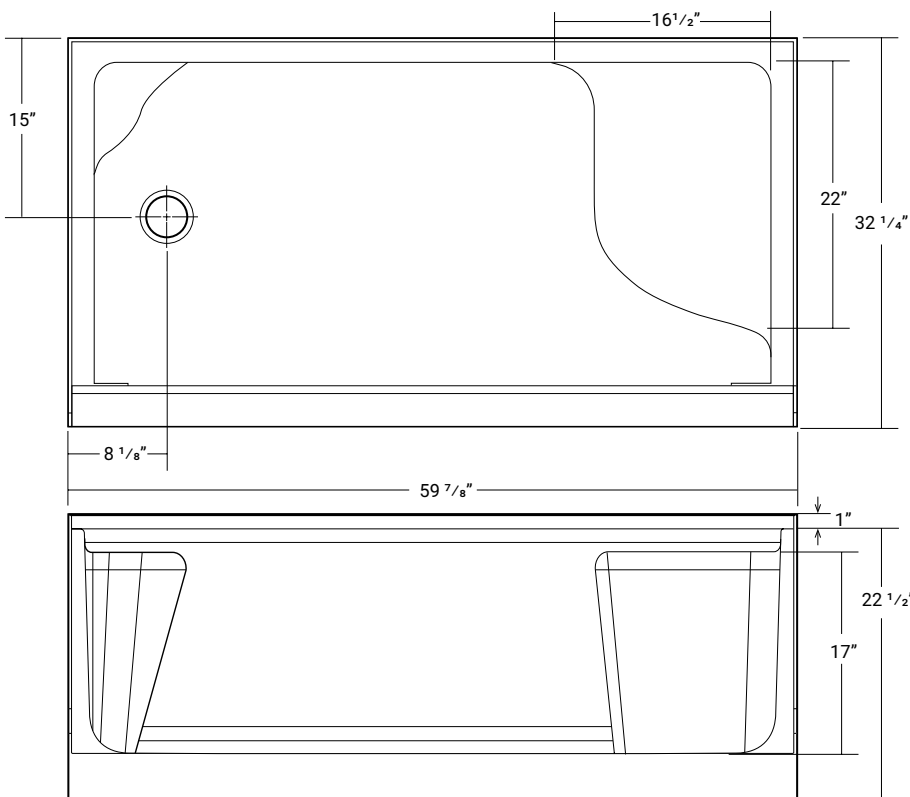
RH - 63613

**Features**

- 17" comfort height seat
- Soap shelf
- End drain
- Tradition bath replacement size
- Integral tiling flange

**Compatible Shower Door**

Abbott 60"	Part #
Chrome	57073
Matte Black	57074





## Barrier-Free

Single Threshold

Height: 2"

Dimensions (Width x Depth)	Part#
48 x 36	72011
48 x 38 NS	72021
48 x 42 NS	72031
48 x 48 NS	72041
54 x 36 NS	72051
60 x 32	72081
60 x 34 NS	72111
60 x 36	72121
60 x 38 NS	72131
60 x 40 NS	72141
60 x 42 NS	72151
Collapsible Threshold	05010
End Caps for Collapsible Threshold (Barrier Free Showers)	05011

NS: These sizes are made to order and are generally non-stocking items. Please allow for manufacturing time.  
NS models not returnable once ordered.

## 12 | Aging In Place Shower Bases



### Barrier-Free

Single Threshold | End Drain

Height: 2"

Dimensions (Width x Depth)	LH-Drain #	RH-Drain #
60" x 30"	72061	72071
60" x 32"	72091	72101
Collapsible Threshold		05010
End Caps for Collapsible Threshold (Barrier Free Showers)		05011

"Consult technical specifications for threshold heights and drain placements. Barrier free shower bases are not intended for installation with a shower door."