

# Freestanding Bath

## Installation Manual

---

### Important

- Thoroughly inspect your product for damage or defects before proceeding with the installation.
- All warranties are void if the product is installed with a defect.
- We recommend that this product is installed by a professional plumber.

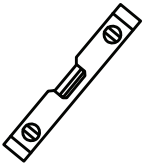
### Caution

- Ensure you have the most recent version of this manual by checking our website.
- Read all instructions carefully before starting the installation.
- Save this manual for future reference.

# Tools Needed

## General Installation

---



Level



Silicone  
Caulking



Pencil



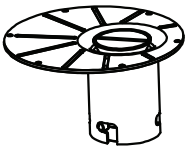
Tape  
Measure



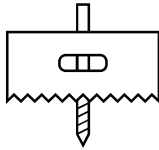
ABS Glue

## Other Recommended Tools

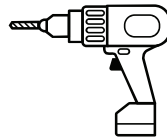
---



**Roughin EZ**  
(Product #01086)



4" Hole Saw



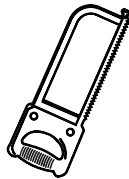
Drill



1-1/2" ABS  
(Not Included)



**Lubricant**  
(Included w/  
product #01086)



Saw



Channel Locks

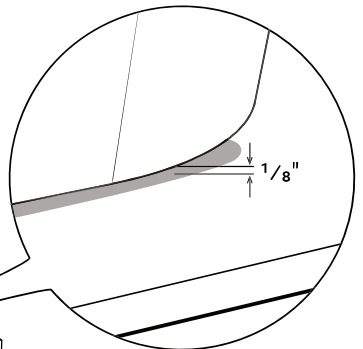
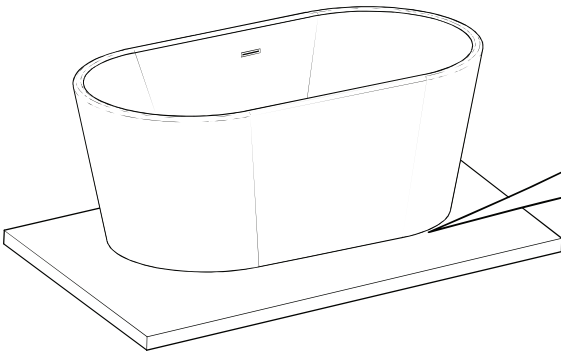
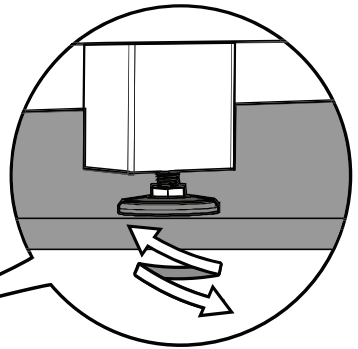
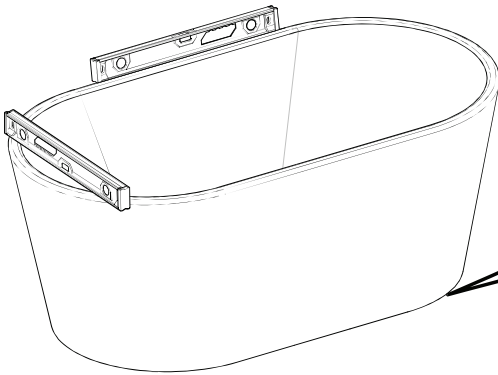


Screws

# Step 1

## Adjust the levelling legs

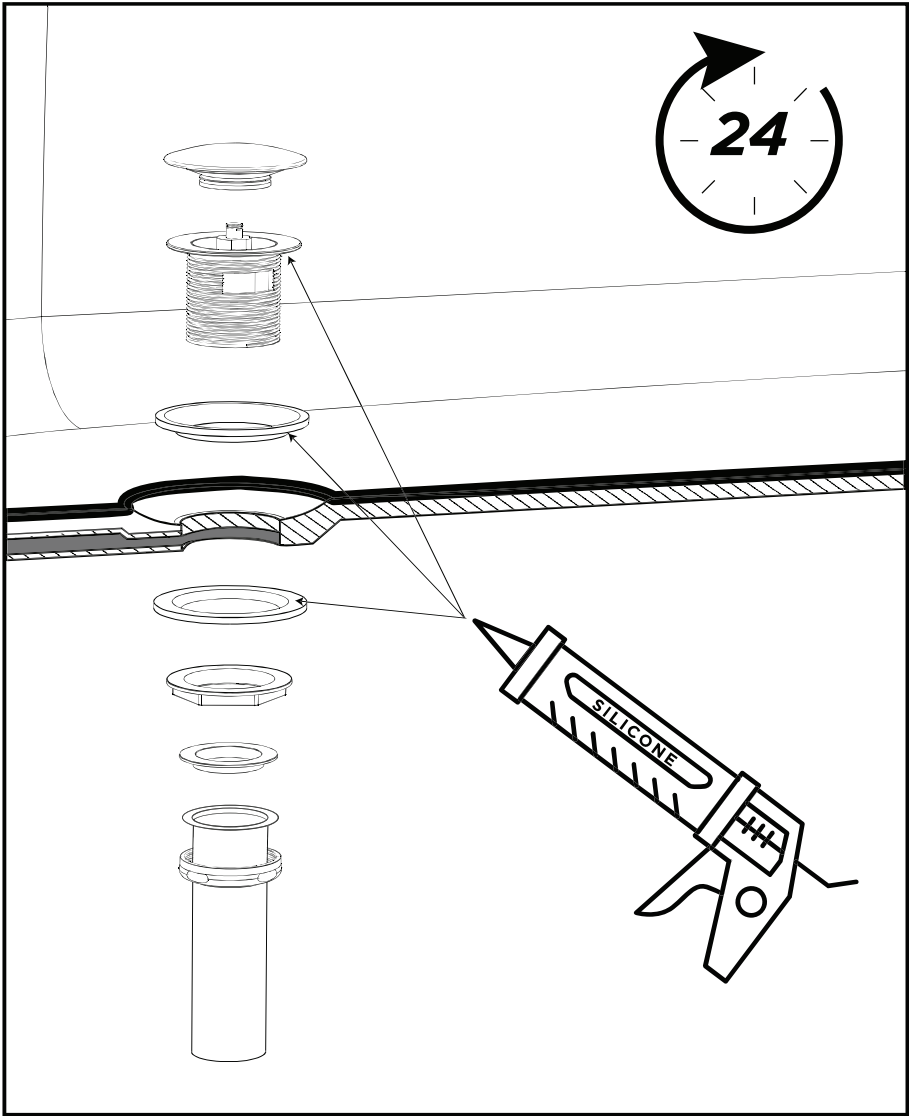
Remove the bathtub from its packaging. Turn the bathtub over and adjust the levelling legs so that the bathtub is level and the skirt sits **1/8" (3mm)** above the ground. The skirt **should not** rest on the floor.



# Step 2

## Install the drain assembly

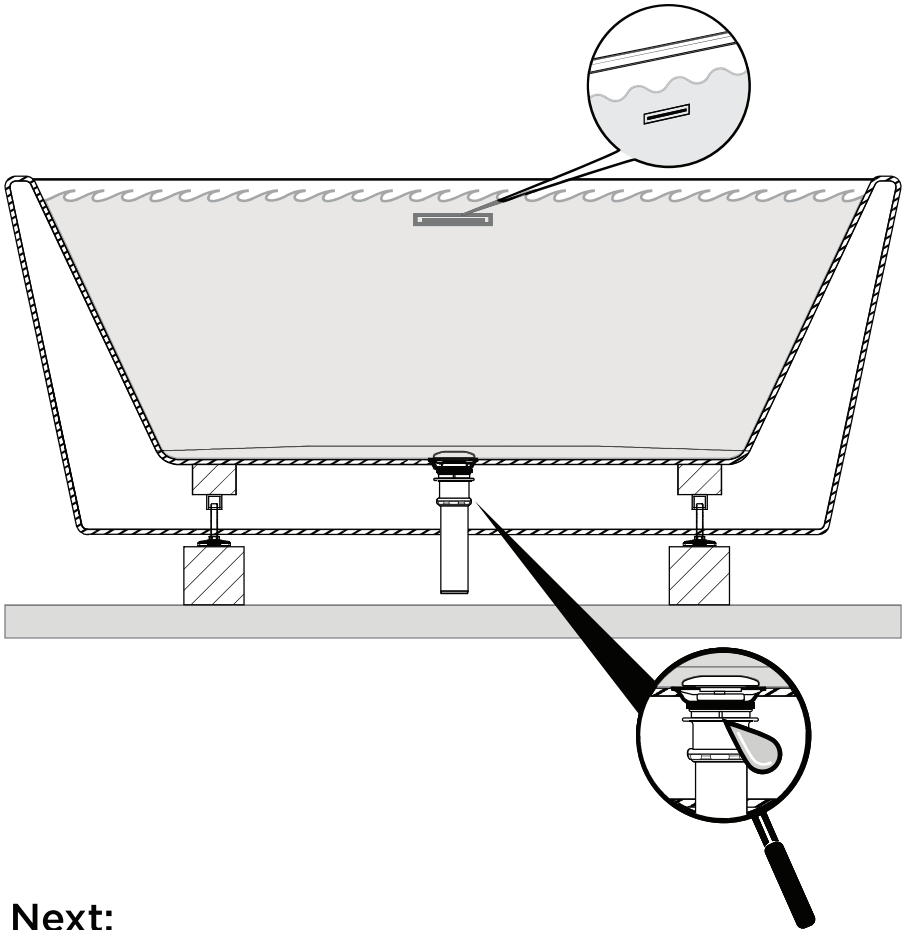
Install the bathtub drain. Ensure to apply silicone to the top rim of the drain as well as the lower gaskets. Silicone is required on both the top and bottom to create a watertight seal.



## Step 3

Water test the drain and overflow

Elevate the bath by blocking under the legs and water test the drain and overflow. Check for water leaks and ensure proper drainage.



**Next:**

### Using the RoughIN-EZ from Acritec?

Please refer to the Roughin-EZ installation instructions and then proceed to step #4.

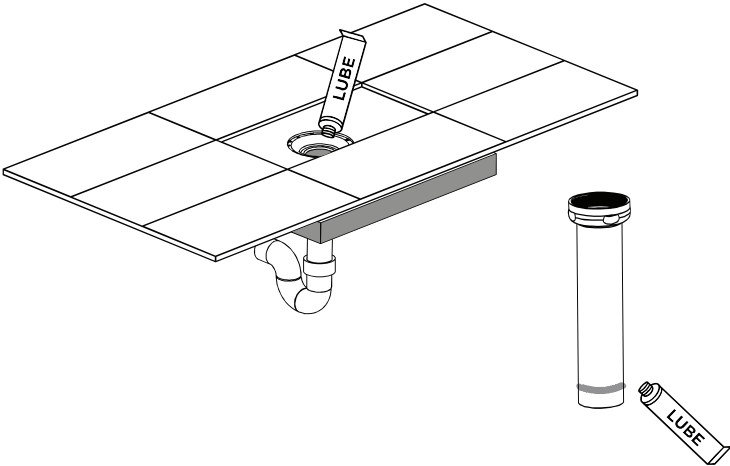
### Directly connecting the P-Trap to the drain assembly?

Connect your plumbing and proceed to step #6.

# Step 4

Lubricate the tail piece and EZ Drain assembly

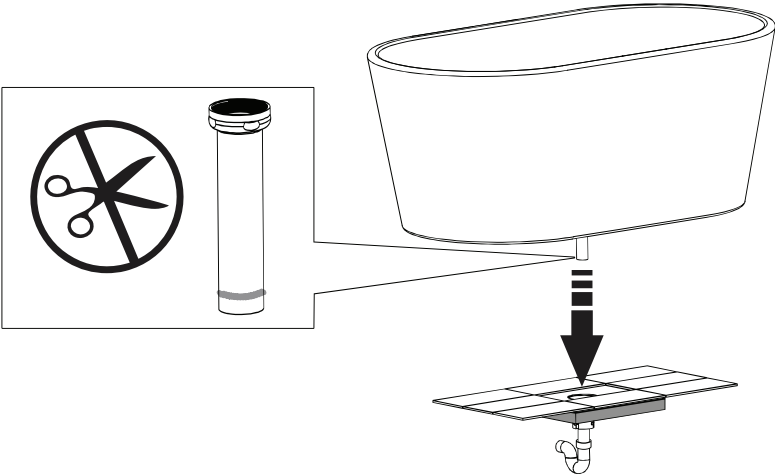
---



# Step 5

Place the bath onto the EZ Drain assembly

---

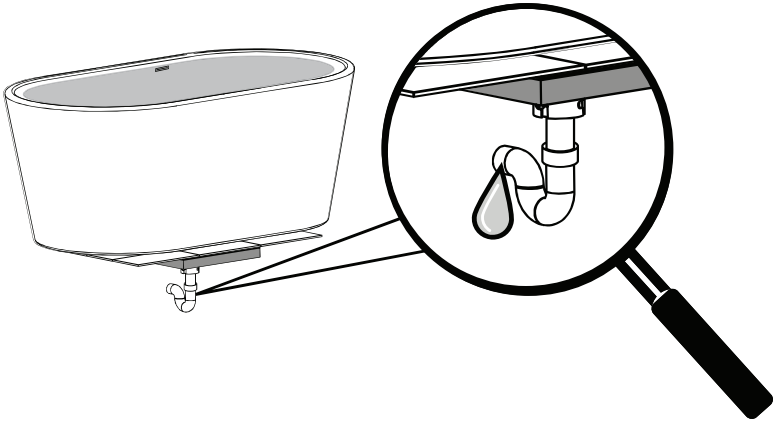


## Step 6

### Water Test: Check all plumbing connections for leaks

---

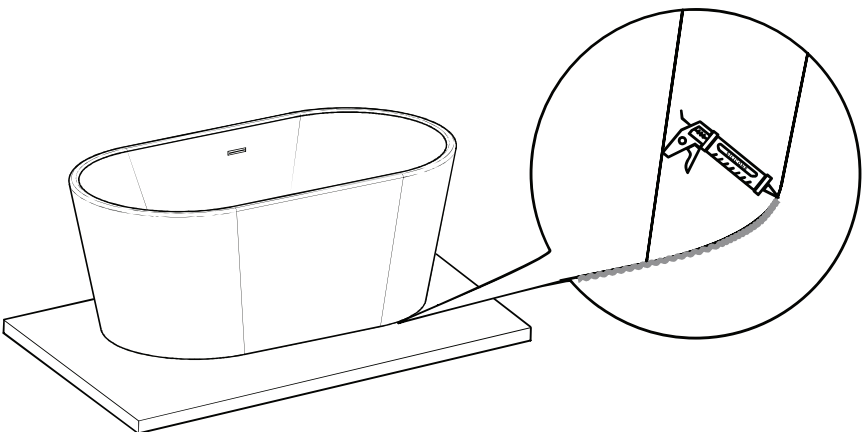
Ensure the drain pipe is properly connected, and verify the bath is level. Adjust the levelling legs as required. Fill the bathtub and do a drainage test to ensure the bath drains properly. Check for and correct any water leaks.



## Step 7

### Seal around the base of the tub with silicone sealant

---



## **ROUTINE CARE & CLEANING**

Your bathtub is made from cast acrylic or gel-coat and will maintain its superior finish and beauty for many years with minimal care.

The instructions below are designed to assist you in keeping your tub looking “new”.

### **Follow these simple steps:**

For normal care and cleaning use a soft cloth or sponge with soap and water. Rinse well and dry with soft clean cloth.

### **Never use abrasive cleaners.**

Clean grease, oil, paint and ink stains with a dab of isopropyl (rubbing) alcohol. Rinse well with water and dry with a soft clean cloth.

Do not allow your acrylic surface to come into contact with nail polish, nail polish remover, Wintergreen oil, dry cleaning solution, lacquer thinners, gasoline, pine oil, all essential oils, etc.

Avoid placing razor blades or other sharp instruments on the bathtub surface as they may scratch it.

To remove joint / drywall compound, use a plastic or wood spatula covered with a damp cloth.

If a rubber bathmat is used during showering/ bathing, it must be removed immediately after each use. Leaving the bathmat in the bathtub after use will damage the acrylic surface.

Periodic cleaning using a specially formulated acrylic cleanser such as Gel-Gloss is recommended to thoroughly clean the surface and apply a protective coating. This will help maintain the high luster of the acrylic finish.



## **SCRATCHED / DAMAGED SURFACES**

Small scratches can be removed by buffing lightly with a clean cloth and using either an automotive polishing liquid or toothpaste containing a fine polishing ingredient.

For deeper scratches, sand the surface lightly with 600 grit “wet or dry” paper and a generous amount of water. Once the scratch has been sanded away, progress through 800 and then 1200 grit “wet or dry” sand paper while continually refreshing the water.

Finish all repairs by buffing the area back to a glossy finish by using a clean cloth and automotive polishing compound or Acri-tec’s specially formulated acrylic polishing compound.

## **MAJOR REPAIRS**

For more extensive damage, such as deep chips, scratches or cracks, please contact Acri-tec directly with a photo of the damaged area.

Our customer service team will help you determine the most appropriate method to repair the area.

**SALES & WARRANTY INFO:**

**Toll free:** 1.877.464.3100

**Tel:** 604.607.0856

**Fax:** 604.607.0857

**Email:** info@acritec.com

**Website:** www.acritec.com



**CONDITIONS APPLICABLE TO ACRI-TEC'S WARRANTY**

1. The warranty card must be returned to Acri-tec within 30 days from installation.
2. The product must be installed and maintained in accordance with the installation, operation and maintenance instructions provided.
3. Misuse or abuse of product is not covered under warranty.
4. Acri-tec's warranty is limited to the supply of a replacement product of comparable size and style. It does not include any cost of transport, removal or installation.
5. Colour fading is not a material defect.
6. Acri-tec is not responsible for everyday wear or tear that may occur.
7. Under no circumstance shall Acri-tec be liable for any direct, or consequential loss, or damage arising out of the use of this product.
8. The plumbing fixtures must be tested prior to final installation to ensure no leaks have resulted from shipping and handling.
9. Except as expressly provided, there shall be no Warranty or obligation, expressed or implied, oral or statutory, and in no event shall Acri-tec, its agents or employees be liable for injury to any person, for any claim of damage, however arising.

**SALES & WARRANTY INFO:**

**Toll free:** 1.877.464.3100

**Tel:** 604.607.0856

**Fax:** 604.607.0857

**Email:** info@acritec.com

**Website:** www.acritec.com



NAME \_\_\_\_\_

ADDRESS \_\_\_\_\_

CITY \_\_\_\_\_

PROVINCE \_\_\_\_\_ POSTAL CODE \_\_\_\_\_

E-MAIL ADDRESS \_\_\_\_\_

BATHTUB SERIAL # \_\_\_\_\_

MODEL # \_\_\_\_\_

DATE OF PURCHASE \_\_\_\_\_

INSTALLATION DATE \_\_\_\_\_

INSTALLER \_\_\_\_\_

PLEASE CHECK THE APPROPRIATE BOX:

NEW CONSTRUCTION

RENOVATION

WHERE WAS YOUR ACRI-TEC PRODUCT PURCHASED ?

STORE \_\_\_\_\_

CITY \_\_\_\_\_



**Acritec Industries Corp.**

27049 Gloucester Way  
Langley, B.C. V4W 3Y3

**Tel:** 604.607.0856

**Fax:** 604.607.0857

**Email:** [info@acritec.com](mailto:info@acritec.com)

**Website:** [www.acritec.com](http://www.acritec.com)